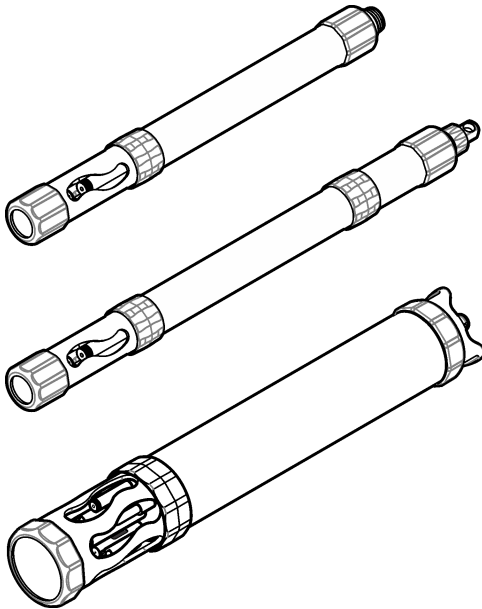




DOC026.97.80348

HL Series Sonde

04/2017, Edition 2



User Manual
Bedienungsanleitung
Manuale d'uso
Manuel d'utilisation
Manual de usuario
Manual do Usuário
用户手册
取扱説明書
Instrukcja obsługi

English	3
Deutsch	27
Italiano	53
Français	78
Español	104
Português	129
中文	155
日本語	177
Polski	202

Table of contents

[Specifications](#) on page 3

[General information](#) on page 4

[Startup](#) on page 8

[Operation](#) on page 11

[Maintenance](#) on page 19

[Troubleshooting](#) on page 23

[Replacement parts and accessories](#) on page 23

Specifications

Specifications are subject to change without notice.

Specification	Details
Dimensions	<p>HL4: \varnothing 4.44 cm (1.75 in.) without rubber bumpers; \varnothing 5.33 cm (2.1 in.) with rubber bumpers. Length—51.43 cm (20.25 in.) with no internal battery pack and standard sensor guard; 66.36 cm (26.125 in.) with no internal battery pack and extended sensor guard; 62.23 cm (24.5 in.) with internal battery pack and standard sensor guard; 77.787 cm (30.625 in.) with internal battery pack and extended sensor guard</p> <p>HL7: \varnothing 8.9 cm (3.5 in.) without rubber bumpers; \varnothing 9.6 cm (3.78 in.) with rubber bumpers. Length—66.4 cm (26.1 in.)</p>
Weight	<p>HL4: 2.2 kg (5 lb) with internal battery pack, one D-cell battery and storage/calibration cup with no liquid</p> <p>HL7: 4.5 kg (10 lb) with four D-cell batteries, storage/calibration cup with no liquid</p>
Power requirements	<p>HL4: 6–24 VDC (12 VDC nominal) applied to the communications module, 12 VDC: 250 mW average, 18 W peak</p> <p>HL7: 6–24 VDC (12 VDC nominal) applied to the communications module, 12 VDC: 2.0 W average, 24 W peak</p>
Internal battery pack ¹	<p>HL4: One internal alkaline D-cell battery, non-rechargeable. Approximately 75 days of use with a 15-minute logging interval and the default warm-up time with depth, temperature, conductivity, pH and LDO sensors installed and at room temperature.</p> <p>HL7: Four internal alkaline D-cell batteries, non-rechargeable. Approximately 90 days of use with a 15-minute logging interval and the default warm-up time with temperature, conductivity, pH, LDO, chlorophyll a, blue-green algae (fresh water) and turbidity sensors installed, a central cleaning brush set to do one revolution and the sensors at room temperature.</p>
Operating temperature ²	–5 to 50 °C (23 to 122 °F), non-freezing
Storage temperature	1 to 50 °C (34 to 122 °F)
Depth	200 m (656 ft) maximum <i>Note: Some sensors cannot be used at 200 m (656 ft). Refer to the sensor documentation for the sensor depth specifications.</i>
Tensile strength (maximum)	Mooring cap: 68 kg (150 lb); deployment cable: 227 kg (500 lb)
Sensors	<p>HL4: Temperature sensor, four external sensor ports and optional internal depth sensor</p> <p>HL7: Temperature sensor, seven external sensor ports and optional internal depth sensor</p> <p>Refer to the sensor documentation for sensor specifications.</p>
Communications	Communications module: USB, SDI-12, RS232 Modbus, RS485 Modbus and RS232 TTY

¹ Optional for the HL4

² Operation outside of this temperature range can result in mechanical damage or faulty electronic performance.

Specification	Details
Logging	4 GB of internal memory ³ ; 1 second interval minimum
Certification	CE marked. Other certifications are subject to change. Contact the manufacturer.

General information

In no event will the manufacturer be liable for direct, indirect, special, incidental or consequential damages resulting from any defect or omission in this manual. The manufacturer reserves the right to make changes in this manual and the products it describes at any time, without notice or obligation. Revised editions are found on the manufacturer's website.

Safety information

NOTICE

The manufacturer is not responsible for any damages due to misapplication or misuse of this product including, without limitation, direct, incidental and consequential damages, and disclaims such damages to the full extent permitted under applicable law. The user is solely responsible to identify critical application risks and install appropriate mechanisms to protect processes during a possible equipment malfunction.

Please read this entire manual before unpacking, setting up or operating this equipment. Pay attention to all danger and caution statements. Failure to do so could result in serious injury to the operator or damage to the equipment.

Make sure that the protection provided by this equipment is not impaired. Do not use or install this equipment in any manner other than that specified in this manual.

Use of hazard information

▲ DANGER

Indicates a potentially or imminently hazardous situation which, if not avoided, will result in death or serious injury.

▲ WARNING

Indicates a potentially or imminently hazardous situation which, if not avoided, could result in death or serious injury.

▲ CAUTION

Indicates a potentially hazardous situation that may result in minor or moderate injury.



NOTICE

Indicates a situation which, if not avoided, may cause damage to the instrument. Information that requires special emphasis.

Precautionary labels

Read all labels and tags attached to the instrument. Personal injury or damage to the instrument could occur if not observed. A symbol on the instrument is referenced in the manual with a precautionary statement.

³ Sufficient memory to keep 5 years of continuous measurements with a 15-minute logging interval

	This symbol, if noted on the instrument, references the instruction manual for operation and/or safety information.
	Electrical equipment marked with this symbol may not be disposed of in European domestic or public disposal systems. Return old or end-of-life equipment to the manufacturer for disposal at no charge to the user.

Certification

Canadian Radio Interference-Causing Equipment Regulation, IECIS-003, Class A:

Supporting test records reside with the manufacturer.

This Class A digital apparatus meets all requirements of the Canadian Interference-Causing Equipment Regulations.

Cet appareil numérique de classe A répond à toutes les exigences de la réglementation canadienne sur les équipements provoquant des interférences.

FCC Part 15, Class "A" Limits

Supporting test records reside with the manufacturer. The device complies with Part 15 of the FCC Rules. Operation is subject to the following conditions:

1. The equipment may not cause harmful interference.
2. The equipment must accept any interference received, including interference that may cause undesired operation.

Changes or modifications to this equipment not expressly approved by the party responsible for compliance could void the user's authority to operate the equipment. This equipment has been tested and found to comply with the limits for a Class A digital device, pursuant to Part 15 of the FCC rules. These limits are designed to provide reasonable protection against harmful interference when the equipment is operated in a commercial environment. This equipment generates, uses and can radiate radio frequency energy and, if not installed and used in accordance with the instruction manual, may cause harmful interference to radio communications. Operation of this equipment in a residential area is likely to cause harmful interference, in which case the user will be required to correct the interference at their expense. The following techniques can be used to reduce interference problems:

1. Disconnect the equipment from its power source to verify that it is or is not the source of the interference.
2. If the equipment is connected to the same outlet as the device experiencing interference, connect the equipment to a different outlet.
3. Move the equipment away from the device receiving the interference.
4. Reposition the receiving antenna for the device receiving the interference.
5. Try combinations of the above.

Product overview

NOTICE

Do not use the HL series sonde in water that contains contamination that will cause damage to the sensors or the housing (e.g., extreme acids or bases, high concentrations of organic solvents, oil/grease, toxic metals or radioactive waters).

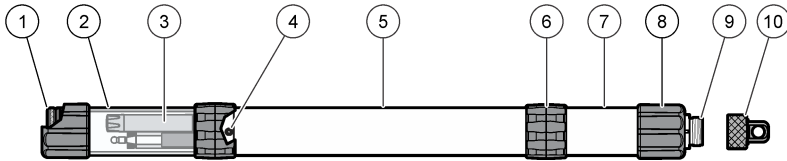
The HL series sonde is used for spot measuring or unattended monitoring of environmental water sources (fresh and salt water). Refer to [Figure 1](#) and [Figure 2](#). The parameters measured by the sonde are identified on the sonde and the sensor settings screen of the Hydrolab Operating Software.

The HL4 sonde has a temperature sensor, four external sensor ports and an optional internal depth sensor. The four external sensor ports can include a maximum of four different sensors.

The HL7 sonde has a temperature sensor, seven external sensor ports and an optional internal depth sensor. The seven external sensor ports can include a maximum of seven different sensors or six different sensors and the optional central cleaning brush.

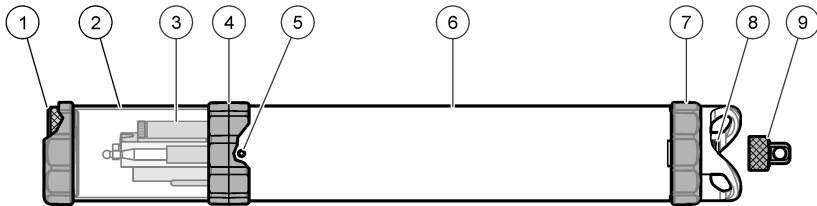
Refer to the sensor settings screen of the Hydrolab Operating Software to identify the sensors installed. All sensors are installed at the factory and are not user-replaceable without authorization from the manufacturer.

Figure 1 Instrument overview—HL4 sonde



1 Calibration cap for the storage/calibration cup	6 Middle rubber bumper (2x) ⁶
2 Storage/Calibration cup ⁴	7 Battery compartment ⁷
3 Sensors in clear pH 4 buffer	8 End rubber bumper (2x) ⁶
4 Locking screw (2x) ⁵	9 Connector
5 Housing	10 Mooring cap

Figure 2 Instrument overview—HL7 sonde



1 Calibration cap for the storage/calibration cup	6 Housing
2 Storage/Calibration cup	7 End rubber bumper (2x) ⁶
3 Sensors in clear pH 4 buffer	8 Connector
4 Middle rubber bumper ⁶	9 Mooring cap
5 Locking screw (3x) ⁵	

Product components

Make sure that all components have been received. Refer to [Figure 3](#) or [Figure 4](#). If any items are missing or damaged, contact the manufacturer or a sales representative immediately.

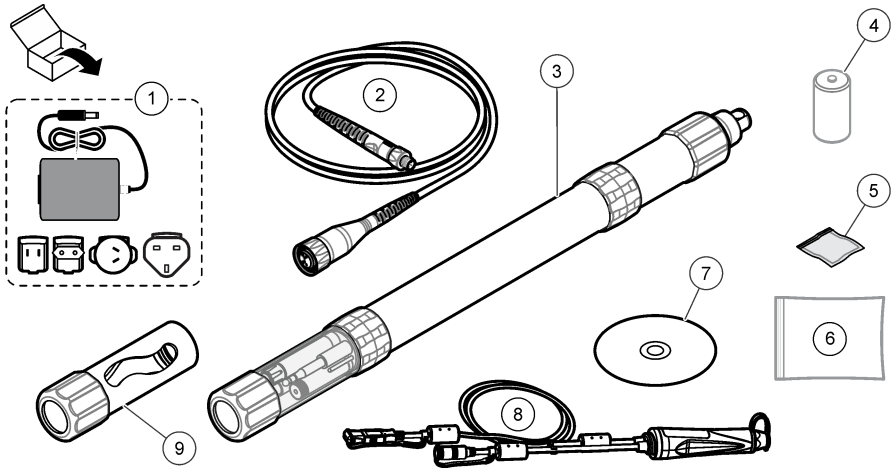
⁴ The standard version is shown.

⁵ For manufacturer use only

⁶ Remove the middle bumpers and end bumpers as necessary to use the instrument in a narrow space such as a well.

⁷ Units with an internal battery pack only

Figure 3 Instrument components—HL4 sonde



1 AC power adapter	6 Sensor maintenance kit(s) ¹⁰
2 Calibration cable ⁸	7 Hydrolab Operating Software DVD
3 HL4 sonde	8 USB communications module
4 D-cell alkaline battery ⁹	9 Sensor guard with weight ¹¹
5 Silicone grease packet, 0.25 oz	

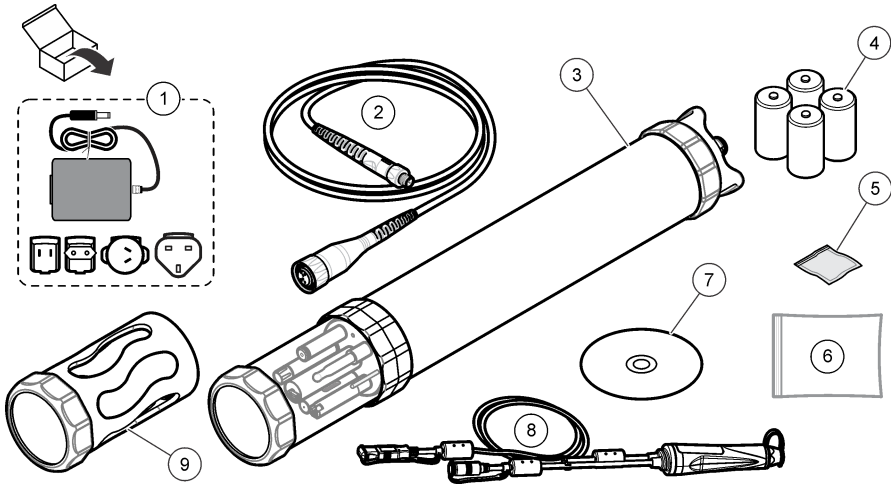
⁸ Not for use in water. Instrument damage will occur.

⁹ Supplied with units with an internal battery pack

¹⁰ Supplied with some sensors.

¹¹ The standard version is shown.

Figure 4 Instrument components—HL7 sonde



1 AC power adapter	6 Sensor maintenance kit(s) ¹⁰
2 Calibration cable ⁸	7 Hydrolab Operating Software DVD
3 HL7 sonde	8 USB communications module
4 D-cell alkaline batteries (4x)	9 Sensor guard with weight
5 Silicone grease packet, 0.25 oz	

Startup

Install the battery—HL4 sonde

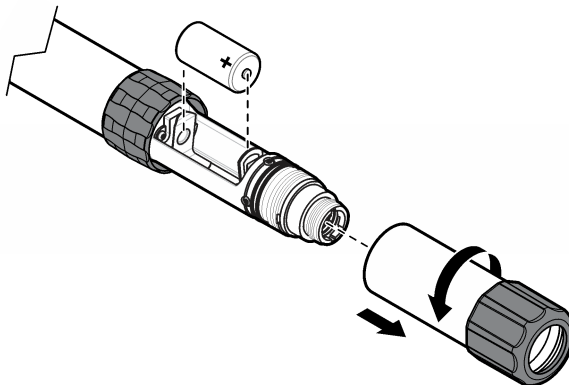
⚠ WARNING



Explosion hazard. Incorrect battery installation can cause the release of explosive gases. Be sure that the battery is of the approved chemical type and is inserted in the correct orientation.

For instruments with an internal battery pack, install the supplied D-cell battery. Refer to [Figure 5](#).

Figure 5 Install the battery



Install the batteries—HL7 sonde

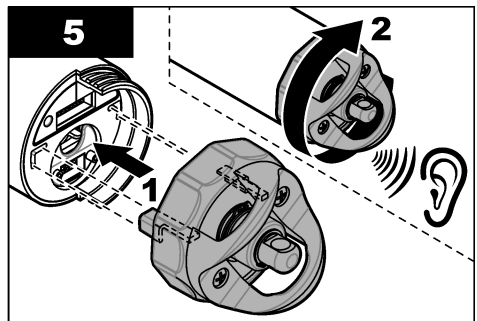
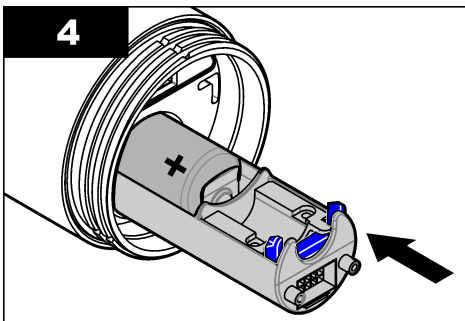
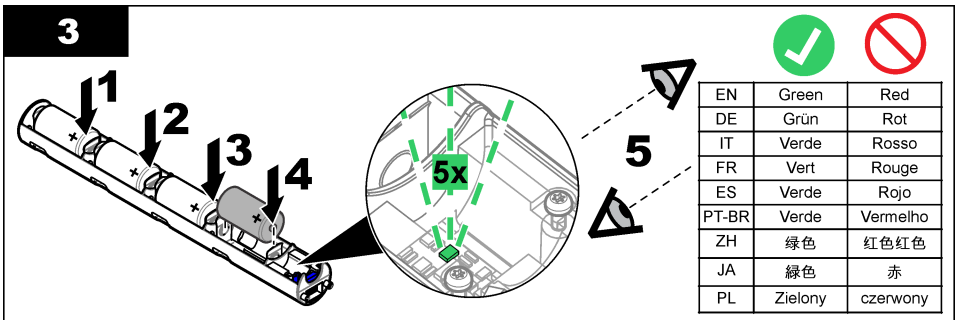
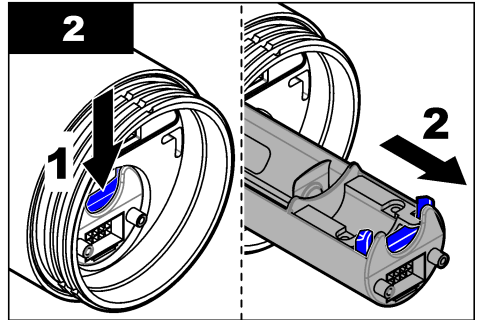
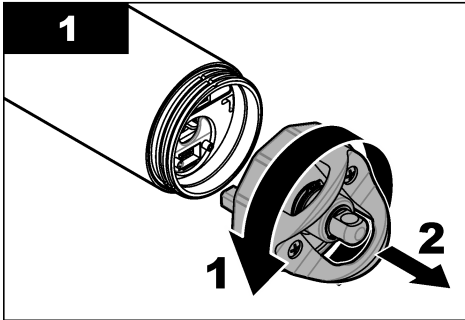
⚠ WARNING



Explosion hazard. Incorrect battery installation can cause the release of explosive gases. Be sure that the batteries are of the same approved chemical type and are inserted in the correct orientation. Do not mix new and used batteries. Do not mix batteries from different manufacturers. Do not use damaged batteries.

Install the four D-cell batteries supplied. Refer to the illustrated steps that follow.

When the last battery is installed the battery indicator light flashes green. If the indicator light flashes red, the batteries do not have sufficient power.



Install the software

Install the Hydrolab Operating Software on a PC.

Items to collect:

- PC with Windows XP SP3 or newer

- Hydrolab Operating Software DVD

1. Put the DVD in the PC. The installation program starts.
2. Complete the steps in the software prompts to install the software on the PC.

Connect to the PC

Connect the instrument to the PC.

Items to collect:

- PC with Hydrolab Operating Software
- Calibration cable or optional deployment cable
- Communications module
- Power adapter¹²

1. Connect the instrument to the PC. Refer to [Figure 6](#).

Turn the bottom of the mooring cap to remove it from the sonde. The top of the mooring cap does not turn when the mooring cap is installed.

Note: [Figure 6](#) shows the HL4 sonde. The steps are the same for the HL7 sonde.

To connect to a different power adapter or communications module than those shown, refer to the documentation supplied with the power adapter or the communications module.

Note: An external power connection is optional for instruments with an internal battery pack. The battery(s) is not used when external power is used.

2. At initial installation and each time a different USB port on the PC is used:
 - a. Windows prompts that a new device is found and opens a wizard window. Select **No, not this time** to search for software, then click **Next**.
 - b. Select **Install the software automatically (Recommended)**, then click **Next**. No DVD is necessary.

Windows installs the software driver for the communications module.

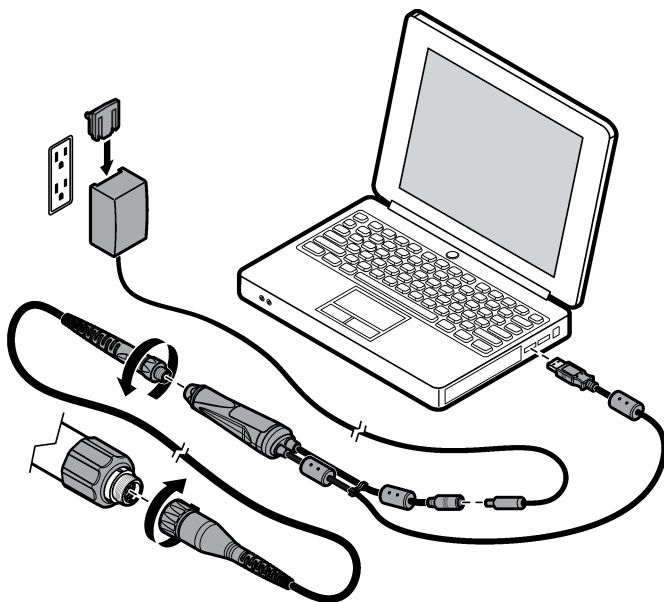
3. Start the Hydrolab Operating Software. The connected instrument shows in the Connect to Device field.

Note: If step 2 is not done at initial installation, the instrument will not be shown in the Connect to Device field.

4. Select the instrument, then click **Connect**.

¹² Optional for instruments with an internal battery pack

Figure 6 Connect the instrument to the PC



Operation

Configuration

Refer to the *Hydrolab Operating Software Manual* to configure the software, instrument and sensor settings. To look at the *Hydrolab Operating Software Manual*, start the Hydrolab Operating Software, click Help and select Hydrolab Operating Software Help.

Calibration

▲ CAUTION



Chemical exposure hazard. Obey laboratory safety procedures and wear all of the personal protective equipment appropriate to the chemicals that are handled. Refer to the current safety data sheets (MSDS/SDS) for safety protocols.

▲ CAUTION



Chemical exposure hazard. Dispose of chemicals and wastes in accordance with local, regional and national regulations.

Calibrate the sensors before initial use, at regular intervals and after sensor maintenance or modifications. Periodically, do a calibration check to make sure that measurements are still within tolerance range.

Refer to the *Hydrolab Operating Software Manual* for instructions on how to do the tasks that follow:

- Start a sensor calibration.
- Start a sensor calibration check.

- Set the calibration mode.
- Select the measurement units shown during calibration and calibration checks.
- Look at the calibration history.

To look at the *Hydrolab Operating Software Manual*, start the Hydrolab Operating Software, click Help and select Hydrolab Operating Software Help.

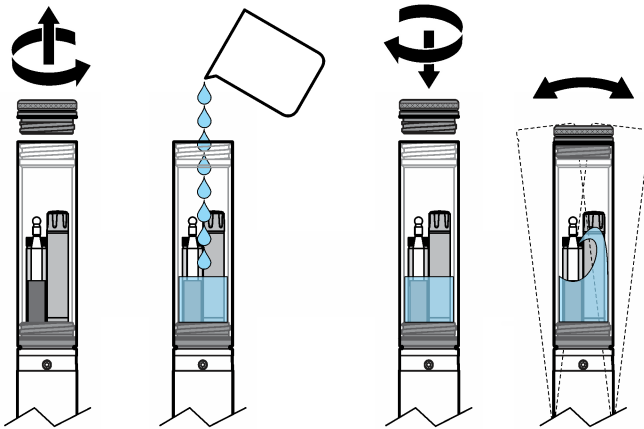
When a calibration or a calibration check is started, the step-by-step instructions for the sensor show on the display.

Prepare the sensors for calibration

Before calibration, always rinse the storage/calibration cup and clean the sensors to prevent contamination of the calibration standards.

1. Rinse the storage/calibration cup with clean water.
2. Clean the sensors. Refer to the sensor documentation for instructions.
3. Rinse the sensors at least three times with deionized water. Refer to [Figure 7](#).
Note: Figure 7 shows the HL4 sonde. The steps are the same for the HL7 sonde.
4. Rinse the sensors at least two times with a calibration standard. Refer to [Figure 7](#).
For the best results, discard the deionized water and calibration standard after each rinse.

Figure 7 Rinse the sensors



Deployment guidelines

NOTICE

Always install the mooring cap or connect the deployment cable to the instrument before deployment to keep the connector dry. Do not use the calibration cable for deployment because the connector will get wet.

NOTICE

Always install the sensor guard before deployment or sensor damage can occur.

- Do not apply more than 68 kg (150 lb) of additional weight to the instrument when the mooring cap is used.
- Do not apply more than 113 kg (250 lb) of additional weight to the instrument when the deployment cable is used.
- Do not hang weight from the sensor guard. Refer to [Specifications](#) on page 3 for the tensile strength of the mooring cap and deployment cable.

Cable care

- Lubricate the sealing surface of the mooring cap and the optional deployment cable with silicone grease on a cotton swab at regular intervals and as necessary.
- Keep all non-waterproof cables (all cables except the deployment cable) in a clean, dry and non-corrosive environment. If a cable gets dirty or wet, clean and/or air dry the cable before use.
- Do not put non-waterproof cables in a coil any tighter than 30.5 cm (12 in.) in diameter or cable damage can occur.
- Do not put a knot in cables or use clips to mark a depth.
- Do not bend or pull the deployment cable over pulleys with less than 10 cm (4 in.) radius or 20 cm (8 in.) in diameter.
- Use a powered or hand-cranked reel with electrical slip-rings to lower and raise the instrument if the cables are very long. A lighter reel without slip-rings for shorter cables can be used.

Short-term (attended) deployment

NOTICE

Do not put the instrument where the deployment cable could be cut or damaged by boat propellers or other moving objects.

Deployment with a PC

Items to collect:

- PC with Hydrolab Operating Software
- Sensor guard
- Deployment cable
- USB communications module
- Power adapter¹³

1. Connect the instrument to the PC. Refer to [Connect to the PC](#) on page 10. Make sure to use the deployment cable and not the calibration cable.
2. Remove the storage/calibration cup. Refer to [Figure 8](#). Keep the storage/calibration cup for later use.

Note: [Figure 8](#) shows the HL4 sonde. The steps are the same for the HL7 sonde.

3. Install the sensor guard. Refer to [Figure 8](#).

Do not let the sensors become dry.

4. Lower the instrument into the water to be measured. For the best results, make sure that all of the instrument is in the water.

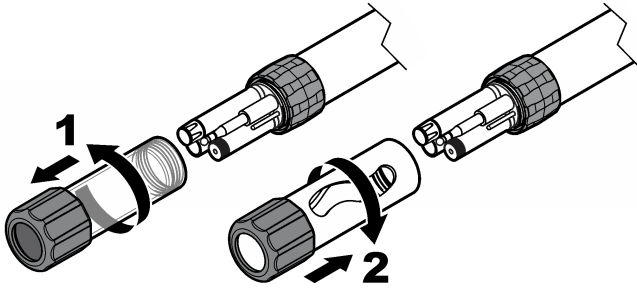
5. Click **Monitoring** to view real-time measurements. Refer to the *Hydrolab Operating Software Manual* to capture measurements and/or change the view.

Note: To look at the *Hydrolab Operating Software Manual*, start the *Hydrolab Operating Software*, click *Help* and select *Hydrolab Operating Software Help*.

When measurements are complete, prepare the instrument for travel. Refer to [Prepare for storage or travel](#) on page 22.

¹³ Optional for instruments with an internal battery pack

Figure 8 Install the sensor guard



Deployment with a flow cell

▲ WARNING

Personal injury hazard. Make sure that the sample pressure is less than 103 kPa (15 psig).

For process or pump-through monitoring, install the optional flow cell on the sonde and push the sample water through the flow cell. Refer to [Figure 9](#).

Make sure that the water pressure in the flow cell is not more than 103 kPa (15 psig) or the flow cell can break and cause injury.

Items to collect:

- PC with Hydrolab Operating Software or the Surveyor HL handheld controller
- Deployment cable
- Flow cell
- Tubing, ½-in.
- Water filter (optional)
- Water pump or siphon (optional)
- USB communications module (if a PC is used)
- Power adapter¹⁴

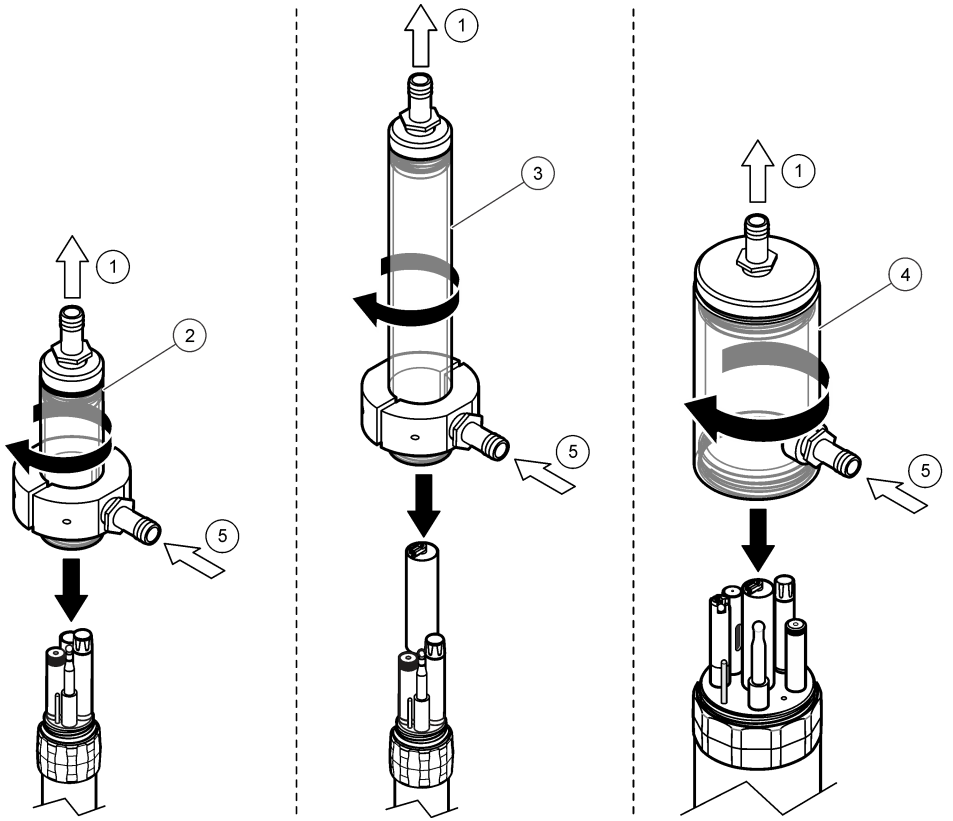
1. To use a PC, connect the instrument to the PC. Refer to [Connect to the PC](#) on page 10. Make sure to use the deployment cable and not the calibration cable.
2. To use a Surveyor HL, connect the instrument to a Surveyor HL. Refer to the *Surveyor HL User Manual*. Make sure to use the deployment cable and not the calibration cable.
3. Remove the storage/calibration cup. Keep the storage/calibration cup for later use.
4. Install the optional flow cell. Refer to [Figure 9](#). Do not let the sensors become dry.
5. Connect two pieces of ½-in. tubing to the sample in and sample out ports.
6. Attach the open end of the sample out tubing to an open drain or a collection container.
7. Put the open end of the sample in tubing in the sample water. Remove unwanted material from the sample water with a filter as necessary.
8. If possible, invert the sonde so the bubbles are removed from the sensors and go out the sample out port.
9. Start the flow of sample water to the flow cell.
10. Click **Monitoring** to view real-time measurements. Refer to the *Hydrolab Operating Software Manual* or the *Surveyor HL User Manual* as applicable to capture measurements and/or change the view.

Note: To look at the *Hydrolab Operating Software Manual*, start the *Hydrolab Operating Software*, click *Help* and select *Hydrolab Operating Software Help*.

¹⁴ Optional for instruments with an internal battery pack

When measurements are complete, prepare the instrument for travel. Refer to [Prepare for storage or travel](#) on page 22.

Figure 9 Install a flow cell



1 Sample out	4 Flow cell for HL7
2 Flow cell for HL4	5 Sample in
3 Flow cell for HL4 with an extended sensor	

Long-term (unattended) deployment

Deployment with a mooring cap

Only instruments with an internal battery pack can be deployed with a mooring cap.

Items to collect:

- PC with Hydrolab Operating Software
- Sensor guard
- Mooring cap
- Rope or wire line
- Calibration cable
- USB communications module

- Power adapter¹⁵

1. In the office or the field, add a new log to the instrument.

Measurements are saved to the new log according to the selected measurement interval and date range.

- a. Connect the instrument to a PC. Refer to [Connect to the PC](#) on page 10.
- b. Click **Logging**, then add a new log. Refer to *Logging* in the online help.
- c. Select **File>Disconnect from Device** to disconnect the instrument from the PC.

Note: As an alternative, click **Devices**, select the instrument, then click **Disconnect**.

- d. Disconnect the calibration cable from the instrument.

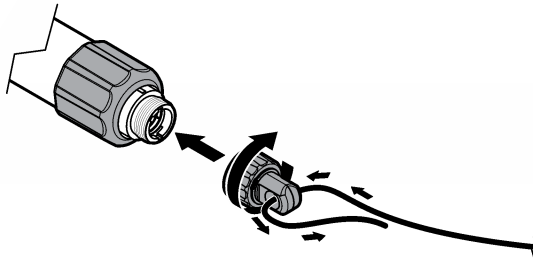
2. Install the mooring cap on the instrument. Refer to [Figure 10](#). Turn the bottom of the mooring cap to install it.

Note: [Figure 10](#) shows the HL4 sonde. The steps are the same for the HL7 sonde.

3. In the field, attach a rope or wire line to the mooring cap and/or the bail (HL7 sonde only). Refer to [Figure 10](#).
4. Remove the storage/calibration cup. Refer to [Figure 8](#) on page 14. Keep the storage/calibration cup for later use.
5. Install the sensor guard. Refer to [Figure 8](#) on page 14.
Do not let the sensors become dry.
6. Lower the instrument into the water to be measured. For the best results, make sure that all of the instrument is in the water.
7. Attach the instrument to a buoy, anchor or structure. Refer to [Attach to a buoy, anchor or structure](#) on page 18.

When deployment is complete, prepare the instrument for travel. Refer to [Prepare for storage or travel](#) on page 22.

Figure 10 Install the mooring cap



Deployment with a data acquisition system or controller

To remotely collect real-time measurements from the instrument, connect the instrument to a data acquisition system (i.e., data logger or modem) or a controller with an applicable communications module.

The instrument stays in low-power (sleep) mode until it receives a command from the external device to switch on, complete a measurement and transmit the measured parameters back to the external device. Refer to the online help for SDI-12 commands and TTY commands supported by the instrument.

Configure the communications module

¹⁵ Optional for instruments with an internal battery pack

Items to collect:

- PC with Hydrolab Operating Software
 - Communications module
1. In the office or the field, connect the applicable communications module to a USB port on the PC.
 2. Start the Hydrolab Operating Software. The connected communications module shows in the Connect to Device field.
 3. Select the communications module, then click **Connect**. The configuration windows for the communications module shows.
 4. Configure the communications module. Refer to *Configuration* in the online help.
 5. When configuration is completed, disconnect the communications cable from the PC.
 - a. Select **File>Disconnect from Device** to disconnect the communications cable from the PC.

*Note: As an alternative, click **Devices**, select the communications cable, then click **Disconnect**.*
 - b. Disconnect the communications cable from the PC.

Connect the communications module

Items to collect:

- Data acquisition system or controller
 - Communications module (configured)
 - External power source, 6-24 VDC (12 VDC nominal) ¹⁶
1. In the field, connect the communications module to the data acquisition system or controller. Refer to the documentation supplied with the communications module for wiring information. Refer to [Data transmission and power wiring](#) on page 17 for the wiring requirements for data transmission.
 2. If the data acquisition system or controller cannot supply power to the communications module, connect an external power source to the communications module. Refer to [Data transmission and power wiring](#) on page 17 for the wiring requirements for external power.

Data transmission and power wiring

To connect data transmission lines to the communications module, make sure that the transmission cable is sufficient for the operating current and will transfer the data without distortion. For up to 305 m (1000 ft) of cable, three 26 AWG wires are sufficient.

To connect external power to the communications module, make sure to use two 18 AWG wires for power. Smaller power wires can be used if the power supply is near the instrument.

Instrument deployment

Items to collect:

- Deployment cable
 - Sensor guard
1. Connect the deployment cable to the communications module. Make sure to use the deployment cable and not the calibration cable.
 2. Connect the deployment cable to the instrument.
 3. Remove the storage/calibration cup and install the sensor guard. Keep the storage/calibration cup for later use. Refer to [Figure 8](#) on page 14. Do not let the sensors become dry.

¹⁶ Optional for instruments with an internal battery pack. Not used when the data acquisition system or the controller can supply power to the communications module.

4. Lower the instrument into the water to be measured. For the best results, make sure that all of the instrument is in the water. Do not put the communications module in the water.
5. Attach the instrument and cabling to a structure. Refer to [Attach to a buoy, anchor or structure](#) on page 18.

When deployment is complete, prepare the instrument for travel. Refer to [Prepare for storage or travel](#) on page 22.

Attach to a buoy, anchor or structure

NOTICE

Do not use pipe clamps to attach the instrument because instrument damage can occur.

For unattended monitoring, attach the instrument to a buoy, anchor or structure.

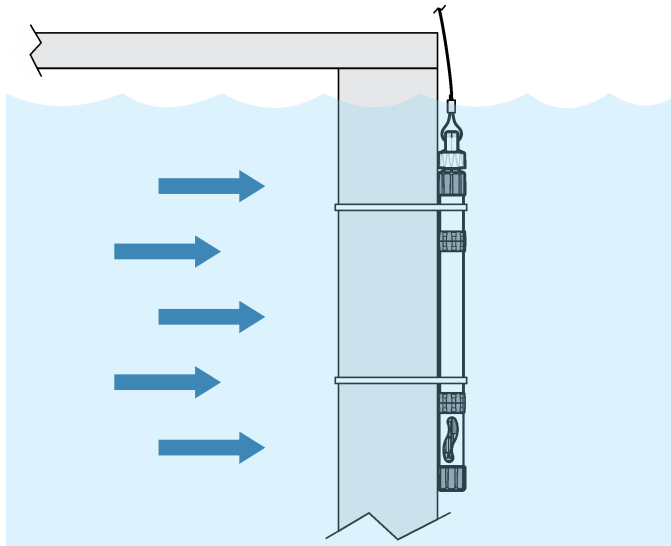
Install in a location:

- Where instrument damage will not occur such as from floating material, sand, gravel, silt, navigation or vandalism
- Where the instrument will not come in contact with mud such as after the water recedes
- Where ice will not form around the instrument or sensors

To attach the instrument to a:

- Buoy—use a marking buoy that will not attract vandalism.
- Structure—attach the instrument to the downstream side of a piling to prevent damage from floating material. Refer to [Figure 11](#). Carefully install straps such as web belts and large plastic Tie-wraps on both ends of the instrument housing. Attach the deployment cable in the same way (if used) to prevent cable damage from floating material, navigation and vandalism. To prevent vandalism, install the instrument and cable so they are not easily seen.

Figure 11 Attach the instrument to a structure



Maintenance

▲ CAUTION



Multiple hazards. Only qualified personnel must conduct the tasks described in this section of the document.

▲ CAUTION



Personal injury hazard. Because of pressure buildup inside of the instrument, removable parts can disengage with force when removed. Loosen and remove the parts slowly. Point the parts away from people and wear the appropriate protective equipment during maintenance or service activities.

NOTICE

Do not disassemble the instrument for maintenance without authorization from the manufacturer. If the internal components must be cleaned or repaired, contact the manufacturer.

NOTICE

Keep the instrument in a location where the sensors will not freeze or sensor damage will occur.

Clean the housing and the sensor guard

NOTICE

To prevent damage to some sensors and the instrument, do not use solvents that dissolve plastic to clean the housing and sensor guard.

At regular intervals, examine the instrument housing and sensor guard. Clean the housing and sensor guard as necessary to remove unwanted material and deposits.

1. Remove the sensor guard from the instrument.
 2. Pour a minimum of 2.5 cm (1 in.) of pH 4 buffer or clean tap water into the storage/calibration cup.
 3. Install the storage/calibration cup on the instrument.
 4. Clean the housing and sensor guard with:
 - Mild detergent
 - Non-toxic, degreasing solution, such as Simple Green® (A registered trademark of Sunshine Makers, Inc.)
 - Warm water
 - Clean, soft toothbrush
 - Soft cloth and/or cotton swabs
- If necessary, soak the sensor guard and/or housing in water for at least 30 minutes to make the contaminants soft and easier to remove.
5. Rinse the housing and sensor guard with clean water.

Clean the sensors

At regular intervals, examine the sensors for unwanted material, deposits (inorganic and biological) and damage. Clean the sensors if unwanted material is found. In addition, clean the sensors if sensor performance has degraded. Refer to the sensor documentation for cleaning instructions.

Replace any damaged parts. Replace any parts with fouling (sedimentary and/or biological) that affects performance and cannot be removed. Refer to the sensor documentation for maintenance instructions.

Replace the battery(s)

⚠ WARNING



Explosion hazard. An expired battery can cause hydrogen gas buildup inside the instrument. Replace the battery before it expires. Do not store the instrument for long periods with a battery installed. Dispose of batteries in accordance with local, regional and national regulations.

For HL4 sondes with an internal battery pack, replace the D-cell alkaline battery when the battery power level is low. Refer to [Figure 5](#) on page 8.

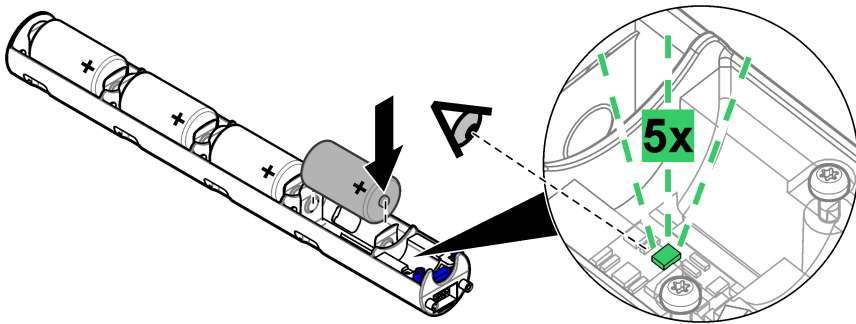
For HL7 sondes, replace the four D-cell alkaline batteries when the battery power level is low. Refer to [Install the batteries—HL7 sonde](#) on page 9. Make sure that the battery indicator light flashes green when the last battery is installed. Refer to [Figure 12](#). If the indicator light flashes red, the batteries do not have sufficient power.

Note: The battery power level is shown at the top of the Hydrolab Operating Software window.

Make sure that the sonde is horizontal when the battery compartment is opened to keep the water on the cover out of the battery compartment. If water gets into the battery compartment, remove the battery, pour the water out and fully dry the compartment with a towel. Let the battery compartment air dry fully before use to prevent corrosion.

Note: The internal clock battery is not user-replaceable without authorization from the manufacturer.

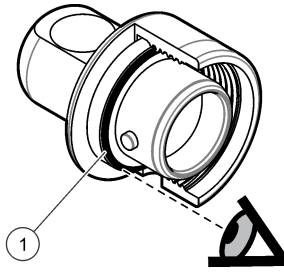
Figure 12 Battery indicator light



Examine the O-rings and sealing gasket

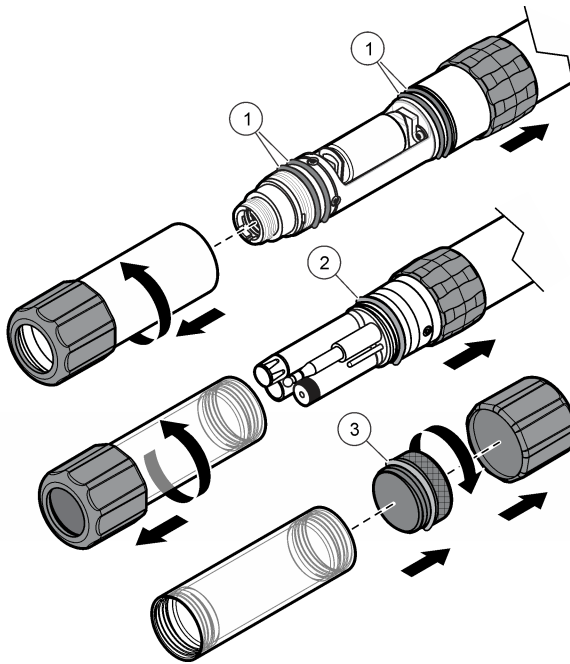
1. At regular intervals, examine the O-rings and sealing gasket in the mooring cap for unwanted material, wear or damage. Refer to [Figure 13](#) to [Figure 15](#).
2. Remove any unwanted material from the O-rings and mooring cap.
3. Replace any O-rings with visible damage or wear (e.g., cracks or missing pieces). Replace with the O-rings from the manufacturer.
4. Apply silicone grease to the O-rings to prevent them from sticking and being pulled out of position.
5. Replace the mooring cap when damage or wear is visible on the sealing gasket.

Figure 13 Sealing gasket location



1 Mooring cap sealing gasket

Figure 14 O-ring locations—HL4 sonde

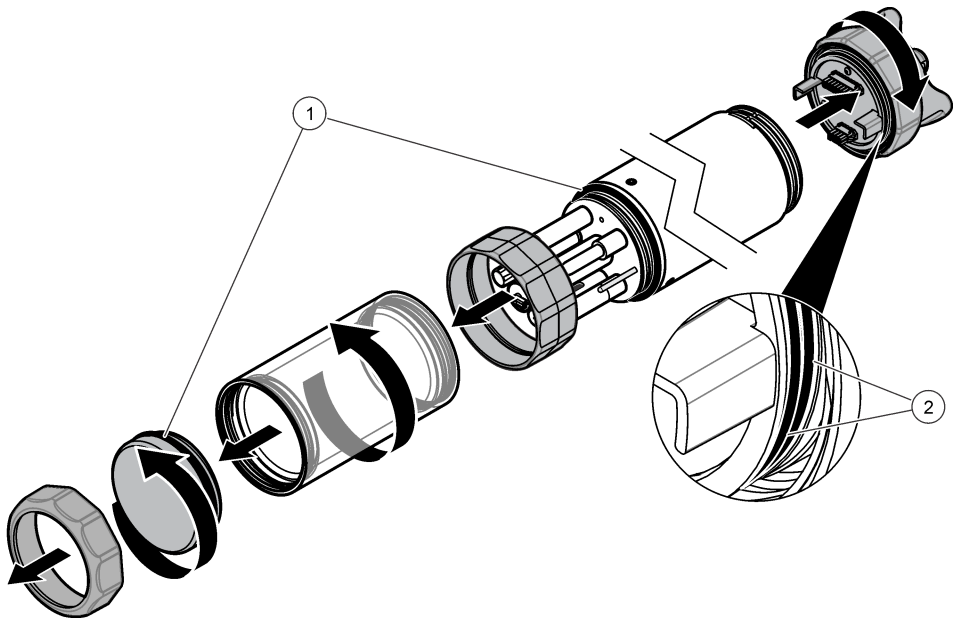


1 Battery compartment O-rings (4x)

2 Storage/Calibration cup O-ring

3 Calibration cap O-ring

Figure 15 O-ring locations—HL7 sonde



1 Storage/Calibration cup O-rings (2x)

2 Battery compartment O-rings (2x)

Prepare for storage or travel

NOTICE

Keep the instrument in a location where the water in the storage/calibration cup will not freeze or sensor damage will occur.

NOTICE

Do not keep the sensors in deionized water or cleaning solutions or sensor damage will occur.

NOTICE

Do not keep a turbidity sensor or fluorometer in colored pH buffer or sensor damage will occur.

NOTICE

Do not keep the sensors in field sample water for long periods because biological growth can occur and contaminate the sensors.

1. Rinse the instrument and sensors with clean tap water.
2. Remove the sensor guard and install the storage/calibration cup. Pour a minimum of 2.5 cm (1 in.) of pH 4 buffer with no color or clean tap water into the storage/calibration cup. Refer to [Figure 16](#).

Note: [Figure 16](#) shows the HL4 sonde. The steps are the same for the HL7 sonde.

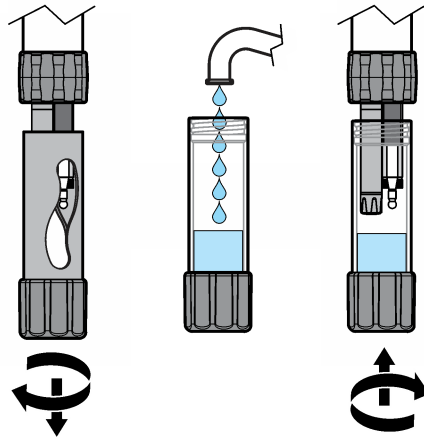
Note: It is not necessary for the sensors to be in the pH buffer or water.

Note: Do not keep a total dissolved gas sensor wet or the sensor membrane will be damaged.

3. Make sure that the end bumper is installed on the storage/calibration cup.
4. Install the mooring cap on the connector to keep the connector clean and dry.

5. Put all non-waterproof cables (all cables except the deployment cable) in a dry container. Do not put cables in a coil any tighter than 30.5 cm (12 in.) in diameter or cable damage can occur.
6. Before storage, clean the sensors. Refer to the sensor documentation.
7. For long-term storage, remove the internal D-cell battery(s). Refer to [Figure 5](#) on page 8 or [Install the batteries—HL7 sonde](#) on page 9. No additional sensor preparation is necessary for long-term storage.

Figure 16 Prepare for storage or travel



Prepare for use after long-term storage

After the instrument has been in storage for more than 1 month,

1. Replace the electrolyte in the sensors, if applicable.
2. Calibrate the sensors. Refer to [Calibration](#) on page 11.

Rehydrate the sensors

If the sensors become dry, soak them in water before use.

Note: Do not keep a total dissolved gas sensor wet or the sensor membrane will be damaged.

Troubleshooting

Refer to the *Hydrolab Operating Software Manual* for troubleshooting information. To look at the *Hydrolab Operating Software Manual*, start the Hydrolab Operating Software, click Help and select Hydrolab Operating Software Help.

Replacement parts and accessories

⚠ WARNING



Personal injury hazard. Use of non-approved parts may cause personal injury, damage to the instrument or equipment malfunction. The replacement parts in this section are approved by the manufacturer.

Note: Product and Article numbers may vary for some selling regions. Contact the appropriate distributor or refer to the company website for contact information.

Replacement parts—HL4 sonde

Description	Item no.
Battery enclosure sleeve, HL4 sonde	9047300
Battery terminal cover, HL4 sonde	9032000
Bumper, rubber, end, HL4 sonde	9383100
Bumper, rubber, middle, HL4 sonde	9383200
Cap, storage/calibration cup, HL4 sonde	9040900
O-ring, battery compartment, HL4 sonde ¹⁷	9048400
O-ring, storage/calibration cup and cap, HL4 sonde	002811
Maintenance kit, turbidity sensor with wiper, HL4 sonde	9480800
Sensor guard, standard, HL4 sonde	9383700
Sensor guard, standard with weight, HL4 sonde	9044100
Sensor guard, extended, HL4 sonde	9383800
Sensor guard, extended with weight, HL4 sonde	8734500
Sensor guard weight, HL4 sonde	9383900
Shipping box, HL4 sonde	9309100
Storage/calibration cup, standard, HL4 sonde	003306
Storage/calibration cup, extended, HL4 sonde	003395HY

Replacement parts—HL7 sonde

Description	Item no.
Battery pack	HL7 BATT PACK
Cap, storage/calibration cup, HL7 sonde	003609HY
O-ring, storage/calibration cup and cap, HL7 sonde	000568
Sensor guard with weight, HL7 sonde	8457100
Shipping box, HL7 sonde	8490400
Storage/calibration cup, HL7 sonde	003608
Maintenance kit, turbidity sensor with central cleaning brush and wiper, HL7 sonde	9480900

Replacement parts—HL4 and HL7 sondes

Description	Item no.
Calibration cable	9310600
Dust cap, USB A connector	9046200
Dust cap, 5-pin connector	9046100
Dust cap, DC power connector	9046000
Communications module, USB	6748600

¹⁷ A quantity of four is necessary for the HL4 sonde.

Replacement parts—HL4 and HL7 sondes (continued)

Description	Item no.
Hydrolab Operating Software, DVD	9512900
Maintenance kit, standard reference electrode, includes: O-ring (000467HY), salt tablets (005376HY), PTFE junction (000548HY) and electrolyte solution (005308HY)	014660HY
Maintenance kit, cap replacement kit, LDO sensor	007460
Maintenance kit, pH sensor with integrated reference electrode, includes: O-ring (003396HY), syringe, ¼-in. screwdriver, salt tablets (005376HY), PTFE junction (002770HY), electrolyte solution (005308HY)	013410HY
Mooring cap	9310500
Power adapter, AC	002782
Silicone grease packet, 0.25 oz	000298HY

Accessories

Description	Item no.
Communications module, USB	6748600
Communications module, SDI-12	9039600
Communications module, RS485 Modbus	9039700
Communications module, RS232 Modbus	9039800
Communications module, RS232 TTY	9312900
Dust cap kit, communications modules, includes:	8808200
Dust cap, DC power connector	9046000
Dust cap, 5-pin connector	9046100
Dust cap, USB A connector	9046200
Dust cap, DB9 connector	9045900
Deployment cable, 5 m	CZ005
Deployment cable, 10 m	CZ010
Deployment cable, 15 m	CZ015
Deployment cable, 25 m	CZ025
Deployment cable, 30 m	CZ030
Deployment cable, 50 m	CZ050
Deployment cable, 75 m	CZ075
Deployment cable, 100 m	CZ100
Deployment cable, 150 m	CZ150
Deployment cable, 200 m	CZ200
Deployment cable cap, wet end	9714500
Flow cell, HL4	014880

Accessories (continued)

Description	Item no.
Flow cell, HL4 with an extended sensor	013520HY
Flow cell, HL7	014120

Inhaltsverzeichnis

[Technische Daten](#) auf Seite 27

[Allgemeine Informationen](#) auf Seite 28

[Inbetriebnahme](#) auf Seite 32

[Betrieb](#) auf Seite 35

[Wartung](#) auf Seite 44

[Fehlerbehebung](#) auf Seite 49

[Ersatzteile und Zubehör](#) auf Seite 50

Technische Daten

Änderungen vorbehalten.

Technische Daten	Details
Abmessungen	HL4: Ø 4,44 cm (1,75") ohne Gummidämpfer; Ø 5,33 cm (2,1") mit Gummidämpfern. Länge – 51,43 cm (20,25") ohne internen Batteriesatz und mit Standard-Sensorschutz; 66,36 cm (26,125") ohne internen Batteriesatz und mit verlängertem Sensorschutz; 62,23 cm (24,5") mit internem Batteriesatz und Standard-Sensorschutz; 77,787 cm (30,625") mit internem Batteriesatz und verlängertem Sensorschutz HL7: Ø 8,9 cm (3,5") ohne Gummidämpfer; Ø 9,6 cm (3,78") mit Gummidämpfern. Länge – 66,4 cm (26,1")
Gewicht	HL4: 2,2 kg (5 lb) mit internem Batteriesatz, eine Batterie (D-Zelle) und Aufbewahrungs-/Kalibrierbecher ohne Flüssigkeit HL7: 4,5 kg (10 lb) mit vier Batterien (D-Zelle) und Aufbewahrungs-/Kalibrierbecher ohne Flüssigkeit
Stromversorgung	HL4: 6–24 VDC (12 VDC nominal) am Kommunikationsmodul anliegend, 12 VDC: 250 mW Mittelwert, 18 W Spitze HL7: 6–24 VDC (12 VDC nominal) am Kommunikationsmodul anliegend, 12 VDC: 2,0 W Mittelwert, 24 W Spitze
Interner Batteriesatz ¹	HL4: Eine interne Alkalibatterie (D-Zelle), nicht aufladbar. Ungefähr 75 Tage Betrieb mit einem Protokollierungsintervall von 15 Minuten und der Standard-Aufwärmzeit mit Tiefe, Temperatur, Leitfähigkeit sowie installierter pH- und LDO-Sensoren bei Raumtemperatur. HL7: Vier interne Alkalibatterien (D-Zelle), nicht aufladbar. Ungefähr 90 Tage Betrieb mit einem Protokollierungsintervall von 15 Minuten und der Standard-Aufwärmzeit mit Temperatur, Leitfähigkeit, sowie installierter pH-, LDO-, Chlorophyll-a-, Blaualgen(Frischwasser)- und Trübungssensoren, einem zentralen Reinigungsbürstensenet für eine Umdrehung und die Sensoren bei Raumtemperatur.
Betriebstemperatur ²	–5 bis 50 °C (23 bis 122 °F), frostsicher
Lagertemperatur	1 bis 50 °C (34 bis 122 °F)
Tiefe	Maximal 200 m (656 ft) <i>Hinweis: Einige Sensoren können bei einer Tiefe von 200 m (656 ft) nicht verwendet werden. Informationen zur maximalen Tiefe finden Sie in der Sensordokumentation.</i>
Zugfestigkeit (max.)	Vertäuungskappe: 68 kg (150 lb); Unterwasserkabel: 227 kg (500 lb)
Sensoren	HL4: Temperatursensor, vier externe Sensoranschlüsse und optionaler interner Tiefensensor HL7: Temperatursensor, sieben externe Sensoranschlüsse und optionaler interner Tiefensensor Informationen zu den technischen Daten des Sensors finden Sie in der Sensordokumentation.
Datenübertragung	Kommunikationsmodul: USB, SDI-12, RS232 Modbus, RS485 Modbus und RS232 TTY

¹ Optional für HL4

² Betrieb außerhalb dieses Temperaturbereichs kann zu mechanischen Schäden oder einer fehlerhaften Leistung der Elektronik führen.

Technische Daten	Details
Protokollierung	4 GB interner Speicher ³ ; kleinstes Intervall 1 Sekunde
Zertifizierung	CE-Zeichen. Weitere Zertifizierungen sind Änderungen vorbehalten. Wenden Sie sich an den Hersteller.

Allgemeine Informationen

Der Hersteller ist nicht verantwortlich für direkte, indirekte, versehentliche oder Folgeschäden, die aus Fehlern oder Unterlassungen in diesem Handbuch entstanden. Der Hersteller behält sich jederzeit und ohne vorherige Ankündigung oder Verpflichtung das Recht auf Verbesserungen an diesem Handbuch und den hierin beschriebenen Produkten vor. Überarbeitete Ausgaben der Bedienungsanleitung sind auf der Hersteller-Webseite erhältlich.

Sicherheitshinweise

HINWEIS

Der Hersteller ist nicht für Schäden verantwortlich, die durch Fehlanwendung oder Missbrauch dieses Produkts entstehen, einschließlich, aber ohne Beschränkung auf direkte, zufällige oder Folgeschäden, und lehnt jegliche Haftung im gesetzlich zulässigen Umfang ab. Der Benutzer ist selbst dafür verantwortlich, schwerwiegende Anwendungsrisiken zu erkennen und erforderliche Maßnahmen durchzuführen, um die Prozesse im Fall von möglichen Gerätefehlern zu schützen.

Bitte lesen Sie dieses Handbuch komplett durch, bevor Sie dieses Gerät auspacken, aufstellen oder bedienen. Beachten Sie alle Gefahren- und Warnhinweise. Nichtbeachtung kann zu schweren Verletzungen des Bedieners oder Schäden am Gerät führen.

Stellen Sie sicher, dass die durch dieses Messgerät bereitgestellte Sicherheit nicht beeinträchtigt wird. Verwenden bzw. installieren Sie das Messsystem nur wie in diesem Handbuch beschrieben.

Bedeutung von Gefahrenhinweisen

▲ GEFAHR

Kennzeichnet eine mögliche oder drohende Gefahrensituation, die, wenn sie nicht vermieden wird, zum Tod oder zu schweren Verletzungen führt.

▲ WARNUNG

Kennzeichnet eine mögliche oder drohende Gefahrensituation, die, wenn sie nicht vermieden wird, zum Tod oder zu schweren Verletzungen führen kann.

▲ VORSICHT

Kennzeichnet eine mögliche Gefahrensituation, die zu geringeren oder moderaten Verletzungen führen kann.



HINWEIS

Kennzeichnet eine Situation, die, wenn sie nicht vermieden wird, das Gerät beschädigen kann. Informationen, die besonders beachtet werden müssen.

Warnhinweise

Lesen Sie alle am Gerät angebrachten Aufkleber und Hinweise. Nichtbeachtung kann Verletzungen oder Beschädigungen des Geräts zur Folge haben. Im Handbuch werden auf die am Gerät angebrachten Symbole in Form von Warnhinweisen verwiesen.

³ Ausreichend Speicher für 5 Jahre Dauermessung bei einem Protokollierungsintervall von 15 Minuten

	<p>Dieses Symbol am Gerät weist auf Betriebs- und/oder Sicherheitsinformationen im Handbuch hin.</p>
	<p>Elektrogeräte, die mit diesem Symbol gekennzeichnet sind, dürfen nicht im normalen öffentlichen Abfallsystem entsorgt werden. Senden Sie Altgeräte an den Hersteller zurück. Dieser entsorgt die Geräte ohne Kosten für den Benutzer.</p>

Zertifizierung

Kanadische Vorschriften zu Störungen verursachenden Einrichtungen, IECS-003, Klasse A:

Entsprechende Prüfprotokolle hält der Hersteller bereit.

Dieses digitale Gerät der Klasse A erfüllt alle Vorgaben der kanadischen Normen für Interferenz verursachende Geräte.

Cet appareil numérique de classe A répond à toutes les exigences de la réglementation canadienne sur les équipements provoquant des interférences.

FCC Teil 15, Beschränkungen der Klasse "A"

Entsprechende Prüfprotokolle hält der Hersteller bereit. Das Gerät entspricht Teil 15 der FCC-Vorschriften. Der Betrieb unterliegt den folgenden Bedingungen:

1. Das Gerät darf keine Störungen verursachen.
2. Das Gerät muss jegliche Störung, die es erhält, einschließlich jener Störungen, die zu unerwünschtem Betrieb führen, annehmen.

Änderungen oder Modifizierungen an diesem Gerät, die nicht ausdrücklich durch die für die Einhaltung der Standards verantwortliche Stelle bestätigt wurden, können zur Aufhebung der Nutzungsberechtigung für dieses Gerät führen. Dieses Gerät wurde geprüft, und es wurde festgestellt, dass es die Grenzwerte für digitale Geräte der Klasse A entsprechend Teil 15 der FCC-Vorschriften einhält. Diese Grenzwerte sollen einen angemessenen Schutz gegen gesundheitsschädliche Störungen gewährleisten, wenn dieses Gerät in einer gewerblichen Umgebung betrieben wird. Dieses Gerät erzeugt und nutzt hochfrequente Energie und kann diese auch abstrahlen, und es kann, wenn es nicht in Übereinstimmung mit der Bedienungsanleitung installiert und eingesetzt wird, schädliche Störungen der Funkkommunikation verursachen. Der Betrieb dieses Geräts in Wohngebieten kann schädliche Störungen verursachen. In diesem Fall muss der Benutzer die Störungen auf eigene Kosten beseitigen. Probleme mit Interferenzen lassen sich durch folgende Methoden mindern:

1. Trennen Sie das Gerät von der Stromversorgung, um sicherzugehen, dass dieser die Störungen nicht selbst verursacht.
2. Wenn das Gerät an die gleiche Steckdose angeschlossen ist wie das gestörte Gerät, schließen Sie das störende Gerät an eine andere Steckdose an.
3. Vergrößern Sie den Abstand zwischen diesem Gerät und dem gestörten Gerät.
4. Ändern Sie die Position der Empfangsantenne des gestörten Geräts.
5. Versuchen Sie auch, die beschriebenen Maßnahmen miteinander zu kombinieren.

Produktübersicht

HINWEIS

Verwenden Sie die Sonde der HL Serie nicht in Wasser, das Verunreinigungen enthält, welche die Sensoren oder das Gehäuse beschädigen können (beispielsweise starke Säuren oder Basen, konzentrierte organische Lösungsmittel, Öl/Fett, giftige Metalle oder radioaktives Wasser).

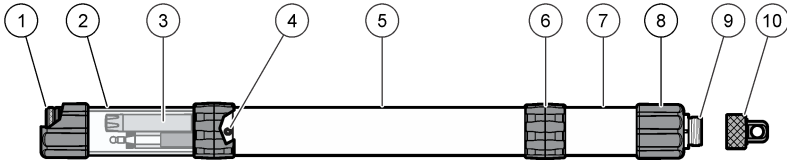
Die Sonde der HL Serie kann für Spotmessungen oder die unbeaufsichtigte Überwachung von Süß- oder Salzwasserproben verwendet werden. Siehe [Abbildung 1](#) und [Abbildung 2](#). Die durch die Sonde gemessenen Parameter werden auf der Sonde und dem Sensoreinstellungsbildschirm der Hydrolab-Betriebssoftware identifiziert.

Die HL4-Sonde verfügt über einen Temperatursensor, vier externe Sensoranschlüsse und einen optionalen internen Tiefensensor. An die vier externen Sensoranschlüsse können bis zu vier unterschiedliche Sensoren angeschlossen werden.

Die HL7-Sonde verfügt über einen Temperatursensor, sieben externe Sensoranschlüsse und einen optionalen internen Tiefensensor. An die sieben externen Sensoranschlüsse können bis zu sieben unterschiedliche Sensoren sowie die optionale zentrale Reinigungsbürste angeschlossen werden.

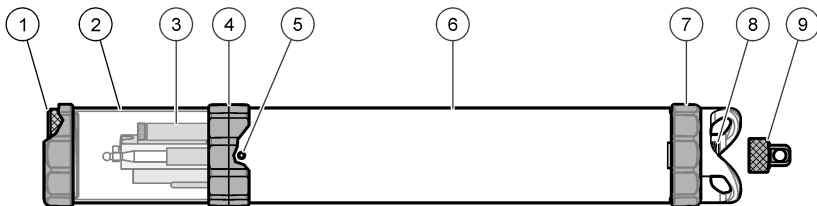
Sehen Sie auf dem Sensoreinstellungsbildschirm der Hydrolab-Betriebssoftware nach, um die installierten Sensoren zu ermitteln. Alle Sensoren werden werkseitig installiert und dürfen ohne Genehmigung des Herstellers nicht vom Benutzer ausgetauscht werden.

Abbildung 1 Geräteübersicht – HL4-Sonde



1 Kalibrierabdeckung für Aufbewahrungs-/Kalibrierbecher	6 Mittlerer Gummidämpfer (2x) ⁶
2 Aufbewahrungs-/Kalibrierbecher ⁴	7 Akkufach/Batteriefach ⁷
3 Sensoren in klarem pH-4-Puffer	8 Endseitiger Gummidämpfer (2x) ⁶
4 Sicherungsschraube (2x) ⁵	9 Stecker
5 Gehäuse	10 Veräuungskappe

Abbildung 2 Geräteübersicht – HL7-Sonde



1 Kalibrierabdeckung für Aufbewahrungs-/Kalibrierbecher	6 Gehäuse
2 Aufbewahrungs-/Kalibrierbecher	7 Endseitiger Gummidämpfer (2x) ⁶
3 Sensoren in klarem pH-4-Puffer	8 Stecker
4 Mittlerer Gummidämpfer ⁶	9 Veräuungskappe
5 Sicherungsschraube (3x) ⁵	

Produktkomponenten

Stellen Sie sicher, dass Sie alle Teile erhalten haben. Siehe [Abbildung 3](#) oder [Abbildung 4](#). Wenn Komponenten fehlen oder beschädigt sind, kontaktieren Sie bitte den Hersteller oder Verkäufer.

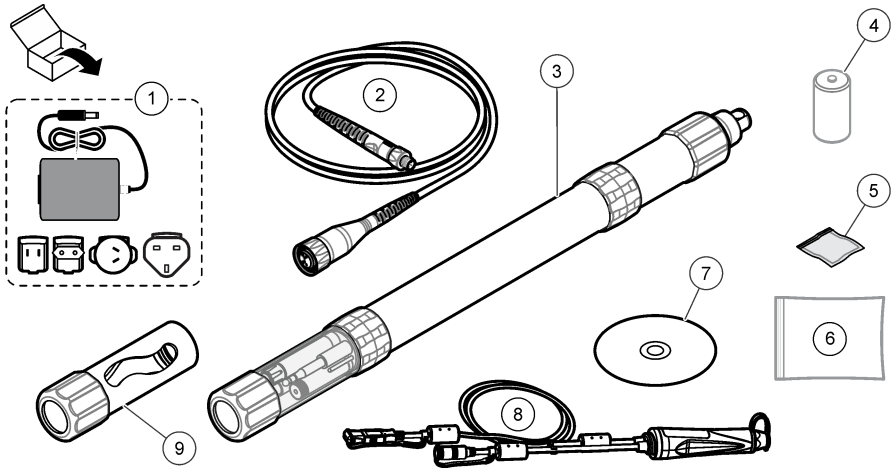
⁴ Die Abbildung zeigt die Standardversion.

⁵ Nur für Hersteller

⁶ Entfernen Sie bei Bedarf die mittleren und endseitigen Gummidämpfer, um das Gerät an engen Stellen wie einem Brunnenschacht zu verwenden.

⁷ Nur bei Geräten mit internem Batteriesatz

Abbildung 3 Gerätekomponenten – HL4-Sonde



1 Netzadapter	6 Sensorwartungssätze ¹⁰
2 Kalibrierkabel ⁸	7 DVD mit Hydrolab-Betriebssoftware
3 HL4-Sonde	8 USB-Kommunikationsmodul
4 Alkalibatterie (D-Zelle) ⁹	9 Sensorschutz mit Gewicht ¹¹
5 Silikonfett, 0,25 oz	

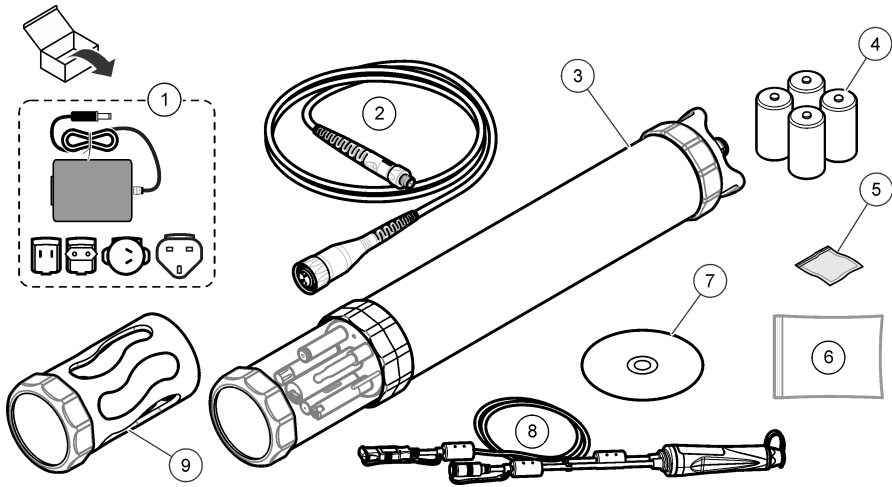
⁸ Nicht zur Verwendung in Wasser. Das Gerät wird sonst beschädigt.

⁹ Bei Geräten mit internem Batteriesatz im Lieferumfang enthalten

¹⁰ Bei einigen Sensoren im Lieferumfang enthalten.

¹¹ Die Abbildung zeigt die Standardversion.

Abbildung 4 Gerätekomponenten – HL7-Sonde



1 Netzadapter	6 Sensorwartungssätze ¹⁰
2 Kalibrierkabel ⁹	7 DVD mit Hydrolab-Betriebssoftware
3 HL7-Sonde	8 USB-Kommunikationsmodul
4 Alkalibatterien (D-Zelle) (4x)	9 Sensorschutz mit Gewicht
5 Silikonfett, 0,25 oz	

Inbetriebnahme

Batterie einsetzen – HL4-Sonde

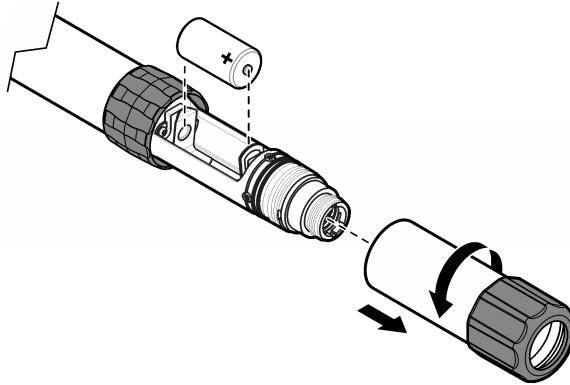
▲ WARNUNG



Explosionsgefahr. Das unsachgemäße Einlegen von Batterien kann zur Freisetzung explosiver Gase führen. Vergewissern Sie sich, dass Sie eine Batterie mit dem zulässigen Chemikaliertyp verwenden und dass sie mit der korrekten Polung eingelegt wurde.

Bei Geräten mit internem Batteriesatz legen Sie die im Lieferumfang enthaltene Batterie (D-Zelle) ein. Siehe [Abbildung 5](#).

Abbildung 5 Einlegen der Batterien



Batterien einsetzen – HL7-Sonde

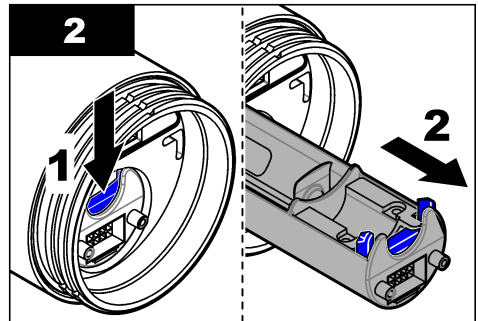
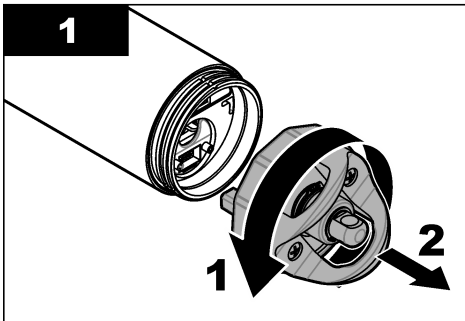
⚠ WARNUNG

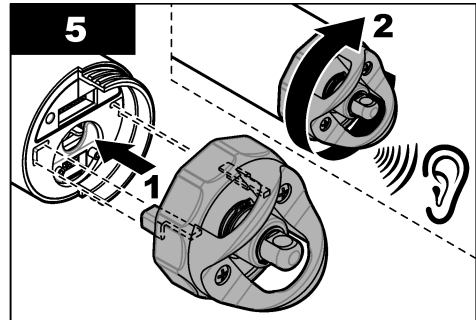
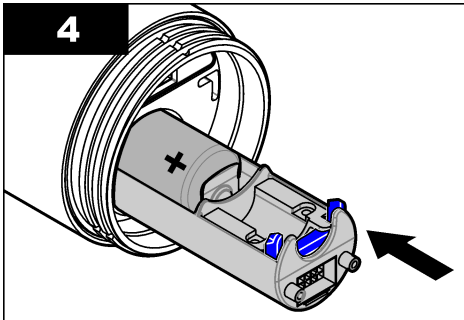
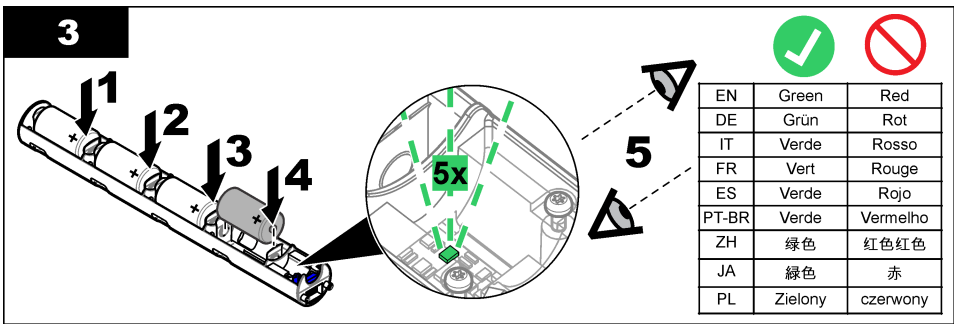


Explosionsgefahr. Das unsachgemäße Einlegen von Batterien kann zur Freisetzung explosiver Gase führen. Vergewissern Sie sich, dass Sie Batterien mit dem zulässigen Chemikaliertyp verwenden und dass sie mit der korrekten Polung eingelegt wurden. Verwenden Sie nicht alte und neue Batterien zusammen. Verwenden Sie nicht Batterien verschiedener Hersteller zusammen. Verwenden Sie keine beschädigten Batterien.

Setzen Sie die vier mitgelieferten Batterien (D-Zelle) ein. Berücksichtigen Sie dabei die folgenden bebilderten Schritte.

Ist die letzte Batterie eingesetzt, beginnt die Batterie-Anzeigeleuchte grün zu leuchten. Leuchtet die Batterie-Anzeigeleuchte rot, haben die Batterien nicht genügend Energie.





Installieren der Software

Installieren Sie die Hydrolab-Betriebssoftware auf einem Computer.

Zusätzlich erforderliche Artikel:

- Computer mit Windows XP SP3 oder einer neueren Version
- DVD mit Hydrolab-Betriebssoftware

1. Legen Sie die DVD in den Computer ein. Das Installationsprogramm wird gestartet.
2. Führen Sie die angezeigten Schritte durch, um die Software im Computer zu installieren.

Anschluss an den Computer

Schließen Sie das Gerät an den Computer an.

Zusätzlich erforderliche Artikel:

- Computer mit Hydrolab-Betriebssoftware
- Kalibrierkabel oder optionales Unterwasserkabel
- Kommunikationsmodul
- Netzadapter¹²

1. Schließen Sie das Gerät an den Computer an. Siehe [Abbildung 6](#).

Drehen Sie den unteren Teil der Vertäuungskappe, um sie von der Sonde zu entfernen. Der obere Teil der Kappe kann nicht gedreht werden, wenn die Vertäuungskappe montiert ist.

Hinweis: [Abbildung 6](#) zeigt die HL4-Sonde. Die Schritte sind dieselben für die HL7-Sonde.

¹² Optional für Geräte mit internem Batteriesatz.

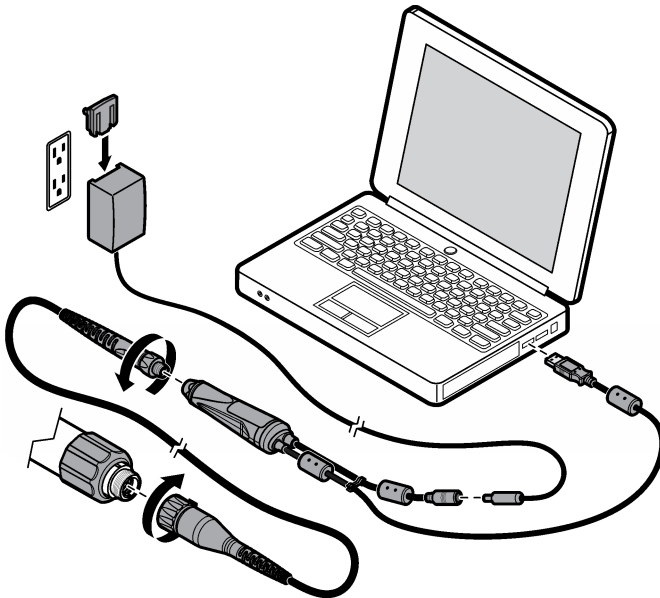
Soll ein anderes als das abgebildete Netzteil oder Kommunikationsmodul verwendet werden, finden Sie weitere Informationen in der Dokumentation, die mit dem Netzteil oder Kommunikationsmodul geliefert wird.

Hinweis: Ein externer Stromversorgungsanschluss ist bei Geräten mit internem Batteriesatz optional. Bei Verwendung einer externen Stromversorgung wird/werden die Batterie(n) nicht verwendet.

2. Bei der Ersteinstallation sowie bei jeder Änderung des USB-Anschlusses des Computers geschieht Folgendes:
 - a. Windows zeigt an, dass ein neues Gerät gefunden wurde, und öffnet ein Assistentenfenster. Wählen Sie **Nein, diesmal nicht**, um nach Software zu suchen, und klicken Sie dann auf **Weiter**.
 - b. Wählen Sie **Software automatisch installieren (empfohlen)** und klicken Sie auf **Weiter**. Eine DVD ist nicht erforderlich.
Windows installiert den Softwaretreiber für das Kommunikationsmodul.
3. Starten Sie die Hydrolab-Betriebssoftware. Das angeschlossene Gerät wird im Feld „Mit Gerät verbinden“ angezeigt.

Hinweis: Wird Schritt 2 bei der erstmaligen Installation nicht ausgeführt, so wird das Gerät im Feld „Mit Gerät verbinden“ nicht angezeigt.
4. Wählen Sie das Gerät aus, und klicken Sie auf **Verbinden**.

Abbildung 6 Anschließen des Geräts an den Computer



Betrieb

Konfiguration

Lesen Sie das *Hydrolab-Betriebssoftwarehandbuch*, um die Software, das Gerät bzw. die Sensoreinstellungen zu konfigurieren. Sehen Sie sich das *Hydrolab-Betriebssoftwarehandbuch* an, starten Sie die Hydrolab-Betriebssoftware, klicken Sie auf „Help“ (Hilfe) und wählen Sie die Hydrolab-Betriebssoftwarehilfe aus.

Kalibrierung

▲ VORSICHT



Gefahr von Kontakt mit Chemikalien. Halten Sie sich an die Sicherheitsmaßnahmen im Labor, und tragen Sie Schutzkleidung entsprechend den Chemikalien, mit denen Sie arbeiten. Beachten Sie die Sicherheitsprotokolle in den aktuellen Material Sicherheitsdatenblättern (MSDS/SDB).

▲ VORSICHT



Gefahr von Kontakt mit Chemikalien. Entsorgen Sie Chemikalien und Abfälle gemäß lokalen, regionalen und nationalen Vorschriften.

Kalibrieren Sie die Sensoren vor der erstmaligen Verwendung sowie in regelmäßigen Abständen und nach jeder Wartung oder Modifikation von Sensoren. Überprüfen Sie die Kalibrierung von Zeit zu Zeit, um sicherzustellen, dass sich die Messwerte weiterhin innerhalb des Toleranzbereichs befinden.

Sehen Sie im *Handbuch zur Hydrolab-Betriebssoftware* nach, um Anweisungen zum Ausführen der folgenden Vorgänge zu erhalten:

- Starten der Sensorkalibrierung
- Starten der Sensorkalibrierungsprüfung
- Einstellen des Kalibrierungsmodus
- Auswahl der Maßeinheiten, die während der Kalibrierung und Kalibrierungsprüfungen angezeigt werden
- Anzeigen des Kalibrierungsverlaufs

Sie können auf das *Handbuch zur Hydrolab-Betriebssoftware* zugreifen, indem Sie die Hydrolab-Betriebssoftware starten, auf „Hilfe“ klicken und „Hilfe zur Hydrolab-Betriebssoftware“ auswählen.

Beim Starten einer Kalibrierung oder einer Kalibrierungsprüfung wird die Schritt-für-Schritt-Anleitung für den Sensor auf dem Display angezeigt.

Vorbereiten der Sensoren für die Kalibrierung

Spülen Sie den Aufbewahrungs-/Kalibrierbecher vor der Kalibrierung stets aus und reinigen Sie die Sensoren, um eine Verschmutzung der Kalibrierungsstandards zu vermeiden.

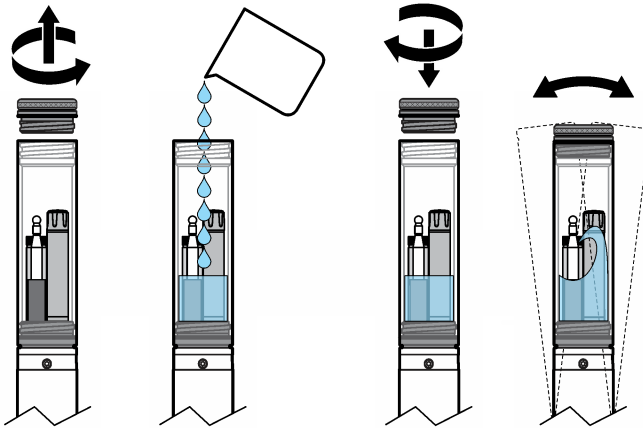
1. Spülen Sie den Aufbewahrungs-/Kalibrierbecher mit sauberem Wasser aus.
2. Reinigen Sie die Sensoren. Anleitungen finden Sie in der Sensordokumentation.
3. Spülen Sie die Sensoren mindestens drei Mal mit deionisiertem Wasser. Siehe [Abbildung 7](#).

Hinweis: [Abbildung 7](#) zeigt die HL4-Sonde. Die Schritte sind dieselben für die HL7-Sonde.

4. Spülen Sie die Sensoren mindestens zwei Mal mit einem Kalibrierungsstandard. Siehe [Abbildung 7](#).

Um optimale Ergebnisse zu erzielen, entsorgen Sie das deionisierte Wasser und den Kalibrierungsstandard nach jedem Spülvorgang.

Abbildung 7 Spülen der Sensoren



Richtlinien zum Einsatz

HINWEIS

Montieren Sie vor dem Einsatz immer die Vertäuungskappe, oder schließen Sie das Unterwasserkabel an das Gerät an, um den Anschluss trocken zu halten. Verwenden Sie nicht das Kalibrierkabel für den Einsatz, da der Anschluss sonst nass wird.

HINWEIS

Montieren Sie vor dem Einsatz immer den Sensorschutz, da sonst der Sensor beschädigt werden kann.

- Belasten Sie das Gerät mit maximal 68 kg (150 lb) Zusatzgewicht, wenn die Vertäuungskappe verwendet wird.
- Belasten Sie das Gerät mit maximal 113 kg (250 lb) Zusatzgewicht, wenn das Unterwasserkabel verwendet wird.
- Hängen Sie keine Gewichte an den Sensorschutz. Informationen zur Zugfestigkeit der Vertäuungskappe und des Unterwasserkabels finden Sie unter [Technische Daten](#) auf Seite 27.

Pflege des Kabels

- Fetten Sie die Dichtungsfläche der Vertäuungskappe und des optionalen Unterwasserkabels regelmäßig sowie bei Bedarf mithilfe eines Wattestäbchens mit Silikonfett.
- Verlegen Sie alle nicht-wasserfesten Kabel (alle Kabel außer dem Unterwasserkabel) in einer sauberen, trockenen und korrosionsfreien Umgebung. Wenn ein Kabel verschmutzt oder nass wird, reinigen Sie es bzw. lassen Sie es an der Luft trocknen, bevor Sie es erneut verwenden.
- Wickeln Sie nicht-wasserfestes Kabel nicht in Spulen mit einem Durchmesser unter 30,5 cm (12 Zoll) auf, da das Kabel sonst beschädigt werden könnte.
- Verknoten Sie das Kabel nicht und verwenden Sie keine Clips zur Markierung einer Tiefe.
- Biegen Sie das Unterwasserkabel nicht und führen Sie es nicht über Umlenkrollen mit einem Radius von weniger als 10 cm (4 Zoll) bzw. einem Durchmesser von weniger als 20 cm (8 Zoll) im Durchmesser.
- Wenn die Kabel sehr lang sind, verwenden Sie eine elektrisch oder manuell betriebene Spule mit elektrischen Schleifringen zum Absenken und Hochziehen des Geräts. Für kürzere Kabel kann eine leichtere Spule ohne Schleifringe verwendet werden.

Kurzzeitiger Einsatz (beaufsichtigt)

HINWEIS

Verwenden Sie das Gerät nicht an Orten, an denen das Unterwasserkabel durch Schiffsschrauben oder andere bewegliche Objekte durchtrennt oder beschädigt werden könnte.

Einsatz mit einem Computer

Zusätzlich erforderliche Artikel:

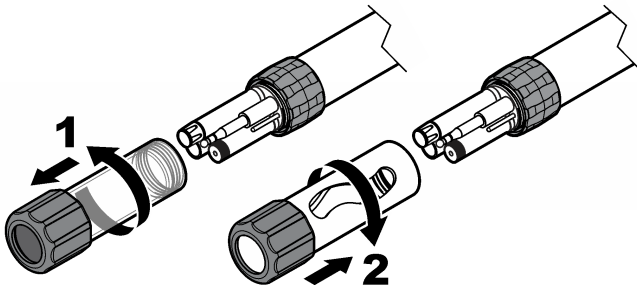
- Computer mit Hydrolab-Betriebssoftware
- Sensorschutz
- Unterwasserkabel
- USB-Kommunikationsmodul
- Netzadapter¹³

1. Schließen Sie das Gerät an den Computer an. Siehe [Anschluss an den Computer](#) auf Seite 34. Achten Sie darauf, dass Sie das Unterwasserkabel und nicht das Kalibrierkabel verwenden.
2. Entfernen Sie den Aufbewahrungs-/Kalibrierbecher. Siehe [Abbildung 8](#). Bewahren Sie den Aufbewahrungs-/Kalibrierbecher für die spätere Verwendung auf.
Hinweis: [Abbildung 8](#) zeigt die HL4-Sonde. Die Schritte sind dieselben für die HL7-Sonde.
3. Installieren des Sensorschutzes. Siehe [Abbildung 8](#).
Lassen Sie die Sensoren nicht austrocknen.
4. Senken Sie das Gerät in das zu messende Wasser ab. Um optimale Ergebnisse zu erzielen, sollte das gesamte Gerät ins Wasser eingetaucht werden.
5. Klicken Sie auf **Überwachung**, um Echtzeitmessungen anzuzeigen. Schlagen Sie im *Hydrolab Operating Software Manual* nach, um Messwerte zu erfassen und/oder die Ansicht zu verändern.

Hinweis: Sehen Sie sich das [Hydrolab-Betriebssoftwarehandbuch](#) an, starten Sie die [Hydrolab-Betriebssoftware](#), klicken Sie auf „Help“ (Hilfe) und wählen Sie die [Hydrolab-Betriebssoftwarehilfe](#) aus.

Nach abgeschlossener Messung bereiten Sie das Gerät auf den Transport vor. Siehe [Vorbereitung der Aufbewahrung oder des Transports](#) auf Seite 48.

Abbildung 8 Installieren des Sensorschutzes



Einsatz mit einer Durchflusszelle

⚠ WARNUNG

Verletzungsgefahr. Stellen Sie sicher, dass der Probedruck weniger als 103 kPa (15 psig) beträgt.

Zur Prozess- oder Pumpüberwachung installieren Sie die optionale Durchflusszelle auf der Sonde, und drücken Sie das Probenwasser durch die Durchflusszelle. Siehe [Abbildung 9](#).

Stellen Sie sicher, dass der Wasserdruck in der Durchflusszelle nicht über 103 kPa (15 psig) liegt. Sonst kann die Durchflusszelle brechen und zu Verletzungen führen.

¹³ Optional für Geräte mit internem Batteriesatz.

Zusätzlich erforderliche Artikel:

- Computer mit Hydrolab-Betriebssoftware oder der Surveyor HL Hand-Controller
- Unterwasserkabel
- Durchflusszelle
- Schlauchleitungen, ½-Zoll
- Wasserfilter (optional)
- Wasserpumpe oder Siphon (optional)
- USB-Kommunikationsmodul (wenn ein PC verwendet wird)
- Netzadapter¹⁴

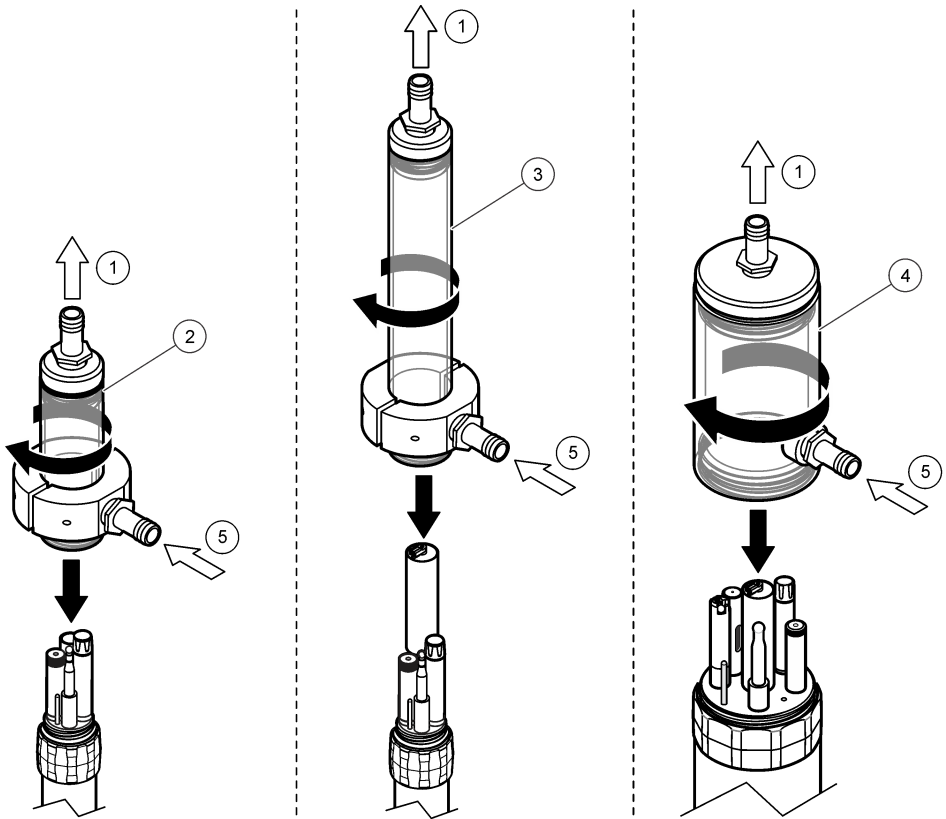
1. Um einen PC zu verwenden, schließen Sie das Gerät an den Computer an. Siehe [Anschluss an den Computer](#) auf Seite 34. Achten Sie darauf, dass Sie das Unterwasserkabel und nicht das Kalibrierkabel verwenden.
2. Um einen Surveyor HL zu verwenden, schließen Sie das Gerät an einen Surveyor HL an. Lesen Sie das *Surveyor HL Benutzerhandbuch*. Achten Sie darauf, dass Sie das Unterwasserkabel und nicht das Kalibrierkabel verwenden.
3. Entfernen Sie den Aufbewahrungs-/Kalibrierbecher. Bewahren Sie den Aufbewahrungs-/Kalibrierbecher für die spätere Verwendung auf.
4. Installieren Sie die optionale Durchflusszelle. Siehe [Abbildung 9](#). Lassen Sie die Sensoren nicht austrocknen.
5. Verbinden Sie zwei Schlauchleitungsteile von einem ½-Zoll mit den Probenzulauf- und Probenablaufanschlüssen.
6. Bringen Sie das offene Ende des Probenablaufschlauchs an einem offenen Ablauf oder Sammelbehälter an.
7. Geben Sie das offene Ende des Probenzulaufschlauchs in das Probenwasser. Entfernen Sie, falls nötig, mit einem Filter unerwünschtes Material aus dem Probenwasser.
8. Falls möglich, drehen Sie die Sonde, sodass Luftblasen die Sensoren über den Probenablaufanschluss verlassen können.
9. Beginnen Sie mit dem Zufluss von Probenwasser zur Durchflusszelle.
10. Klicken Sie auf **Überwachung**, um Echtzeitmessungen anzuzeigen. Schlagen Sie im *Hydrolab-Betriebssoftwarehandbuch* oder *Surveyor HL Betriebshandbuch* nach, um Messwerte zu erfassen und/oder die Ansicht zu verändern.

Hinweis: Sehen Sie sich das *Hydrolab-Betriebssoftwarehandbuch* an, starten Sie die *Hydrolab-Betriebssoftware*, klicken Sie auf „Help“ (Hilfe) und wählen Sie die *Hydrolab-Betriebssoftwarehilfe* aus.

Nach abgeschlossener Messung bereiten Sie das Gerät auf den Transport vor. Siehe [Vorbereitung der Aufbewahrung oder des Transports](#) auf Seite 48.

¹⁴ Optional für Geräte mit internem Batteriesatz.

Abbildung 9 Einsetzen einer Durchflusszelle



1 Probenablauf	4 Durchflusszelle für HL7
2 Durchflusszelle für HL4	5 Probenzulauf
3 Durchflusszelle für HL4 mit einem verlängerten Sensor	

Langfristiger (unbeaufsichtigter) Einsatz

Einsatz mit Vertäuungskappe

Nur Geräte mit internem Batteriesatz können mit einer Vertäuungskappe bereitgestellt werden.

Zusätzlich erforderliche Artikel:

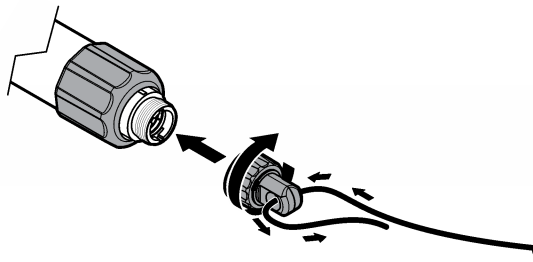
- Computer mit Hydrolab-Betriebssoftware
- Sensorschutz
- Vertäuungskappe
- Seil oder Drahtleitung
- Kalibrierkabel
- USB-Kommunikationsmodul
- Netzadapter¹⁵

¹⁵ Optional für Geräte mit internem Batteriesatz.

1. Fügen Sie im Büro oder vor Ort ein neues Protokoll zum Gerät hinzu.
Messungen werden gemäß ausgewähltem Messintervall und Datenbereich im neuen Protokoll gespeichert.
 - a. Schließen Sie das Gerät an einen Computer an. Siehe [Anschluss an den Computer](#) auf Seite 34.
 - b. Klicken Sie auf **Protokollierung** und fügen Sie ein neues Protokoll hinzu. Siehe *Protokollierung* in der Online-Hilfe.
 - c. Wählen Sie **Datei > Von Gerät trennen**, um das Gerät vom Computer zu trennen.
Hinweis: Alternativ dazu können Sie auch auf Geräte klicken, das Gerät auswählen und dann auf Trennen klicken.
 - d. Trennen Sie das Kalibrierkabel vom Gerät.
2. Montieren Sie die Vertäuungskappe auf dem Gerät. Siehe [Abbildung 10](#). Drehen Sie den unteren Teil der Vertäuungskappe, um sie zu montieren.
Hinweis: [Abbildung 10](#) zeigt die HL4-Sonde. Die Schritte sind dieselben für die HL7-Sonde.
3. Befestigen Sie vor Ort ein Seil oder eine Drahtleitung an der Vertäuungskappe und/oder dem Bügel (nur HL7-Sonde). Siehe [Abbildung 10](#).
4. Entfernen Sie den Aufbewahrungs-/Kalibrierbecher. Siehe [Abbildung 8](#) auf Seite 38. Bewahren Sie den Aufbewahrungs-/Kalibrierbecher für die spätere Verwendung auf.
5. Installieren des Sensorschutzes. Siehe [Abbildung 8](#) auf Seite 38.
Lassen Sie die Sensoren nicht austrocknen.
6. Senken Sie das Gerät in das zu messende Wasser ab. Um optimale Ergebnisse zu erzielen, sollte das gesamte Gerät ins Wasser eingetaucht werden.
7. Montieren Sie das Gerät an einer Boje, einem Anker oder einem Bauwerk. Siehe [Montieren an einer Boje, einem Anker oder einem Bauwerk](#) auf Seite 43.

Nach abgeschlossenem Einsatz bereiten Sie das Gerät auf den Transport vor. Siehe [Vorbereitung der Aufbewahrung oder des Transports](#) auf Seite 48.

Abbildung 10 Montieren der Vertäuungskappe



Einsatz mit Datenerfassungssystem oder Steuerung

Um Echtzeitmessdaten von einem entfernten Standort aus vom Gerät abzurufen, schließen Sie das Gerät an ein Datenerfassungssystem (Datenlogger oder Modem) oder eine Steuerung mit einem entsprechenden Kommunikationsmodul an.

Das Gerät bleibt im Ruhemodus, bis es vom externen Gerät angewiesen wird, sich einzuschalten, eine Messung durchzuführen und die Messdaten an das externe Gerät zu senden. Informationen über die vom Gerät unterstützten SDI-12 und TTY-Befehle finden Sie in der Online-Hilfe.

Konfiguration des Kommunikationsmoduls

Zusätzlich erforderliche Artikel:

- Computer mit Hydrolab-Betriebssoftware
- Kommunikationsmodul

1. Schließen Sie im Büro oder vor Ort das entsprechende Kommunikationsmodul an einen USB-Anschluss des Computers an.
2. Starten Sie die Hydrolab-Betriebssoftware. Das angeschlossene Kommunikationsmodul wird im Feld „Mit Gerät verbinden“ angezeigt.
3. Wählen Sie das Kommunikationsmodul aus, und klicken Sie auf **Verbinden**. Das Konfigurationsfenster für das Kommunikationsmodul wird angezeigt.
4. Konfigurieren Sie das Kommunikationsmodul. Siehe *Konfiguration* in der Online-Hilfe.
5. Trennen Sie nach Abschluss der Konfiguration das Kommunikationskabel vom Computer.
 - a. Wählen Sie **Datei > Von Gerät trennen**, um das Kommunikationskabel vom Computer zu trennen.

*Hinweis: Alternativ dazu können Sie auch auf **Geräte** klicken, das Kommunikationskabel auswählen und dann auf **Trennen** klicken.*
 - b. Trennen Sie das Kommunikationskabel vom Computer.

Anschließen des Kommunikationsmoduls

Zusätzlich erforderliche Artikel:

- Datenerfassungssystem oder Steuergerät
 - Kommunikationsmodul (konfiguriert)
 - Externe Stromversorgung 6-24 VDC (12 VDC nominal)¹⁶
1. Schließen Sie vor Ort das Kommunikationsmodul an das Datenerfassungssystem oder Steuergerät an. Weitere Informationen zur Verkabelung finden Sie in der Dokumentation, die mit dem Kommunikationsmodul geliefert wird. Informationen zur Verkabelung für die Datenübertragung finden Sie unter [Verdrahtung der Datenübertragung und Stromversorgung](#) auf Seite 42.
 2. Wenn das Datenerfassungssystem oder Steuergerät die Speisung des Kommunikationsmoduls nicht übernehmen kann, schließen Sie eine externe Stromversorgung an das Kommunikationsmodul an. Informationen zur Verkabelung der externen Stromversorgung finden Sie unter [Verdrahtung der Datenübertragung und Stromversorgung](#) auf Seite 42.

Verdrahtung der Datenübertragung und Stromversorgung

Achten Sie beim Anschließen von Datenübertragungskabeln an das Kommunikationsmodul darauf, dass das Übertragungskabel für den Betriebsstrom ausgelegt ist und es Daten verzerrungsfrei übertragen kann. Für eine Kabellänge bis 305 m (1000 ft) sind drei Drähte der Stärke AWG 26 (Querschnitt 0,129 mm²) ausreichend.

Für den Anschluss der externen Stromversorgung an das Kommunikationsmodul werden zwei Drähte der Stärke AWG 18 (Querschnitt 0,823 mm²) verwendet. Kleinere Querschnitte können verwendet werden, wenn sich das Netzteil in der Nähe des Geräts befindet.

Einsatz des Geräts

Zusätzlich erforderliche Artikel:

- Unterwasserkabel
 - Sensorschutz
1. Schließen Sie das Unterwasserkabel an das Kommunikationsmodul an. Achten Sie darauf, dass Sie das Unterwasserkabel und nicht das Kalibrierkabel verwenden.
 2. Schließen Sie das Unterwasserkabel an das Gerät an.

¹⁶ Optional für Geräte mit internem Batteriesatz. Nicht erforderlich, wenn das Datenerfassungssystem oder Steuergerät die Speisung des Kommunikationsmoduls übernehmen kann.

3. Entfernen Sie den Aufbewahrungs-/Kalibrierbecher und montieren Sie den Sensorschutz. Bewahren Sie den Aufbewahrungs-/Kalibrierbecher für die spätere Verwendung auf. Siehe [Abbildung 8](#) auf Seite 38. Lassen Sie die Sensoren nicht austrocknen.
4. Senken Sie das Gerät in das zu messende Wasser ab. Um optimale Ergebnisse zu erzielen, sollte das gesamte Gerät ins Wasser eingetaucht werden. Legen Sie das Kommunikationsmodul nicht ins Wasser.
5. Montieren Sie das Gerät und die Verkabelung an einem Bauwerk. Siehe [Montieren an einer Boje, einem Anker oder einem Bauwerk](#) auf Seite 43.

Nach abgeschlossenem Einsatz bereiten Sie das Gerät auf den Transport vor. Siehe [Vorbereitung der Aufbewahrung oder des Transports](#) auf Seite 48.

Montieren an einer Boje, einem Anker oder einem Bauwerk

HINWEIS

Montieren Sie das Gerät nicht mithilfe von Rohrschellen, da das Gerät sonst beschädigt werden könnte.

Zur unbeaufsichtigten Überwachung montieren Sie das Gerät an einer Boje, an einem Anker oder einem Bauwerk.

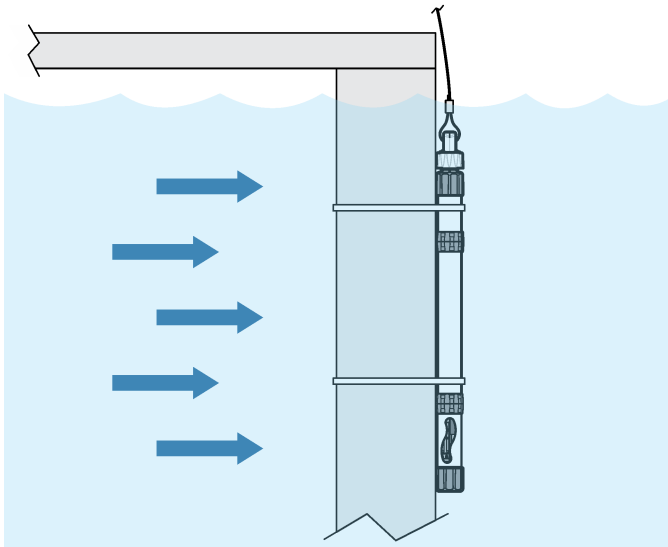
Der Installationsort muss folgende Bedingungen erfüllen:

- Das Gerät darf nicht durch Treibgut, Sand, Kies, Schlack, Schiffsverkehr oder Vandalismus beschädigt werden können
- Das Gerät darf nicht mit Schlamm in Berührung kommen können, beispielsweise bei Ebbe
- Am Gerät und seinen Sensoren darf sich kein Eis bilden können

Montage des Geräts:

- An einer Boje – Verwenden Sie eine Markierungsboje, die keine Aufmerksamkeit für auf sich zieht, um Vandalismus zu vermeiden.
- An einem Bauwerk – Montieren Sie das Gerät an der flussabwärts weisenden Seite von Pfeilern, um Beschädigungen durch Treibgut zu vermeiden. Siehe [Abbildung 11](#). Montieren Sie Befestigungselemente wie Riemen oder große Kabelbinder vorsichtig an beiden Enden des Gerätegehäuses. Bringen Sie das Unterwasserkabel in gleicher Weise an (falls verwendet), sodass das Kabel nicht durch Treibgut, Schiffsverkehr oder Vandalismus beschädigt werden kann. Zur Vermeidung von Vandalismus montieren Sie das Gerät und das Kabel an einem möglichst gut verborgenen Ort.

Abbildung 11 Anbringen des Geräts an einem Bauwerk



Wartung

⚠ VORSICHT



Mehrere Gefahren. Nur qualifiziertes Personal sollte die in diesem Kapitel des Dokuments beschriebenen Aufgaben durchführen.

⚠ VORSICHT



Verletzungsgefahr. Aufgrund von Druckaufbau innerhalb des Geräts können sich abnehmbare Teile ggf. mit hoher Geschwindigkeit lösen, sobald sie gelockert werden. Lockern und entfernen Sie die Teile nur langsam. Stellen Sie sicher, dass keine Personen von sich lösenden Teilen getroffen werden können, und tragen Sie bei Wartungs- oder Servicetätigkeiten stets die entsprechende Schutzkleidung.

HINWEIS

Zerlegen Sie das Gerät nicht für Wartungszwecke, ohne eine Genehmigung vom Hersteller erhalten zu haben. Falls eine Reinigung oder Instandsetzung von externen Bauteilen erforderlich ist, wenden Sie sich an den Hersteller.

HINWEIS

Das Gerät muss sich stets in einer Umgebung befinden, in der die Sensoren nicht gefrieren können, da sie sonst Schaden erleiden.

Reinigung des Gehäuses und des Sensorschutzes

HINWEIS

Um Schäden an einigen Sensoren und am Gerät zu vermeiden, dürfen zum Reinigen des Gehäuses und des Sensorschutzes keine Lösungsmittel verwendet werden, die Kunststoffe angreifen.

Überprüfen Sie das Gehäuse und den Sensorschutz regelmäßig. Reinigen Sie das Gehäuse und den Sensorschutz nach Bedarf, um unerwünschte Materialien und Ablagerungen zu entfernen.

1. Entfernen Sie den Sensorschutz vom Gerät.
2. Gießen Sie mindestens 2,5 cm (1 Zoll) einer Pufferlösung mit pH-Wert 4 oder sauberes Leitungswasser in den Aufbewahrungs-/Kalibrierbecher.
3. Montieren Sie den Aufbewahrungs-/Kalibrierbecher auf dem Gerät.
4. Reinigen Sie das Gehäuse und den Sensorschutz mit:
 - mildem Reinigungsmittel
 - einer ungiftigen Entfettungslösung, wie etwa Simple Green® (einer eingetragenen Marke von Sunshine Makers, Inc.)
 - warmem Wasser
 - einer sauberen, weichen Zahnbürste
 - einem weichen Tuch und/oder Wattestäbchen

Lassen Sie den Sensorschutz und/oder das Gehäuse bei Bedarf mindestens 30 Minuten lang in Wasser einweichen, damit Verunreinigungen sich besser entfernen lassen.

5. Spülen Sie das Gehäuse und den Sensorschutz mit sauberem Wasser.

Reinigung der Sensoren

Überprüfen Sie die Sensoren regelmäßig auf unerwünschte Materialien, anorganische und biologische Ablagerungen sowie auf Beschädigungen. Reinigen Sie die Sensoren, wenn unerwünschte Materialien vorgefunden werden. Reinigen Sie die Sensoren außerdem, wenn die Sensorleistung nachlässt. Anleitungen zur Reinigung finden Sie in der Sensordokumentation.

Ersetzen Sie beschädigte Teile. Ersetzen Sie durch Ablagerungen und/oder biologische Materialien beschmutzte Teile, wenn diese die Leistung des Geräts beeinträchtigen und nicht entfernt werden können. Anleitungen zur Wartung finden Sie in der Sensordokumentation.

Auswechseln der Batterien(s)

▲ WARNUNG



Explosionsgefahr. Leere Batterien können eine Ansammlung von Wasserstoffgas im Gerät verursachen. Wechseln Sie die Batterie, bevor diese leer wird. Entfernen Sie die Batterie, wenn Sie das Gerät längere Zeit nicht verwenden. Batterien müssen entsprechend den lokalen, regionalen und nationalen Vorschriften entsorgt werden.

Ersetzen Sie bei HL4-Sonden mit internem Batteriesatz die Alkalibatterie (D-Zelle), wenn die Batterieladung schwach wird. Siehe [Abbildung 5](#) auf Seite 33.

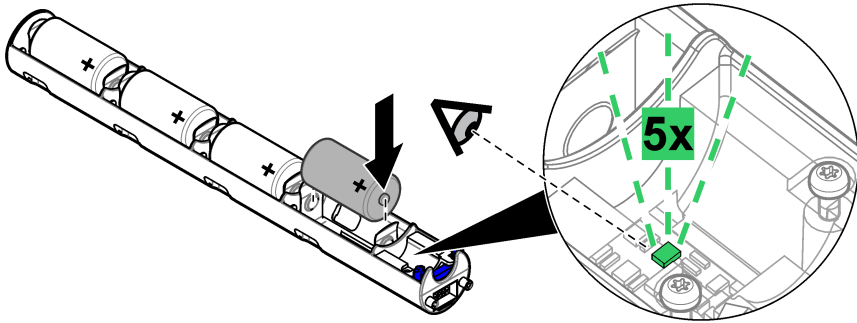
Ersetzen Sie bei HL7-Sonden die Alkalibatterien (vier D-Zellen), wenn die Batterieladung schwach wird. Siehe [Batterien einsetzen – HL7-Sonde](#) auf Seite 33. Stellen Sie sicher, dass die Batterie-Anzeigeleuchte grün leuchtet, wenn die letzte Batterie eingesetzt wurde. Siehe [Abbildung 12](#). Leuchtet die Batterie-Anzeigeleuchte rot, haben die Batterien nicht genügend Energie.

Hinweis: Die Batterieladung wird oben im Fenster der Hydrolab-Betriebssoftware angezeigt.

Stellen Sie sicher, dass sich die Sonde in horizontaler Lage befindet, wenn das Batteriefach geöffnet wird, damit das Wasser auf der Abdeckung nicht in das Batteriefach laufen kann. Wenn Wasser in das Batteriefach gelangt, entfernen Sie die Batterie, leeren Sie das Wasser aus und trocknen Sie das Fach mit einem Tuch vollständig ab. Lassen Sie das Batteriefach an der Luft vollständig trocknen, um Korrosion zu vermeiden.

Hinweis: Die interne Uhrbatterie darf ohne Genehmigung des Herstellers nicht vom Benutzer ausgetauscht werden.

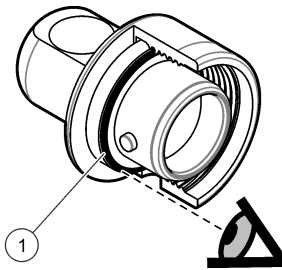
Abbildung 12 Batterie-Anzeigeleuchte



Überprüfen der O-Ringe und der Dichtung

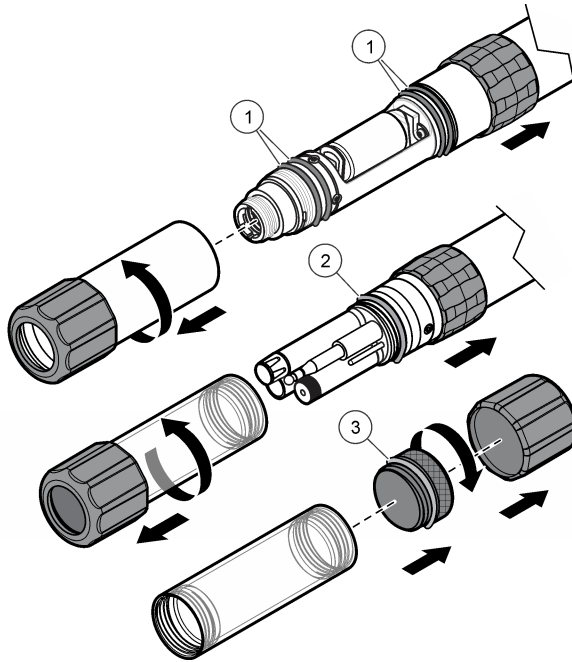
1. Überprüfen Sie regelmäßig die O-Ringe und die Dichtung der Vertäuungskappe auf unerwünschte Materialien, Verschleiß oder Schäden. Siehe [Abbildung 13](#) oder [Abbildung 15](#).
2. Entfernen Sie unerwünschte Materialien von den O-Ringen und der Vertäuungskappe.
3. Ersetzen Sie O-Ringe, die sichtbare Schäden oder Verschleißerscheinungen aufweisen (beispielsweise Risse oder fehlende Teile). Ersetzen Sie sie durch O-Ringe vom Hersteller.
4. Tragen Sie Silikonfett auf die O-Ringe auf, damit sie nicht kleben und nicht verrutschen können.
5. Ersetzen Sie die Vertäuungskappe, wenn die Dichtung sichtbare Schäden oder Verschleißerscheinungen aufweist.

Abbildung 13 Position der Dichtung



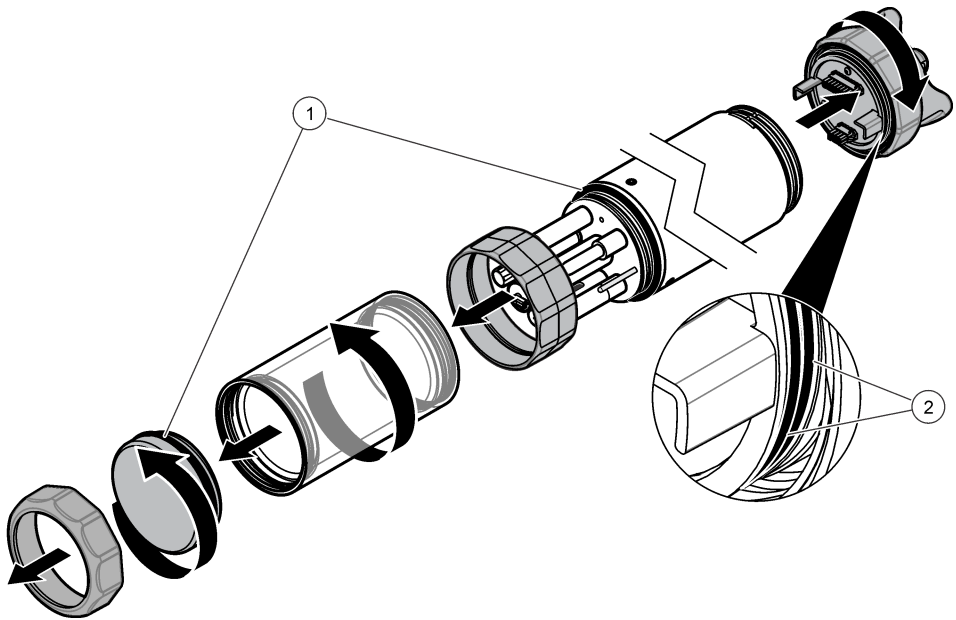
1 Dichtung der Vertäuungskappe

Abbildung 14 O-Ring-Positionen – HL4-Sonde



1 O-Ringe des Batteriefachs (4x)	3 O-Ring der Kalibrierkappe
2 O-Ring des Aufbewahrungs-/Kalibrierbechers	

Abbildung 15 O-Ring-Positionen – HL7-Sonde



1 O-Ringe des Aufbewahrungs-/Kalibrierbechers (2x)

2 O-Ringe des Batteriefachs (2x)

Vorbereitung der Aufbewahrung oder des Transports

HINWEIS

Das Gerät muss sich stets in einer Umgebung befinden, wo das Wasser im Aufbewahrungs-/Kalibrierbecher nicht gefrieren kann, da sonst die Sensoren beschädigt werden.

HINWEIS

Bewahren Sie die Sensoren nicht in deionisiertem Wasser oder Reinigungslösungen auf, da sie sonst Schaden erleiden.

HINWEIS

Bewahren Sie den Trübungssensor oder das Fluorometer nicht in einer gefärbten pH-Pufferlösung auf, da sonst die Sensoren beschädigt werden.

HINWEIS

Belassen Sie die Sensoren nicht über längere Zeit hinweg in Kontakt mit Probenwasser, da die Sensoren durch Wachstum organischer Stoffe verunreinigt werden können.

1. Spülen Sie das Gerät und die Sensoren mit sauberem Leitungswasser.
2. Entfernen Sie den Sensorschutz und montieren Sie den Aufbewahrungs-/Kalibrierbecher. Gießen Sie mindestens 2,5 cm (1 Zoll) einer ungefärbten Pufferlösung mit pH-Wert 4 oder sauberes Leitungswasser in den Aufbewahrungs-/Kalibrierbecher. Siehe [Abbildung 16](#).

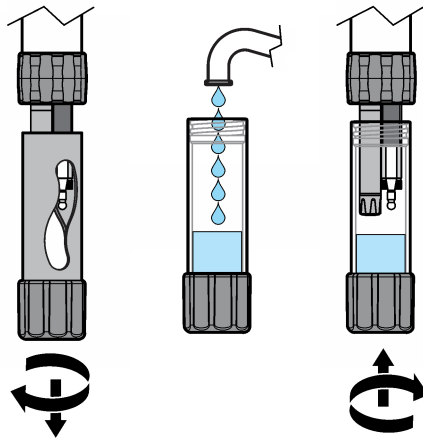
Hinweis: [Abbildung 16](#) zeigt die HL4-Sonde. Die Schritte sind dieselben für die HL7-Sonde.

Hinweis: Die Sensoren brauchen nicht im pH-Puffer oder Wasser aufbewahrt zu werden.

Hinweis: Bewahren Sie Sensoren, die den Gesamtgehalt an gelöstem Gas messen, nicht feucht auf, da sonst die Sensormembran beschädigt wird.

3. Vergewissern Sie sich, dass der endseitige Gummidämpfer am Aufbewahrungs-/Kalibrierbecher angebracht ist.
4. Montieren Sie die Vertäuungskappe am Anschluss, damit der Anschluss sauber und trocken bleibt.
5. Verstauen Sie alle nicht-wasserfesten Kabel (alle Kabel außer dem Unterwasserkabel) in einem trockenen Behälter. Wickeln Sie Kabel nicht in Spulen mit einem Durchmesser unter 30,5 cm (12 Zoll) auf, da das Kabel sonst beschädigt werden könnte.
6. Reinigen Sie die Sensoren vor dem Verstauen. Siehe die Sensordokumentation.
7. Entnehmen Sie vor einer längerfristigen Aufbewahrung die Batterie(n) (D-Zelle). Siehe [Abbildung 5](#) auf Seite 33 oder [Batterien einsetzen – HL7-Sonde](#) auf Seite 33. Für den Sensor sind vor einer längerfristigen Aufbewahrung keine weiteren Vorbereitungsschritte erforderlich.

Abbildung 16 Vorbereitung der Aufbewahrung oder des Transports



Vorbereitung nach einer längerfristigen Aufbewahrung

Wenn das Gerät länger als 1 Monat aufbewahrt wurde, gehen Sie folgendermaßen vor:

1. Ersetzen Sie den Elektrolyten in den Sensoren, falls zutreffend.
2. Kalibrieren Sie die Sensoren. Siehe [Kalibrierung](#) auf Seite 36.

Befeuchten der Sensoren

Wenn die Sensoren trocken geworden sind, weichen Sie sie vor der erneuten Verwendung in Wasser ein.

Hinweis: Bewahren Sie Sensoren, die den Gesamtgehalt an gelöstem Gas messen, nicht feucht auf, da sonst die Sensormembran beschädigt wird.

Fehlerbehebung

Schlagen Sie zur Fehlerbehebung im *Hydrolab-Betriebssoftwarehandbuch* nach. Sehen Sie sich das *Hydrolab-Betriebssoftwarehandbuch* an, starten Sie die Hydrolab-Betriebssoftware, klicken Sie auf „Help“ (Hilfe) und wählen Sie die Hydrolab-Betriebssoftwarehilfe aus.

Ersatzteile und Zubehör

⚠️ WARNUNG



Verletzungsgefahr. Die Verwendung nicht zugelassener Teile kann zur Verletzung von Personen, zu Schäden am Messgerät oder zu Fehlfunktionen der Ausrüstung führen. Die Ersatzteile in diesem Abschnitt sind vom Hersteller zugelassen.

Hinweis: Produkt- und Artikelnummern können für einige Verkaufsgebiete abweichen. Wenden Sie sich an den zuständigen Distributor oder schlagen Sie die Kontaktinformationen auf der Webseite des Unternehmens nach.

Ersatzteile – HL4-Sonde

Beschreibung	Bestellnr.
Batteriefachüberschub, HL4-Sonde	9047300
Batterieklemmenabdeckung, HL4-Sonde	9032000
Gummidämpfer, endseitig, HL4-Sonde	9383100
Gummidämpfer, mittig, HL4-Sonde	9383200
Kappe, Aufbewahrungs-/Kalibrierbecher, HL4-Sonde	9040900
O-Ring, Batteriefach, HL4-Sonde ¹⁷	9048400
O-Ring, Aufbewahrungs-/Kalibrierbecher und Kappe, HL4-Sonde	002811
Wartungssatz, Trübungssensor mit Wischer, HL4-Sonde	9480800
Sensorschutz, Standard, HL4-Sonde	9383700
Sensorschutz, Standard mit Gewicht, HL4-Sonde	9044100
Sensorschutz, verlängert, HL4-Sonde	9383800
Sensorschutz, verlängert mit Gewicht, HL4-Sonde	8734500
Sensorschutzgewicht, HL4-Sonde	9383900
Lieferpaket, HL4-Sonde	9309100
Aufbewahrungs-/Kalibrierbecher, Standard, HL4-Sonde	003306
Aufbewahrungs-/Kalibrierbecher, verlängert, HL4-Sonde	003395HY

Ersatzteile – HL7-Sonde

Beschreibung	Bestellnr.
Batteriesatz	HL7-BATTERIESATZ
Kappe, Aufbewahrungs-/Kalibrierbecher, HL7-Sonde	003609HY
O-Ring, Aufbewahrungs-/Kalibrierbecher und Kappe, HL7-Sonde	000568
Sensorschutz mit Gewicht, HL7-Sonde	8457100
Lieferpaket, HL7-Sonde	8490400
Aufbewahrungs-/Kalibrierbecher, HL7-Sonde	003608
Wartungssatz, Trübungssensor mit zentraler Reinigungsbürste und Wischer, HL7-Sonde	9480900

¹⁷ Für die HL4-Sonde werden vier an der Zahl benötigt.

Ersatzteile – HL4- und HL7-Sonde

Beschreibung	Bestellnr.
Kalibrierkabel	9310600
Staubkappe, USB-A-Stecker	9046200
Staubkappe, 5-poliger Stecker	9046100
Staubkappe, DC-Netzstecker	9046000
Kommunikationsmodul, USB	6748600
Hydrolab-Betriebssoftware, DVD	9512900
Wartungssatz, Standard-Referenzelektroden, einschließlich: O-Ring (000467HY), Salztabletten (005376HY), PTFE-Verbindung (000548HY) und Elektrolytlösung (005308HY)	014660HY
Wartungssatz, Kappenaustauschsatz, LDO-Sensor	007460
Wartungssatz, pH-Sensor mit integrierten Referenzelektroden, einschließlich: O-Ring (003396HY), Spritze, ¼-Zoll- Schraubenzieher, Salztabletten (005376HY), PTFE-Verbindung (002770HY), Elektrolytlösung (005308HY)	013410HY
Vertäuungskappe	9310500
Netzteil, Wechselspannung	002782
Silikonfett, 0,25 oz	000298HY

Zubehör

Beschreibung	Bestellnr.
Kommunikationsmodul, USB	6748600
Kommunikationsmodul, SDI-12	9039600
Kommunikationsmodul, RS485 Modbus	9039700
Kommunikationsmodul, RS232 Modbus	9039800
Kommunikationsmodul, RS232 TTY	9312900
Staubkappensatz, Kommunikationsmodule, einschließlich:	8808200
Staubkappe, DC-Netzstecker	9046000
Staubkappe, 5-poliger Stecker	9046100
Staubkappe, USB-A-Stecker	9046200
Staubkappe, DB9-Netzstecker	9045900
Unterwasserkabel, 5 m	CZ005
Unterwasserkabel, 10 m	CZ010
Unterwasserkabel, 15 m	CZ015
Unterwasserkabel, 25 m	CZ025
Unterwasserkabel, 30 m	CZ030
Unterwasserkabel, 50 m	CZ050
Unterwasserkabel, 75 m	CZ075
Unterwasserkabel, 100 m	CZ100

Zubehör (fortgesetzt)

Beschreibung	Bestellnr.
Unterwasserkabel, 150 m	CZ150
Unterwasserkabel, 200 m	CZ200
Unterwasserkabelkappe, Wasser-Ende	9714500
Durchflusszelle, HL4	014880
Durchflusszelle, HL4 mit einem verlängerten Sensor	013520HY
Durchflusszelle, HL7	014120

Sommario

Dati tecnici a pagina 53

Informazioni generali a pagina 54

Avvio a pagina 58

Funzionamento a pagina 61

Manutenzione a pagina 69

Individuazione ed eliminazione dei guasti a pagina 74

Parti di ricambio e accessori a pagina 74

Dati tecnici

I dati tecnici sono soggetti a modifica senza preavviso.

Dato tecnico	Dettagli
Dimensioni	<p>HL4: Ø 4,44 cm (1,75 poll.) senza protezioni in gomma; Ø 5,33 cm (2,1 poll.) con protezioni in gomma. Lunghezza: 51,43 cm (20,25 poll.) senza gruppo batteria interno e protezione del sensore standard; 66,36 cm (26,125 poll.) senza gruppo batteria interno e protezione del sensore estesa; 62,23 cm (24,5 poll.) con gruppo batteria interno e protezione del sensore standard; 77,787 cm (30,625 poll.) con gruppo batteria interno e protezione del sensore estesa</p> <p>HL7: Ø 8,9 cm (3,5 poll.) senza protezioni in gomma; Ø 9,6 cm (3,78 poll.) con protezioni in gomma. Lunghezza: 66,4 cm (26,1 poll.)</p>
Peso	<p>HL4: 2,2 kg (5 lb) con gruppo batteria interno, una batteria tipo D e bicchiere di calibrazione/trasporto senza liquido</p> <p>HL7: 4,5 kg (10 lb) con quattro batterie tipo D, bicchiere di calibrazione/trasporto senza liquido</p>
Requisiti di alimentazione	<p>HL4: 6 – 24 V c.c. (12 V c.c. nominale) applicata al modulo di comunicazione, 12 V c.c.: 250 mW (media), 18 W (picco)</p> <p>HL7: 6 – 24 V c.c. (12 V c.c. nominale) applicata al modulo di comunicazione, 12 V c.c.: 2,0 W (media), 24 W (picco)</p>
Gruppo batteria interno ¹	<p>HL4: una batteria alcalina tipo D interna, non ricaricabile. Circa 75 giorni di utilizzo con intervallo di registrazione di 15 minuti e tempo di riscaldamento predefinito con sensori di profondità, temperatura, conducibilità, pH e LDO installati e a temperatura ambiente.</p> <p>HL7: quattro batterie alcaline tipo D interne, non ricaricabili. Circa 90 giorni di utilizzo con intervallo di registrazione di 15 minuti e tempo di riscaldamento predefinito con sensori di temperatura, conducibilità, pH, LDO, clorofilla a, alghe verdi-azzurre (per acqua dolce) e di torbidità installati, una spazzola di pulizia centrale impostata su un giro e sensori a temperatura ambiente.</p>
Temperatura di esercizio ²	–Da 5 a 50 °C (da 23 a 122 °F), senza congelamento
Temperatura di conservazione	Da 1 a 50 °C (da 34 a 122 °F)
Profondità	200 m (656 piedi) massimo <i>Nota: alcuni sensori non possono essere utilizzati a 200 m (656 piedi). Fare riferimento alla documentazione del sensore per le specifiche relative alla profondità del sensore.</i>
Resistenza alla trazione (massima)	Cappuccio per ormeggio: 68 kg (150 libbre); cavo immergibile: 227 kg (500 libbre)
Sensori	<p>HL4: sensore di temperatura, quattro porte per sensori esterni e sensore di profondità interno opzionale</p> <p>HL7: sensore di temperatura, sette porte per sensori esterni e sensore di profondità interno opzionale</p> <p>Fare riferimento alla documentazione del sensore per le relative specifiche.</p>

¹ Opzionale per HL4

² Il funzionamento ad una temperatura non compresa nella gamma può causare danni meccanici o prestazioni elettroniche scadenti.

Dato tecnico	Dettagli
Comunicazioni	Modulo di comunicazione: USB, SDI-12, RS232 Modbus, RS485 Modbus e RS232 TTY
Registrazione	4 GB di memoria interna ³ ; intervallo minimo di 1 secondo
Certificazione	Marchio CE. Altre certificazioni soggette a modifica. Rivolgersi al produttore.

Informazioni generali

In nessun caso, il produttore potrà essere ritenuto responsabile per danni diretti, indiretti o accidentali per qualsiasi difetto o omissione relativa al presente manuale. Il produttore si riserva il diritto di apportare eventuali modifiche al presente manuale e ai prodotti ivi descritti in qualsiasi momento senza alcuna notifica o obbligo preventivi. Le edizioni riviste sono presenti nel sito Web del produttore.

Informazioni sulla sicurezza

AVVISO

Il produttore non sarà da ritenersi responsabile in caso di danni causati dall'applicazione errata o dall'uso errato di questo prodotto inclusi, a puro titolo esemplificativo e non limitativo, i danni incidentali e consequenziali; inoltre declina qualsiasi responsabilità per tali danni entro i limiti previsti dalle leggi vigenti. La responsabilità relativa all'identificazione dei rischi critici dell'applicazione e all'installazione di meccanismi appropriati per proteggere le attività in caso di eventuale malfunzionamento dell'apparecchiatura compete unicamente all'utilizzatore.

Prima di disimballare, installare o utilizzare l'apparecchio, si prega di leggere l'intero manuale. Si raccomanda di leggere con attenzione e rispettare le istruzioni riguardanti note di pericolosità. La non osservanza di tali indicazioni potrebbe comportare lesioni gravi all'operatore o danni all'apparecchio.

Assicurarsi che i dispositivi di sicurezza insiti nell'apparecchio siano efficaci all'atto della messa in servizio e durante l'utilizzo dello stesso. Non utilizzare o installare questa apparecchiatura in modo diverso da quanto specificato nel presente manuale.

Indicazioni e significato dei segnali di pericolo

▲ PERICOLO

Indica una situazione di pericolo potenziale o imminente che, se non evitata, causa lesioni gravi anche mortali.

▲ AVVERTENZA

Indica una situazione di pericolo potenziale o imminente che, se non evitata, potrebbe comportare lesioni gravi, anche mortali.

▲ ATTENZIONE

Indica una situazione di pericolo potenziale che potrebbe comportare lesioni lievi o moderate.



AVVISO

Indica una situazione che, se non evitata, può danneggiare lo strumento. Informazioni che richiedono particolare attenzione da parte dell'utente.

Etichette precauzionali

Leggere sempre tutte le indicazioni e le targhette di segnalazione applicate all'apparecchio. La mancata osservanza delle stesse può infatti causare lesioni personali o danni allo strumento. Un simbolo sullo strumento è indicato nel manuale unitamente a una frase di avvertenza.

³ Memoria sufficiente per conservare 5 anni di misurazioni continue con intervalli di registrazione di 15 minuti

	<p>Tale simbolo, se apposto sullo strumento, fa riferimento al manuale delle istruzioni per il funzionamento e/o informazioni sulla sicurezza.</p>
	<p>Le apparecchiature elettriche contrassegnate con questo simbolo non possono essere smaltite attraverso sistemi domestici o pubblici europei. Restituire le vecchie apparecchiature al produttore il quale si occuperà gratuitamente del loro smaltimento.</p>

Certificazioni

Canadian Radio Interference-Causing Equipment Regulation, IECS-003, Class A:

Le registrazioni dei test di supporto sono disponibili presso il produttore.

Questo apparecchio digitale di Classe A soddisfa tutti i requisiti di cui agli Ordinamenti canadesi sulle apparecchiature causanti interferenze.

Questo apparecchio digitale di Classe A soddisfa tutti i requisiti di cui agli Ordinamenti canadesi sulle apparecchiature causanti interferenze.

FCC Parte 15, Limiti Classe "A"

Le registrazioni dei test di supporto sono disponibili presso il produttore. Il presente dispositivo è conforme alla Parte 15 della normativa FCC. Il funzionamento è subordinato alle seguenti condizioni:

1. L'apparecchio potrebbe non causare interferenze dannose.
2. L'apparecchio deve tollerare tutte le interferenze subite, comprese quelle causate da funzionamenti inopportuni.

Modifiche o cambiamenti eseguiti sull'unità senza previa approvazione da parte dell'ente responsabile della conformità potrebbero annullare il diritto di utilizzare l'apparecchio. Questo apparecchio è stato testato ed è conforme con i limiti per un dispositivo digitale di Classe A, secondo la Parte 15 delle normative FCC. I suddetti limiti sono stati fissati in modo da garantire una protezione adeguata nei confronti di interferenze nocive se si utilizza l'apparecchiatura in applicazioni commerciali. L'apparecchiatura produce, utilizza e può irradiare energia a radiofrequenza e, se non installata e utilizzata in accordo a quanto riportato nel manuale delle istruzioni, potrebbe causare interferenze nocive per le radiocomunicazioni. L'utilizzo di questa apparecchiatura in una zona residenziale può provocare interferenze dannose; in tal caso, l'utente dovrà eliminare l'interferenza a proprie spese. Per ridurre i problemi di interferenza, è possibile utilizzare le seguenti tecniche:

1. Scollegare l'apparecchio dalla sua fonte di potenza per verificare che sia la fonte dell'interferenza o meno.
2. Se l'apparecchio è collegato alla stessa uscita del dispositivo in cui si verifica l'interferenza, collegare l'apparecchio ad un'uscita differente.
3. Spostare l'apparecchio lontano dal dispositivo che riceve l'interferenza.
4. Posizionare nuovamente l'antenna di ricezione dell'apparecchio che riceve le interferenze.
5. Provare una combinazione dei suggerimenti sopra riportati.

Descrizione del prodotto

AVVISO

Non utilizzare la sonda serie HL in acqua contenente sostanze contaminanti che causano danni al sensore o all'alloggiamento (ad esempio acidi o basi estreme, elevate concentrazioni di solventi organici, olio/grasso, metalli tossici o acque radioattive).

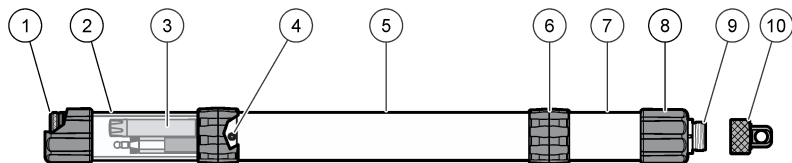
La sonda serie HL viene utilizzata per misurazioni isolate o monitoraggio senza sorveglianza di fonti d'acqua ambientali (acqua dolce e salata). Fare riferimento alla [Figura 1](#) e alla [Figura 2](#). I parametri misurati dalla sonda vengono identificati nella schermata delle impostazioni di sonda e sensore di Hydrolab Operating Software.

La sonda HL4 è dotata di un sensore di temperatura, quattro porte per sensori esterni e un sensore di profondità interno opzionale. Le quattro porte per sensori esterni possono ospitare un massimo di quattro sensori diversi.

La sonda HL7 è dotata di un sensore di temperatura, sette porte per sensori esterni e un sensore di profondità interno opzionale. Le sette porte per sensori esterni possono essere collegate a un massimo di sette diversi sensori oppure a sei sensori e a una spazzola di pulizia centrale opzionale.

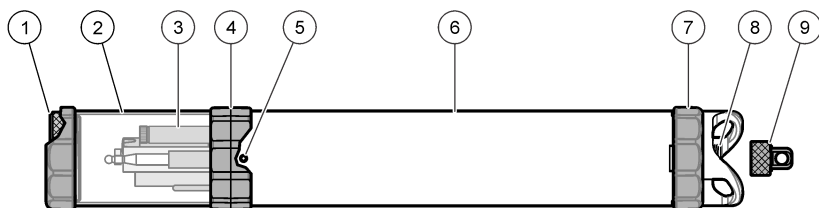
Fare riferimento alla schermata delle impostazioni del sensore di Hydrolab Operating Software per identificare i sensori installati. Tutti i sensori sono montati in fabbrica e non possono essere sostituiti dall'utente senza l'autorizzazione del produttore.

Figura 1 Panoramica dello strumento - Sonda HL4



1 Cappuccio di calibrazione per il bicchiere di calibrazione/trasporto	6 Protezione in gomma centrale (2) ⁶
2 Bicchiere di calibrazione/trasporto ⁴	7 Vano batteria ⁷
3 Sensori in soluzione tampone con pH 4 incolore	8 Protezione in gomma finale (2) ⁶
4 Vite di bloccaggio (2) ⁵	9 Connettore
5 Corpo sonda	10 Cappuccio per ormeggio

Figura 2 Panoramica dello strumento - Sonda HL7



1 Cappuccio di calibrazione per il bicchiere di calibrazione/trasporto	6 Corpo sonda
2 Bicchiere di calibrazione/trasporto	7 Protezione in gomma finale (2) ⁶
3 Sensori in soluzione tampone con pH 4 pulita	8 Connettore
4 Protezione in gomma centrale ⁶	9 Cappuccio per ormeggio
5 Vite di bloccaggio (3) ⁵	

Componenti del prodotto

Accertarsi che tutti i componenti siano stati ricevuti. Fare riferimento alla [Figura 3](#) o alla [Figura 4](#). In caso di parti assenti o danneggiate, contattare immediatamente il produttore o il rappresentante.

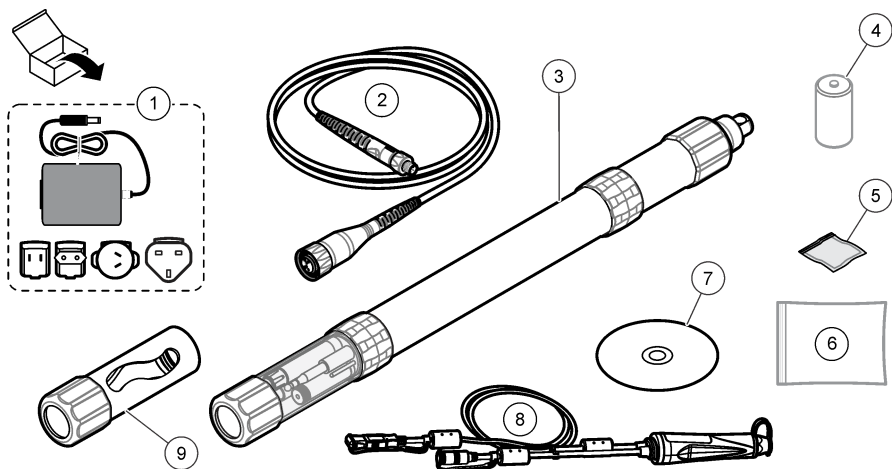
⁴ È mostrata la versione standard.

⁵ Solo per uso da parte del produttore

⁶ Rimuovere le protezioni centrali e finali secondo necessità per utilizzare lo strumento in spazi stretti quali un pozzo.

⁷ Solo unità con gruppo batteria interno

Figura 3 Componenti dello strumento - Sonda HL4



1 Adattatore di alimentazione c.a.	6 Kit di manutenzione sensore ¹⁰
2 Cavo di calibrazione ⁸	7 DVD Hydrolab Operating Software
3 Sonda HL4	8 Modulo di comunicazione USB
4 Batteria alcalina tipo D ⁹	9 Protezione del sensore con peso ¹¹
5 Confezione di grasso silconico, 0,25 oz	

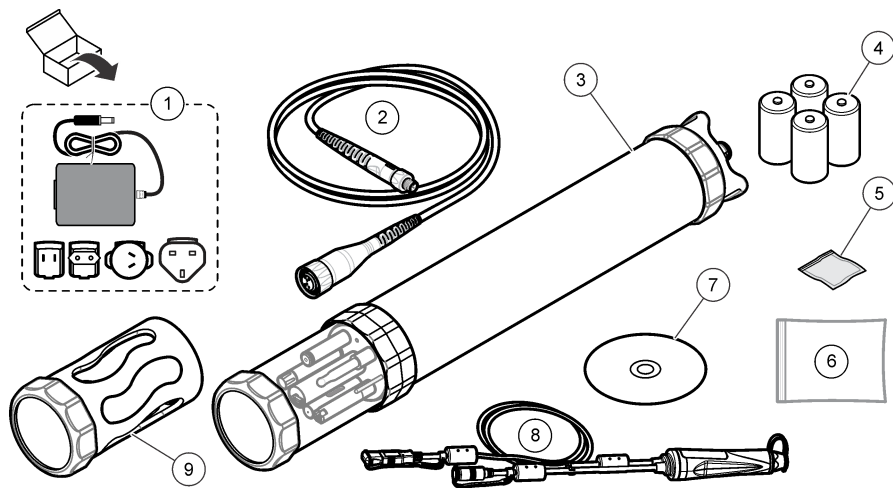
⁸ Non utilizzare in acqua per evitare danni allo strumento.

⁹ Fornita con unità con gruppo batteria interno

¹⁰ Forniti con alcuni sensori.

¹¹ È mostrata la versione standard.

Figura 4 Componenti dello strumento - Sonda HL7



1 Adattatore di alimentazione c.a.	6 Kit di manutenzione sensore ¹⁰
2 Cavo di calibrazione ⁸	7 DVD Hydrolab Operating Software
3 Sonda HL7	8 Modulo di comunicazione USB
4 Batterie alcaline tipo D (4)	9 Protezione del sensore con peso
5 Confezione di grasso silconico, 0,25 oz	

Avvio

Installazione della batteria - Sonda HL4

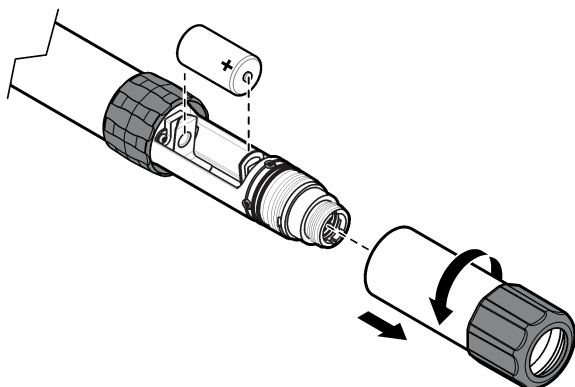
⚠ AVVERTENZA



Pericolo di esplosione. L'errata installazione della batteria può causare il rilascio di gas esplosivi. Accertarsi che la batteria sia dello stesso tipo chimico approvato e che sia inserita con l'orientamento corretto.

Per strumenti con un gruppo batteria interno, installare la batteria tipo D fornita. Fare riferimento a [Figura 5](#).

Figura 5 Installazione della batteria



Installazione delle batterie - Sonda HL7

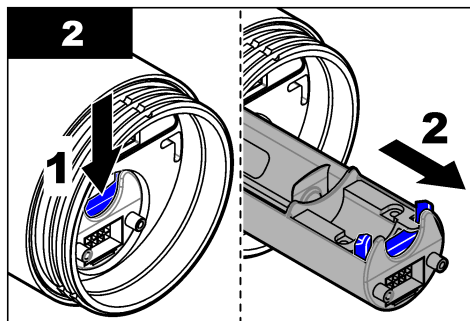
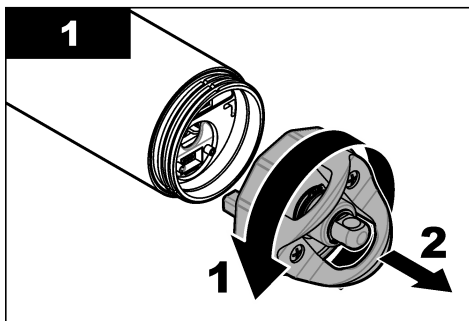
⚠ AVVERTENZA



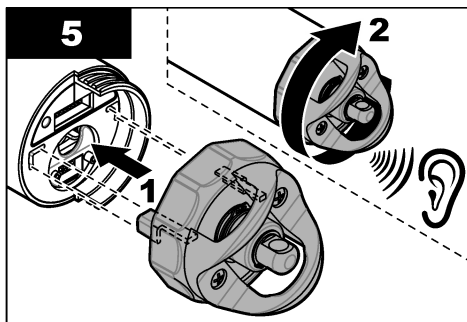
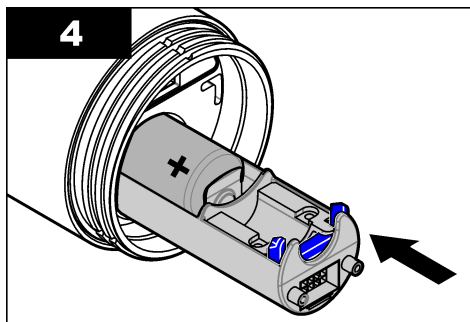
Pericolo di esplosione. L'errata installazione della batteria può causare il rilascio di gas esplosivi. Accertarsi che le batterie siano dello stesso tipo chimico approvato e che siano inserite nell'orientamento corretto. Non combinare batterie nuove con batterie vecchie. Non combinare batterie di produttori diversi. Non utilizzare batterie danneggiate.

Installare le quattro batterie tipo D in dotazione. Fare riferimento ai passaggi illustrati che seguono.

Dopo aver installato l'ultima batteria, la relativa spia lampeggia in verde. Se la spia lampeggia in rosso, le batterie non sono sufficientemente cariche.



	Green	Red
EN	Green	Red
DE	Grün	Rot
IT	Verde	Rosso
FR	Vert	Rouge
ES	Verde	Rojos
PT-BR	Verde	Vermelho
ZH	绿色	红色红色
JA	緑色	赤
PL	Zielony	czerwony



Installazione del software

Installare il software operativo Hydrolab sul PC.

Componenti necessari:

- PC con Windows XP SP3 o più recente
- DVD Hydrolab Operating Software

1. Inserire il DVD nel PC. Viene avviato il programma di installazione.
2. Completare le operazioni come richiesto per installare il software sul PC.

Collegamento al PC

Collegare lo strumento al PC.

Componenti necessari:

- PC con software operativo Hydrolab
- Cavo di calibrazione o cavo immergibile opzionale
- Modulo di comunicazione
- Adattatore di alimentazione¹²

1. Collegare lo strumento al PC. Fare riferimento a [Figura 6](#).

Rovesciare il cappuccio per ormeggio per rimuoverlo dalla sonda. La parte superiore del cappuccio per ormeggio non si gira quando il cappuccio è montato.

Nota: nella [Figura 6](#) viene mostrata la sonda HL4. Per la sonda HL7 i passaggi sono gli stessi.

Per collegare un adattatore di alimentazione o un modulo di comunicazione diversi da quelli mostrati, fare riferimento alla documentazione fornita con l'adattatore o il modulo.

Nota: l'alimentazione esterna è opzionale per gli strumenti dotati di un gruppo batteria interno. La batteria non viene utilizzata quando viene usata l'alimentazione esterna.

2. Durante l'installazione iniziale e ogni volta che viene utilizzata una porta USB diversa sul PC:
 - a. Windows avvisa del rilevamento di un nuovo dispositivo e viene aperta una finestra di procedura guidata. Selezionare **No, non ora** per ricercare il software, quindi fare clic su **Avanti**.
 - b. Selezionare **Installa il software automaticamente (scelta consigliata)**, quindi fare clic su **Avanti**. Non è necessario alcun DVD.
Windows installa il driver del software del modulo di comunicazione.

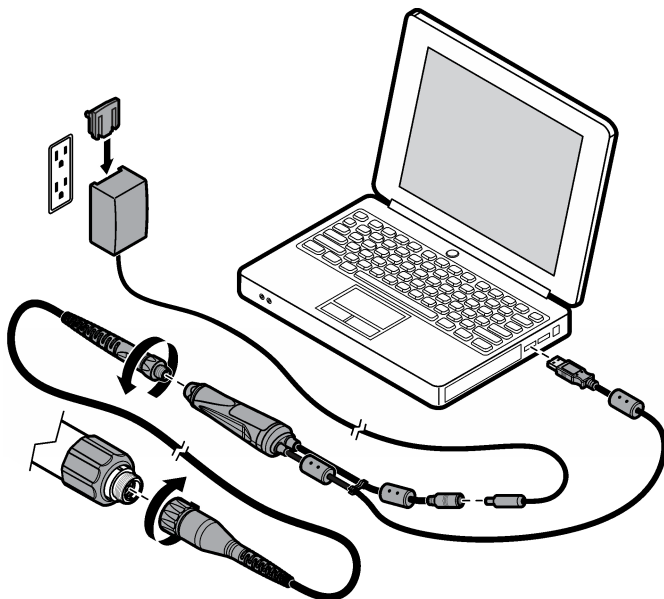
¹² Opzionale per strumenti con gruppo batteria interno

3. Avviare il software operativo Hydrolab. Lo strumento collegato viene visualizzato nel campo Connetti a dispositivo.

Nota: se al momento dell'installazione iniziale non viene eseguito il passo 2, lo strumento non viene visualizzato nel campo Connetti a dispositivo.

4. Selezionare lo strumento, quindi fare clic su **Connetti**.

Figura 6 Collegamento dello strumento al PC



Funzionamento

Configurazione

Fare riferimento al *manuale di Hydrolab Operating Software* per configurare le impostazioni di software, strumento e sensore. Per consultare il *manuale di Hydrolab Operating Software*, avviare Hydrolab Operating Software, fare clic su Help (Guida) e selezionare Hydrolab Operating Software Help (Guida di Hydrolab Operating Software).

Calibrazione

⚠ ATTENZIONE



Pericolo di esposizione ad agenti chimici. Rispettare le procedure di sicurezza del laboratorio e indossare tutte le apparecchiature protettive appropriate per le sostanze chimiche utilizzate. Fare riferimento alle attuali schede di sicurezza (MSDS/SDS) per i protocolli di sicurezza.

⚠ ATTENZIONE



Pericolo di esposizione ad agenti chimici. Smaltire i prodotti chimici e i rifiuti conformemente alle normative locali, regionali e nazionali.

Calibrare i sensori prima di utilizzarli per la prima volta, a intervalli regolari e dopo gli interventi di manutenzione e sostituzione. Periodicamente, controllare la calibrazione per assicurarsi che le misurazioni siano ancora comprese nella gamma di tolleranza.

Fare riferimento al *manuale di Hydrolab Operating Software* per le istruzioni su come eseguire le seguenti attività:

- Avviare la calibrazione di un sensore.
- Avviare il controllo di calibrazione di un sensore.
- Impostare il modo di calibrazione.
- Selezionare le unità di misura visualizzate durante la calibrazione e i controlli di calibrazione.
- Consultare la cronologia delle calibrazioni.

Per consultare il *manuale di Hydrolab Operating Software*, avviare Hydrolab Operating Software, fare clic su Help (Guida) e selezionare Hydrolab Operating Software Help (Guida di Hydrolab Operating Software).

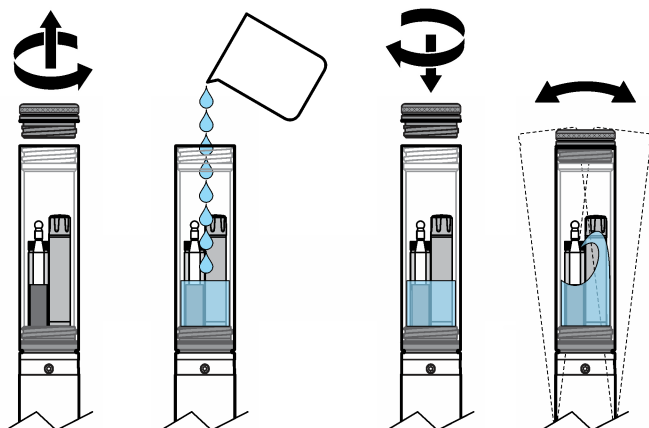
Quando viene avviata una calibrazione, o il controllo di una calibrazione, le istruzioni dettagliate per il sensore vengono visualizzate sul display.

Preparazione dei sensori per la calibrazione

Prima della calibrazione, lavare sempre il bicchiere di calibrazione/trasporto e pulire i sensori per evitare la contaminazione degli standard di calibrazione.

1. Lavare il bicchiere di calibrazione/trasporto con acqua pulita.
2. Pulire i sensori. Fare riferimento alla documentazione del sensore per le istruzioni.
3. Lavare i sensori almeno tre volte con acqua deionizzata. Fare riferimento a [Figura 7](#).
Nota: nella Figura 7 viene mostrata la sonda HL4. Per la sonda HL7 i passaggi sono gli stessi.
4. Lavare i sensori almeno due volte con uno standard di calibrazione. Fare riferimento a [Figura 7](#).
Per ottenere risultati ottimali, gettare l'acqua deionizzata e lo standard di calibrazione dopo ogni lavaggio.

Figura 7 Lavaggio dei sensori



Linee guida per la distribuzione

AVVISO

Installare sempre il cappuccio per ormeggio o collegare il cavo di distribuzione allo strumento prima della distribuzione per mantenere il connettore asciutto. Non utilizzare il cavo di calibrazione per la distribuzione poiché il connettore si bagnerebbe.

AVVISO

Montare sempre la protezione del sensore prima della distribuzione per evitare danni al sensore.

- Non applicare allo strumento un peso aggiuntivo superiore a 68 kg (150 libbre) quando viene utilizzato il cappuccio per ormeggio.
- Non applicare allo strumento un peso aggiuntivo superiore a 113 kg (250 libbre) quando viene utilizzato il cavo di distribuzione.
- Non appendere pesi alla protezione del sensore. Fare riferimento a [Dati tecnici](#) a pagina 53 per la resistenza alla trazione del cappuccio per ormeggio e del cavo di distribuzione.

Cura dei cavi

- Lubrificare la superficie di tenuta del cappuccio per ormeggio e il cavo di distribuzione opzionale con grasso siliconico applicato su un tampone di cotone a intervalli regolari e quando necessario.
- Conservare tutti i cavi non impermeabili (tutti i cavi ad eccezione del cavo di distribuzione) in ambiente pulito, asciutto e non corrosivo. Se un cavo si sporca o si bagna, pulirlo e/o lasciarlo asciugare all'aria prima di utilizzarlo.
- Non inserire i cavi non impermeabili in un rocchetto con diametro minore di 30,5 cm (12 poll.) per evitare danni ai cavi stessi.
- Non annodare i cavi o utilizzare fermi per contrassegnare la profondità.
- Non piegare o tirare il cavo di distribuzione sopra le pulegge con un raggio inferiore a 10 cm (4 poll.) o diametro di 20 cm (8 poll.) .
- Utilizzare un rocchetto alimentato o manuale con collettori elettrici ad anelli per abbassare e sollevare lo strumento se i cavi sono molto lunghi. È possibile utilizzare un rocchetto più leggero senza collettori ad anelli per cavi più corti.

Distribuzione a breve termine (sorvegliata)

AVVISO

Non collocare lo strumento in punti in cui il cavo di distribuzione potrebbe venire tagliato o danneggiato dalle eliche delle imbarcazioni o da altri oggetti in movimento.

Monitoraggio con PC

Componenti necessari:

- PC con software operativo Hydrolab
 - Protezione del sensore
 - Cavo immergibile
 - Modulo di comunicazione USB
 - Adattatore di alimentazione¹³
1. Collegare lo strumento al PC. Fare riferimento a [Collegamento al PC](#) a pagina 60. Assicurarsi di utilizzare il cavo immergibile e non il cavo di calibrazione.
 2. Rimuovere il bicchiere di calibrazione/trasporto. Fare riferimento a [Figura 8](#). Conservare il bicchiere di calibrazione/trasporto per uso futuro.
Nota: nella [Figura 8](#) viene mostrata la sonda HL4. Per la sonda HL7 i passaggi sono gli stessi.
 3. Montare la protezione del sensore. Fare riferimento alla [Figura 8](#).
Non far asciugare i sensori.

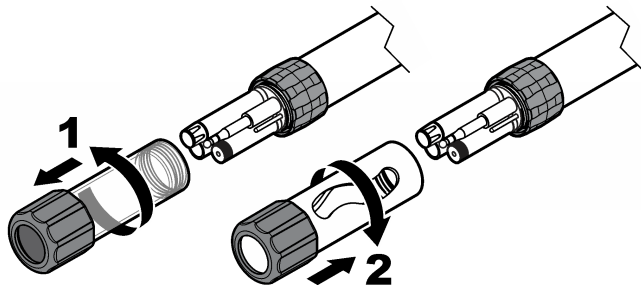
¹³ Opzionale per strumenti con gruppo batteria interno

- Immergere lo strumento nell'acqua da misurare. Per risultati ottimali, assicurarsi che lo strumento sia completamente immerso nell'acqua.
- Fare clic su **Monitoraggio** per visualizzare le misurazioni in tempo reale. Fare riferimento al *manuale di Hydrolab Operating Software* per acquisire le misurazioni e/o cambiare la vista.

Nota: Per consultare il manuale di Hydrolab Operating Software, avviare Hydrolab Operating Software, fare clic su Help (Guida) e selezionare Hydrolab Operating Software Help (Guida di Hydrolab Operating Software).

Una volta completate le misurazioni, preparare lo strumento per il trasporto. Fare riferimento a [Preparazione per la conservazione o il trasporto](#) a pagina 73.

Figura 8 Montaggio della protezione del sensore



Monitoraggio con una cella a flusso

▲ AVVERTENZA

Pericolo di lesioni personali. Assicurarsi che la pressione del campione sia inferiore a 103 kPa (15 psig).

Per il monitoraggio del processo o del pompaggio, installare la cella a flusso opzionale sulla sonda e spingere l'acqua campione attraverso la cella a flusso. Fare riferimento alla [Figura 9](#).

Verificare che la pressione dell'acqua nella cella a flusso non sia superiore a 103 kPa (15 psig); in caso contrario la cella a flusso può rompersi e causare lesioni.

Articoli necessari:

- PC con software operativo Hydrolab o controller portatile Surveyor HL
- Cavo immersibile
- Cella a flusso
- Tubo, 1/2"
- Filtro dell'acqua (opzionale)
- Sifone o pompa per acqua (opzionale)
- Modulo di comunicazione USB (se si usa un PC)
- Adattatore di alimentazione¹⁴

- Per utilizzare un PC, collegare lo strumento al PC. Fare riferimento alla [Collegamento al PC](#) a pagina 60. Assicurarsi di utilizzare il cavo immersibile e non il cavo di calibrazione.
- Per utilizzare un Surveyor HL, collegare lo strumento a un Surveyor HL. Fare riferimento al *manuale utente Surveyor HL*. Assicurarsi di utilizzare il cavo immersibile e non il cavo di calibrazione.
- Rimuovere il bicchiere di calibrazione/trasporto e conservarlo per un utilizzo futuro.
- Installare la cella a flusso opzionale. Fare riferimento alla [Figura 9](#). Non far asciugare i sensori.
- Collegare le due estremità del tubo da 1/2" alle porte di ingresso e di uscita del campione.
- Collegare l'estremità aperta del tubo di uscita campione a uno scarico aperto o posizionarla in un contenitore di raccolta.

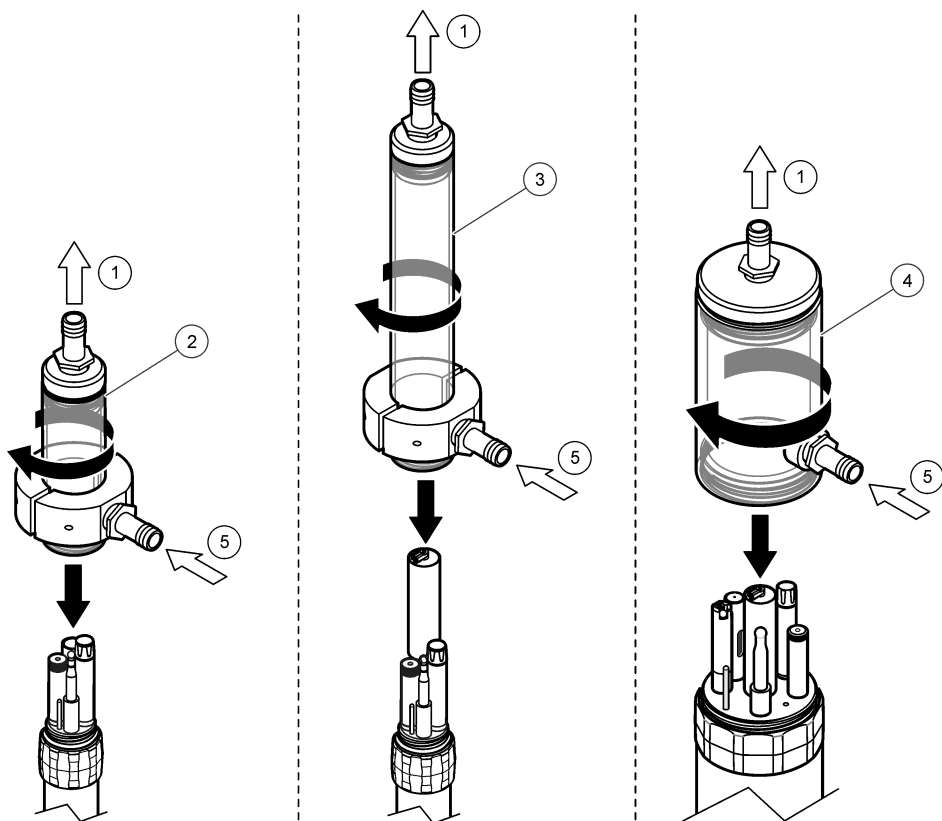
¹⁴ Opzionale per strumenti con gruppo batteria interno

7. Immergere l'estremità aperta del tubo di ingresso campione nell'acqua campione. Se necessario, filtrare l'acqua campione per rimuovere il materiale indesiderato.
8. Se possibile, invertire la sonda in modo da rimuovere le bolle dai sensori e scaricarle dalla porta di uscita campione.
9. Avviare il flusso dell'acqua campione verso la cella a flusso.
10. Fare clic su **Monitoraggio** per visualizzare le misurazioni in tempo reale. Fare riferimento al *manuale di Hydrolab Operating Software* o al *manuale utente Surveyor HL* (secondo necessità) per acquisire le misurazioni e/o cambiare la vista.

Nota: Per consultare il manuale di Hydrolab Operating Software, avviare Hydrolab Operating Software, fare clic su Help (Guida) e selezionare Hydrolab Operating Software Help (Guida di Hydrolab Operating Software).

Una volta completate le misurazioni, preparare lo strumento per il trasporto. Fare riferimento a [Preparazione per la conservazione o il trasporto](#) a pagina 73.

Figura 9 Installazione di una cella a flusso



1 Uscita campione	4 Cella a flusso per HL7
2 Cella a flusso per HL4	5 Ingresso campione
3 Cella a flusso per HL4 con sensore esteso	

Distribuzione a lungo termine (senza sorveglianza)

Monitoraggio con un cappuccio per ormeggio

È possibile distribuire con un cappuccio per ormeggio solo gli strumenti con un gruppo batteria interno.

Componenti necessari:

- PC con software operativo Hydrolab
- Protezione del sensore
- Cappuccio per ormeggio
- Corda o fune di acciaio
- Cavo di calibrazione
- Modulo di comunicazione USB
- Adattatore di alimentazione¹⁵

1. In sede o su campo, aggiungere un nuovo log allo strumento.

Le misurazioni vengono salvate nel nuovo log in base all'intervallo di misurazione e di date selezionato.

- a. Collegare lo strumento al PC. Fare riferimento a [Collegamento al PC](#) a pagina 60.
- b. Fare clic su **Registrazione**, quindi aggiungere un nuovo log. Fare riferimento a *Registrazione* nella guida in linea.
- c. Selezionare **File>Disconnetti dal dispositivo** per scollegare lo strumento dal PC.
Nota: in alternativa, fare clic su Dispositivi, selezionare lo strumento, quindi fare clic su Disconnetti.
- d. Scollegare il cavo di calibrazione dallo strumento.

2. Installare il cappuccio per ormeggio sullo strumento. Fare riferimento a [Figura 10](#). Rovesciare il cappuccio per ormeggio per installarlo.

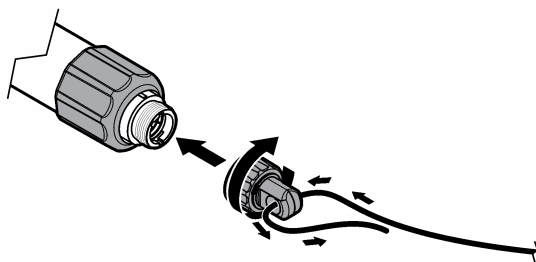
Nota: nella Figura 10 viene mostrata la sonda HL4. Per la sonda HL7 i passaggi sono gli stessi.

3. Sul campo, collegare un filo o una corda al cappuccio per ormeggio e/o alla traversa (solo sonda HL7). Fare riferimento a [Figura 10](#).
4. Rimuovere il bicchiere di calibrazione/trasporto. Fare riferimento a [Figura 8](#) a pagina 64. Conservare il bicchiere di calibrazione/trasporto per uso futuro.
5. Montare la protezione del sensore. Fare riferimento alla [Figura 8](#) a pagina 64.
Non far asciugare i sensori.
6. Immergere lo strumento nell'acqua da misurare. Per risultati ottimali, assicurarsi che lo strumento sia completamente immerso nell'acqua.
7. Fissare lo strumento ad una boa, ad un'ancora o ad una struttura. Fare riferimento a [Fissare ad una boa, un'ancora o una struttura](#) a pagina 68.

Una volta completato il monitoraggio, preparare lo strumento per il trasporto. Fare riferimento a [Preparazione per la conservazione o il trasporto](#) a pagina 73.

¹⁵ Opzionale per strumenti con gruppo batteria interno

Figura 10 Montaggio del cappuccio per ormeggio



Monitoraggio con sistema di acquisizione dati o centralina

Per raccogliere in modalità remota e in tempo reale le misurazioni, collegare lo strumento ad un sistema di acquisizione dati (ad esempio un registratore di dati o un modem) o ad una centralina con un modulo di comunicazione adatto.

Lo strumento rimane in modalità di potenza ridotta (attesa) fino a quando non riceve il comando di attivazione dal dispositivo esterno, quindi completa la misurazione e ritrasmette i parametri misurati al dispositivo esterno. Fare riferimento alla guida in linea per i comandi SDI-12 e TTY supportati dallo strumento.

Configurazione del modulo di comunicazione

Componenti necessari:

- PC con software operativo Hydrolab
- Modulo di comunicazione

1. In sede o su campo, collegare il modulo di comunicazione applicabile ad una porta USB del PC.
2. Avviare il software operativo Hydrolab. Il modulo di comunicazione collegato viene visualizzato nel campo **Connetti** a dispositivo.
3. Selezionare il modulo di comunicazione, quindi fare clic su **Connetti**. Vengono visualizzate le finestre di configurazione del modulo di comunicazione.
4. Configurare il modulo di comunicazione. Fare riferimento a *Registrazione* nella guida in linea.
5. Una volta completata la configurazione, scollegare il cavo di comunicazione dal PC.

- a. Selezionare **File>Disconnetti dal dispositivo** per scollegare il cavo di comunicazione dal PC.

*Nota: in alternativa, fare clic su **Dispositivi**, selezionare il cavo di comunicazione, quindi fare clic su **Disconnetti**.*

- b. Scollegare il cavo di comunicazione dal PC.

Collegamento del modulo di comunicazione

Componenti necessari:

- Sistema di acquisizione dei dati o centralina
- Modulo di comunicazione (configurato)
- Alimentazione esterna, 6-24 V c.c. (12 V c.c. nominale) ¹⁶

1. Su campo, collegare il modulo di comunicazione al sistema di acquisizione dati o alla centralina. Per informazioni sul cablaggio, fare riferimento alla documentazione fornita con il modulo di

¹⁶ Opzionale per strumenti con un gruppo batteria interno. Non utilizzata quando il sistema di acquisizione dati o la centralina sono in grado di alimentare il modulo di comunicazione.

comunicazione. Fare riferimento a [Trasmissione dei dati e cablaggio di alimentazione](#) a pagina 68 per i requisiti del cablaggio per la trasmissione dei dati.

2. Se il sistema di acquisizione dei dati o la centralina non sono in grado di alimentare il modulo di comunicazione, collegare un'alimentazione esterna al modulo. Fare riferimento a [Trasmissione dei dati e cablaggio di alimentazione](#) a pagina 68 per i requisiti del cablaggio per l'alimentazione esterna.

Trasmissione dei dati e cablaggio di alimentazione

Per collegare le linee di trasmissione dei dati al modulo di comunicazione, assicurarsi che il cavo di trasmissione sia sufficiente per la corrente di funzionamento e che trasferisca i dati senza distorsioni. Per un cavo lungo fino a 305 m (1000 piedi), sono sufficienti tre fili da 26 AWG.

Per collegare un'alimentazione esterna al modulo di comunicazione, assicurarsi di utilizzare due fili da 18 AWG. È possibile utilizzare fili più piccoli se l'alimentazione si trova nelle vicinanze dello strumento.

Distribuzione dello strumento

Componenti necessari:

- Cavo di distribuzione
- Protezione del sensore

1. Collegare il cavo di distribuzione al modulo di comunicazione. Assicurarsi di utilizzare il cavo di distribuzione e non il cavo di calibrazione.
2. Collegare il cavo di distribuzione allo strumento.
3. Rimuovere la coppa di conservazione/calibrazione e montare la protezione del sensore. Conservare la coppa di conservazione/calibrazione per uso futuro. Fare riferimento a [Figura 8](#) a pagina 64. Non far asciugare i sensori.
4. Immergere lo strumento nell'acqua da misurare. Per risultati ottimali, assicurarsi che lo strumento sia completamente immerso nell'acqua. Non immergere il modulo di comunicazione nell'acqua.
5. Collegare lo strumento e il cablaggio alla struttura. Fare riferimento a [Fissare ad una boa, un'ancora o una struttura](#) a pagina 68.

Una volta completata la distribuzione, preparare lo strumento per il trasporto. Fare riferimento a [Preparazione per la conservazione o il trasporto](#) a pagina 73.

Fissare ad una boa, un'ancora o una struttura

AVVISO

Non utilizzare fascette stringitubo per fissare lo strumento poiché potrebbe subire danni.

Per il monitoraggio senza sorveglianza, fissare lo strumento ad una boa, un'ancora o una struttura.

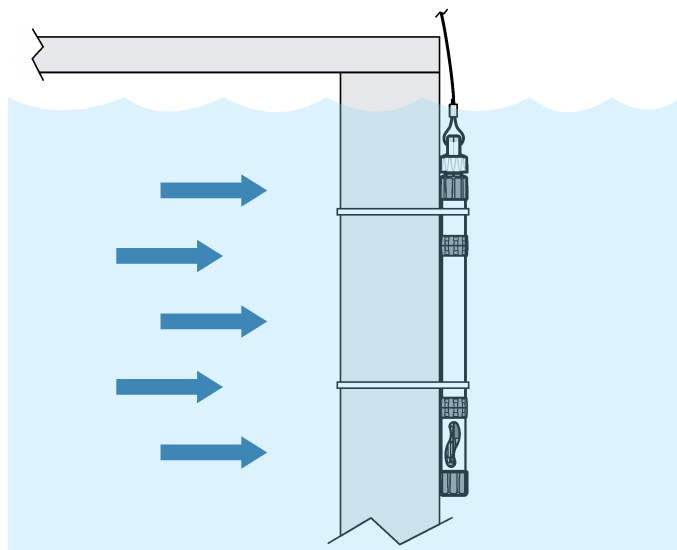
Effettuare l'installazione in un luogo in cui:

- Lo strumento non venga danneggiato da materiale galleggiante, sabbia, ghiaia, limo, navigazione o atti di vandalismo
- Lo strumento non venga in contatto con il fango creatosi in seguito alla presenza di acqua
- Non si formi del ghiaccio intorno allo strumento o ai sensori

Per fissare lo strumento a:

- Boa—utilizzare una boa di segnalazione che non ispiri eventuali atti di vandalismo.
- Struttura—fissare lo strumento sul lato a valle dei pali per evitare danni dovuti al materiale galleggiante. Fare riferimento a [Figura 11](#). Installare con cautela cinghie quali cinghie in tessuto e fascette in plastica grandi su entrambe le estremità dell'alloggiamento dello strumento. Fissare allo stesso modo il cavo di distribuzione (se utilizzato) per evitare danni al cavo dovuti al materiale galleggiante, alla navigazione e ad atti di vandalismo. Per evitare atti di vandalismo, installare lo strumento e il cavo in modo che non siano facilmente visibili.

Figura 11 Fissaggio dello strumento a una struttura



Manutenzione

⚠ ATTENZIONE



Pericoli multipli. Gli interventi descritti in questa sezione del documento devono essere eseguiti solo da personale qualificato.

⚠ ATTENZIONE



Pericolo di lesioni personali. A causa dell'aumento di pressione all'interno dello strumento, potrebbe essere necessario applicare forza per la rimozione delle parti amovibili. Allentare e rimuovere le parti con cautela. Non rivolgere le parti verso le persone e utilizzare i dispositivi di protezione individuale durante le operazioni di manutenzione.

AVVISO

Non disassemblare lo strumento per la manutenzione senza autorizzazione del produttore. Se è necessario pulire o riparare i componenti interni, contattare il produttore.

AVVISO

Conservare lo strumento in un luogo in cui i sensori non rischiano di essere congelati o danneggiati.

Pulizia dell'alloggiamento e della protezione del sensore

AVVISO

Per evitare danni ad alcuni sensori e allo strumento, non utilizzare solventi aggressivi per la plastica per pulire l'alloggiamento e la protezione del sensore.

A intervalli regolari, esaminare l'alloggiamento dello strumento e la protezione del sensore. Pulire l'alloggiamento e la protezione del sensore secondo necessità per rimuovere depositi e materiale indesiderato.

1. Rimuovere la protezione del sensore dallo strumento.
2. Versare un minimo di 2,5 cm (1 poll.) di una soluzione tampone con pH 4 o acqua di rubinetto pulita nel bicchiere di calibrazione/trasporto.

3. Montare il bicchiere di calibrazione/trasporto sullo strumento.
 4. Pulire l'alloggiamento e la protezione del sensore con:
 - Detergente delicato
 - Soluzione sgrassante atossica, ad esempio Simple Green® (marchio registrato di Sunshine Makers, Inc.)
 - Acqua calda
 - Spazzolino morbido, pulito
 - Panno morbido e/o tamponi di cotone
- Se necessario, immergere la protezione del sensore e/o l'alloggiamento in acqua per almeno 30 minuti al fine di ammorbidire le sostanze contaminanti e agevolare quindi la rimozione.
5. Lavare l'alloggiamento e la protezione del sensore con acqua pulita.

Pulizia dei sensori

A intervalli regolari, esaminare i sensori per verificare l'eventuale presenza di materiale indesiderato, depositi (inorganici e biologici) e danni. Pulire i sensori qualora fosse presente del materiale indesiderato. Inoltre, pulire i sensori se si rileva un peggioramento delle prestazioni. Fare riferimento alla documentazione del sensore per le istruzioni relative alla pulizia.

Sostituire eventuali parti danneggiate. Sostituire eventuali parti in cui sono presenti incrostazioni (sedimentarie e/o biologiche) che compromettono le prestazioni e non possono essere rimosse. Fare riferimento alla documentazione del sensore per le istruzioni di manutenzione.

Sostituzione della batteria

▲ AVVERTENZA



Pericolo di esplosione. Una batteria scaduta potrebbe generare gas di idrogeno all'interno dello strumento. Sostituire la batteria prima della scadenza. Non stoccare lo strumento per lunghi periodi di tempo con la batteria installata. Smaltire le batterie conformemente alle normative locali, regionali e nazionali.

Per le sonde HL4 con un gruppo batteria interno, sostituire la batteria alcalina tipo D quando risulta scarica. Fare riferimento alla [Figura 5](#) a pagina 59.

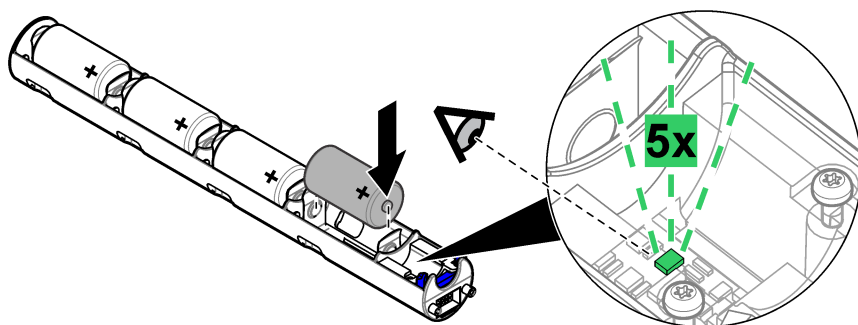
Per le sonde HL7, sostituire le quattro batterie alcaline tipo D quando risultano scariche. Fare riferimento a [Installazione delle batterie - Sonda HL7](#) a pagina 59. Verificare che la spia della batteria inizi a lampeggiare in verde non appena viene installata l'ultima batteria. Fare riferimento a [Figura 12](#). Se la spia lampeggia in rosso, le batterie non sono sufficientemente cariche.

Nota: il livello di carica della batteria viene visualizzato nella parte superiore della finestra di Hydrolab Operating Software.

Verificare che la sonda sia in posizione orizzontale quando viene aperto il vano batteria, in modo da tenere l'acqua lontana da tale vano. In caso di ingresso di acqua nel vano batteria, rimuovere la batteria, far fuoriuscire l'acqua e asciugare completamente il vano con un asciugamano. Lasciare asciugare all'aria il vano batteria completamente prima dell'uso per evitare corrosioni.

Nota: la batteria dell'orologio interno non può essere sostituita dall'utente senza autorizzazione del produttore.

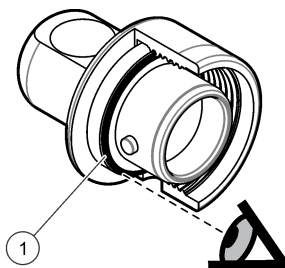
Figura 12 Spia della batteria



Esaminare gli O-ring e la guarnizione di tenuta

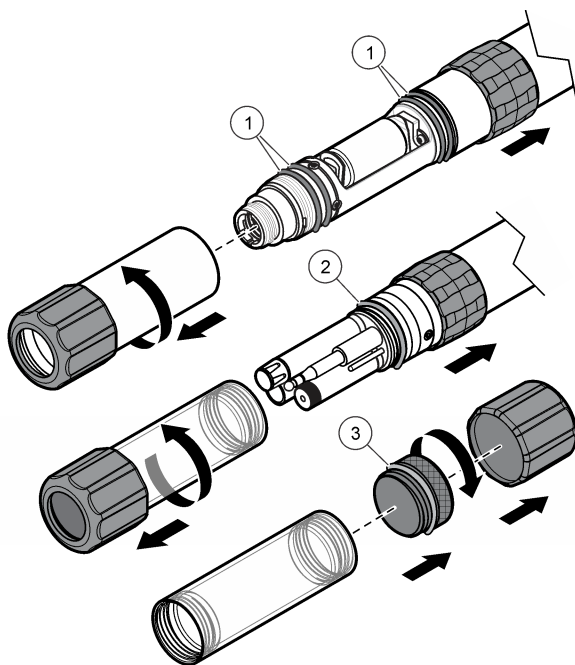
1. A intervalli regolari, esaminare gli O-ring e la guarnizione di tenuta nel cappuccio per ormeggio per verificare che non siano presenti materiali indesiderati, segni di usura o danni. Fare riferimento alle figure da [Figura 13](#) a [Figura 15](#).
2. Rimuovere eventuale materiale indesiderato dagli O-ring e dal cappuccio per ormeggio.
3. Sostituire gli O-ring che presentano danni visibili o usura (ad esempio spaccature o parti mancanti). Sostituire gli O-ring con quelli forniti dal produttore.
4. Applicare grasso siliconico sugli O-ring per evitarne l'inzeppamento e la fuoriuscita dalla relativa posizione.
5. Sostituire il cappuccio per ormeggio quando sono visibili danni o usura sulla guarnizione di tenuta.

Figura 13 Posizione della guarnizione di tenuta



1 Guarnizione di tenuta del cappuccio per ormeggio

Figura 14 Posizioni O-ring - Sonda HL4

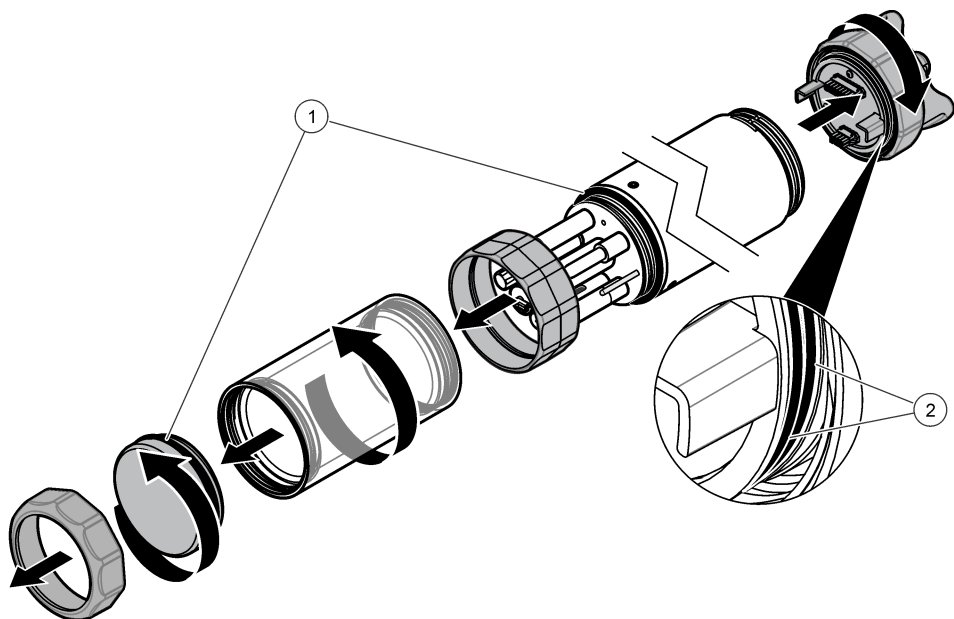


1 O-ring del vano batteria (4)

3 O-ring del cappuccio di calibrazione

2 O-ring del bicchiere di calibrazione/trasporto

Figura 15 Posizioni O-ring - Sonda HL7



1 O-ring del bicchiere di calibrazione/trasporto (2)

2 O-ring del vano batteria (2)

Preparazione per la conservazione o il trasporto

AVVISO

Conservare lo strumento in un luogo in cui l'acqua del bicchiere di calibrazione/trasporto non rischi il congelamento e il sensore non venga danneggiato.

AVVISO

Non conservare i sensori in acqua deionizzata o soluzioni detergenti per evitare di danneggiarli.

AVVISO

Non conservare il sensore di torbidità o il fluorimetro in una soluzione tampone di pH colorata per evitare danni al sensore.

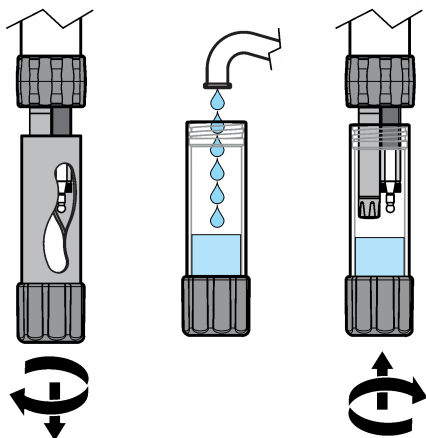
AVVISO

Non conservare i sensori in acqua campione rilevata su campo per lunghi periodi poiché può verificarsi una proliferazione biologica e la contaminazione dei sensori stessi.

1. Lavare lo strumento e i sensori con acqua di rubinetto pulita.
2. Rimuovere la protezione del sensore e installare il bicchiere di calibrazione/trasporto. Versare un minimo di 2,5 cm (1 poll.) di una soluzione tampone con pH 4 non colorata o acqua di rubinetto pulita nel bicchiere di calibrazione/trasporto. Fare riferimento a [Figura 16](#).
Nota: nella [Figura 16](#) viene mostrata la sonda HL4. Per la sonda HL7 i passaggi sono gli stessi.
Nota: non è necessario immergere i sensori nella soluzione tampone di pH o nell'acqua.
Nota: non conservare un sensore del totale dei gas disciolti bagnato; in caso contrario la membrana del sensore verrà danneggiata.
3. Assicurarsi che la protezione finale sia montata sul bicchiere di calibrazione/trasporto.

4. Montare il cappuccio per ormeggio sul connettore per conservare il connettore pulito e asciutto.
5. Inserire tutti i cavi impermeabili (ad eccezione del cavo immergibile) in un contenitore asciutto. Non inserire i cavi in un rocchetto con diametro inferiore a 30,5 cm (12 poll.) per evitare danni ai cavi stessi.
6. Prima della conservazione, pulire i sensori. Fare riferimento alla documentazione del sensore.
7. Per conservazioni a lungo termine, rimuovere la batteria tipo D interna. Fare riferimento alla [Figura 5](#) a pagina 59 o alla [Installazione delle batterie - Sonda HL7](#) a pagina 59. Non è necessaria alcuna ulteriore preparazione del sensore per la conservazione a lungo termine.

Figura 16 Preparazione per la conservazione o il trasporto



Preparazione per l'uso dopo una conservazione a lungo termine

Dopo che lo strumento è rimasto inutilizzato per più di 1 mese:

1. Sostituire l'elettrolita nei sensori, se presente.
2. Calibrare i sensori. Fare riferimento a [Calibrazione](#) a pagina 61.

Reidratazione dei sensori

Se i sensori si asciugano, immergerli in acqua prima dell'uso.

Nota: non conservare un sensore del totale dei gas disciolti bagnato; in caso contrario la membrana del sensore verrà danneggiata.

Individuazione ed eliminazione dei guasti

Fare riferimento al *manuale di Hydrolab Operating Software* per le informazioni relative alla risoluzione dei problemi. Per consultare il *manuale di Hydrolab Operating Software*, avviare Hydrolab Operating Software, fare clic su Help (Guida) e selezionare Hydrolab Operating Software Help (Guida di Hydrolab Operating Software).

Parti di ricambio e accessori

▲ AVVERTENZA



Pericolo di lesioni personali. L'uso di parti non approvate può causare lesioni personali, danni alla strumentazione o malfunzionamenti dell'apparecchiatura. La parti di ricambio riportate in questa sezione sono approvate dal produttore.

Nota: Numeri di Prodotti e Articoli possono variare per alcune regioni di vendita. Contattare il distributore appropriato o fare riferimento al sito Web dell'azienda per dati di contatto.

Parti di ricambio - Sonda HL4

Descrizione	Articolo n.
Manicotto involucro batteria, sonda HL4	9047300
Coperchio morsetti batteria, sonda HL4	9032000
Respingente, di gomma, finale, sonda HL4	9383100
Respingente, di gomma, centrale, sonda HL4	9383200
Cappuccio, coppa di conservazione/calibrazione, sonda HL4	9040900
O-ring, vano batteria, sonda HL4 ¹⁷	9048400
O-ring, coppa di conservazione/calibrazione, cappuccio, sonda HL4	002811
Kit di manutenzione, sensore di torbidità con tergisensore, sonda HL4	9480800
Protezione del sensore, standard, sonda HL4	9383700
Protezione del sensore, standard con peso, sonda HL4	9044100
Protezione del sensore, esteso, sonda HL4	9383800
Protezione del sensore, esteso con peso, sonda HL4	8734500
Peso per gabbia di protezione sensori, sonda HL4	9383900
Scatola di spedizione, sonda HL4	9309100
Coppa di conservazione/calibrazione, standard, sonda HL4	003306
Coppa di conservazione/calibrazione, estesa, sonda HL4	003395HY

Parti di ricambio - Sonda HL7

Descrizione	Articolo n.
Gruppo batteria	GRUPPO BATTERIA HL7
Cappuccio, bicchiere di calibrazione/trasporto, sonda HL7	003609HY
O-ring, bicchiere di calibrazione/trasporto e cappuccio, sonda HL7	000568
Gabbia di protezione sensori con peso, sonda HL7	8457100
Scatola di spedizione, sonda HL7	8490400
Bicchieri di calibrazione/trasporto, sonda HL7	003608
Kit di manutenzione, sensore di torbidità con spazzola di pulizia centrale e tergisensore, sonda HL7	9480900

Parti di ricambio - Sonde HL4 e HL7

Descrizione	Articolo n.
Cavo di calibrazione	9310600
Cappuccio antipolvere, connettore USB A	9046200

¹⁷ La sonda HL4 richiede un totale di quattro pezzi.

Parti di ricambio - Sonde HL4 e HL7 (continua)

Descrizione	Articolo n.
Cappuccio antipolvere, connettore a 5 pin	9046100
Cappuccio antipolvere, connettore di alimentazione c.c.	9046000
Modulo di comunicazione, USB	6748600
Hydrolab Operating Software, DVD	9512900
Kit di manutenzione, elettrodo di riferimento standard, composto da: O-ring (000467HY), sale in compresse (005376HY), giunto in PTFE (000548HY) e soluzione elettrolita (005308HY)	014660HY
Kit di manutenzione, kit di sostituzione cappuccio, sensore LDO	007460
Kit di manutenzione, sensore pH con elettrodo di riferimento integrato, composto da: O-ring (003396HY), siringa, cacciavite da ¼ poll., sale in compresse (005376HY), giunto in PTFE (002770HY), soluzione elettrolita (005308HY)	013410HY
Cappuccio per ormeggio	9310500
Adattatore di alimentazione, c.a.	002782
Confezione di grasso siliconico, 0,25 oz	000298HY

Accessori

Descrizione	Articolo n.
Modulo di comunicazione, USB	6748600
Modulo di comunicazione, SDI-12	9039600
Modulo di comunicazione, RS485 Modbus	9039700
Modulo di comunicazione, RS232 Modbus	9039800
Modulo di comunicazione, RS232 TTY	9312900
Cappuccio antipolvere, moduli di comunicazione, con:	8808200
Cappuccio antipolvere, connettore di alimentazione c.c.	9046000
Cappuccio antipolvere, connettore a 5 pin	9046100
Cappuccio antipolvere, connettore USB A	9046200
Cappuccio antipolvere, connettore DB9	9045900
Cavo immergibile, 5 m	CZ005
Cavo immergibile, 10 m	CZ010
Cavo immergibile, 15 m	CZ015
Cavo immergibile, 25 m	CZ025
Cavo immergibile, 30 m	CZ030
Cavo immergibile, 50 m	CZ050
Cavo immergibile, 75 m	CZ075
Cavo immergibile, 100 m	CZ100
Cavo immergibile, 150 m	CZ150
Cavo immergibile, 200 m	CZ200

Accessori (continua)

Descrizione	Articolo n.
Cappuccio cavo immergibile, estremità a contatto con l'umidità	9714500
Cella a flusso, HL4	014880
Cella a flusso, HL4 con sensore esteso	013520HY
Cella a flusso, HL7	014120

Table des matières

Caractéristiques à la page 78

Généralités à la page 79

Mise en marche à la page 84

Fonctionnement à la page 87

Maintenance à la page 95

Dépannage à la page 100

Pièces de rechange et accessoires à la page 100

Caractéristiques

Les caractéristiques techniques peuvent être modifiées sans préavis.

Caractéristique	Détails
Dimensions	HL4 : Ø 4,44 cm (1,75 po) sans butoirs en caoutchouc ; Ø 5,33 cm (2,1 po) avec butoirs en caoutchouc. Longueur - 51,43 cm (20,25 po) sans bloc-pile interne et protection de capteur standard ; 66,36 cm (26,125 po) sans bloc-pile interne et protection de capteur étendue ; 62,23 cm (24,5 po) avec bloc-pile interne et protection de capteur standard ; 77,787 cm (30,625 po) avec bloc-pile interne et protection de capteur étendue HL7 : Ø 8,9 cm (3,5 po) sans butoirs en caoutchouc ; Ø 9,6 cm (3,78 po) avec butoirs en caoutchouc. Longueur - 66,4 cm (26,1 po)
Poids	HL4 : 2,2 kg (5 lb) avec bloc-pile interne, une pile type D et un godet de stockage/calibration sans liquide HL7 : 4,5 kg (10 lb) avec 4 piles type D, un godet de stockage/calibration sans liquide
Alimentation requise	HL4 : 6-24 V CC (12 V CC) appliqués au module de communication, 12 V CC : 250 mW en moyenne, 18 W crête HL7 : 6-24 V CC (12 V CC) appliqués au module de communication, 12 V CC : 2,0 W en moyenne, 24 W crête
Bloc-pile interne ¹	HL4 : Une pile alcaline interne type D, non rechargeable. Environ 75 jours d'utilisation avec un intervalle d'enregistrement de 15 minutes et le temps de préchauffage par défaut avec les capteurs de profondeur, de température, de conductivité, de pH et LDO installés et à température ambiante. HL7 : Quatre piles alcalines internes type D, non rechargeables. Environ 90 jours d'utilisation avec un intervalle d'enregistrement de 15 minutes et le temps de préchauffage par défaut avec les capteurs de température, de conductivité, de pH, de LDO, de chlorophylle a, de cyanobactéries (eau douce) et de turbidité installés, une brosse de nettoyage centrale réglée pour faire un tour et les capteurs à température ambiante.
Température de fonctionnement ²	-5 à 50 °C (23 à 122 °F), sans gel
Température de stockage	1 à 50 °C (34 à 122 °F)
Profondeur	200 m (656 pieds) maximum Remarque : certains capteurs ne peuvent pas être utilisés à 200 m (656 pieds). Reportez-vous à la documentation sur les capteurs pour en savoir plus sur les spécifications liées à la profondeur d'utilisation des capteurs.
Résistance à la traction (maximale)	Bouchon d'amarrage : 68 kg (150 lb) ; câble de déploiement : 227 kg (500 lb)

¹ Optionnel pour la HL4

² Toute utilisation de l'instrument en dehors de cette plage de températures peut entraîner des dommages mécaniques ou des défaillances quant aux performances électroniques.

Caractéristique	Détails
Capteurs	HL4 : Capteur de température, quatre ports pour capteurs externes et un capteur de profondeur interne optionnel HL7 : Capteur de température, sept ports pour capteurs externes et un capteur de profondeur interne optionnel Reportez-vous à la documentation sur les capteurs pour en savoir plus sur ces éléments.
Communications	Module de communication : USB, SDI-12, RS232 Modbus, RS485 Modbus et RS232 TTY
Journalisation	Mémoire interne de 4 Go ³ ; intervalle minimum d'une seconde
Certification	Marquage CE. D'autres certifications peuvent être modifiées. Contactez le fabricant.

Généralités

En aucun cas le constructeur ne saurait être responsable des dommages directs, indirects, spéciaux, accessoires ou consécutifs résultant d'un défaut ou d'une omission dans ce manuel. Le constructeur se réserve le droit d'apporter des modifications à ce manuel et aux produits décrits à tout moment, sans avertissement ni obligation. Les éditions révisées se trouvent sur le site Internet du fabricant.

Consignes de sécurité

AVIS

Le fabricant décline toute responsabilité quant aux dégâts liés à une application ou un usage inappropriés de ce produit, y compris, sans toutefois s'y limiter, des dommages directs ou indirects, ainsi que des dommages consécutifs, et rejette toute responsabilité quant à ces dommages dans la mesure où la loi applicable le permet. L'utilisateur est seul responsable de la vérification des risques d'application critiques et de la mise en place de mécanismes de protection des processus en cas de défaillance de l'équipement.

Veuillez lire l'ensemble du manuel avant le déballage, la configuration ou la mise en fonctionnement de cet appareil. Respectez toutes les déclarations de prudence et d'attention. Le non-respect de cette procédure peut conduire à des blessures graves de l'opérateur ou à des dégâts sur le matériel. Assurez-vous que la protection fournie avec cet appareil n'est pas défaillante. N'utilisez ni n'installez cet appareil d'une façon différente de celle décrite dans ce manuel.

Interprétation des indications de risques

▲ DANGER

Indique une situation de danger potentiel ou imminent qui, si elle n'est pas évitée, entraîne des blessures graves, voire mortelles.

▲ AVERTISSEMENT

Indique une situation de danger potentiel ou imminent qui, si elle n'est pas évitée, peut entraîner des blessures graves, voire mortelles.

▲ ATTENTION

Indique une situation de danger potentiel qui peut entraîner des blessures mineures ou légères.



AVIS

Indique une situation qui, si elle n'est pas évitée, peut occasionner l'endommagement du matériel. Informations nécessitant une attention particulière.

³ Mémoire suffisante pour conserver 5 ans de mesures continues avec intervalles d'enregistrement de 15 minutes.

Étiquettes de mise en garde

Lisez toutes les informations et toutes les étiquettes apposées sur l'appareil. Des personnes peuvent se blesser et le matériel peut être endommagé si ces instructions ne sont pas respectées. Un symbole sur l'appareil est référencé dans le manuel et accompagné d'une déclaration de mise en garde.

	Si l'appareil comporte ce symbole, reportez-vous au manuel d'utilisation pour consulter les informations de fonctionnement et de sécurité.
	Le matériel électrique portant ce symbole ne doit pas être mis au rebut dans les réseaux domestiques ou publics européens. Retournez le matériel usé ou en fin de vie au fabricant pour une mise au rebut sans frais pour l'utilisateur.

Certification

Règlement canadien sur les équipements causant des interférences radio, IECS-003, Classe A:

Les données d'essai correspondantes sont conservées chez le constructeur.

Cet appareil numérique de classe A respecte toutes les exigences du Règlement sur le matériel brouilleur du Canada.

Cet appareil numérique de classe A répond à toutes les exigences de la réglementation canadienne sur les équipements provoquant des interférences.

FCC part 15, limites de classe A :

Les données d'essai correspondantes sont conservées chez le constructeur. L'appareil est conforme à la partie 15 de la réglementation FCC. Le fonctionnement est soumis aux conditions suivantes :

1. Cet équipement ne peut pas causer d'interférence nuisible.
2. Cet équipement doit accepter toutes les interférences reçues, y compris celles qui pourraient entraîner un fonctionnement inattendu.

Les modifications de cet équipement qui n'ont pas été expressément approuvées par le responsable de la conformité aux limites pourraient annuler l'autorité dont l'utilisateur dispose pour utiliser cet équipement. Cet équipement a été testé et déclaré conforme aux limites définies pour les appareils numériques de classe A, conformément à la section 15 de la réglementation FCC. Ces limites ont pour but de fournir une protection raisonnable contre les interférences néfastes lorsque l'équipement fonctionne dans un environnement commercial. Cet équipement génère, utilise et peut irradier l'énergie des fréquences radio et, s'il n'est pas installé ou utilisé conformément au mode d'emploi, il peut entraîner des interférences dangereuses pour les communications radio. Le fonctionnement de cet équipement dans une zone résidentielle risque de causer des interférences nuisibles, dans ce cas l'utilisateur doit corriger les interférences à ses frais. Les techniques ci-dessous peuvent permettre de réduire les problèmes d'interférences :

1. Débrancher l'équipement de la prise de courant pour vérifier s'il est ou non la source des perturbations
2. Si l'équipement est branché sur le même circuit de prises que l'appareil qui subit des interférences, branchez l'équipement sur un circuit différent.
3. Éloigner l'équipement du dispositif qui reçoit l'interférence.
4. Repositionner l'antenne de réception du périphérique qui reçoit les interférences.
5. Essayer plusieurs des techniques ci-dessus à la fois.

Présentation du produit

AVIS

N'utilisez pas la sonde HL Series dans de l'eau contaminée par des contaminants qui pourraient endommager les capteurs ou le boîtier (par ex. des produits fortement acides ou basiques, des solvants organiques à fortes concentrations, de l'huile ou de la graisse, des métaux toxiques ou des eaux radioactives).

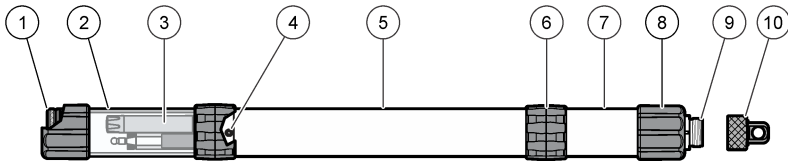
La sonde HL Series est utilisée pour la mesure ponctuelle ou la surveillance sans présence de l'utilisateur des sources d'eau de l'environnement (eau douce et eau salée). Reportez-vous aux sections [Figure 1](#) et [Figure 2](#). Les paramètres mesurés par la sonde sont identifiés sur la sonde et sur l'écran des paramètres du capteur du logiciel Hydrolab Operating Software.

La sonde HL4 comporte un capteur de température, quatre ports pour capteurs externes et un capteur de profondeur interne optionnel. Les quatre ports de capteurs externes peuvent inclure un maximum de quatre capteurs différents.

La sonde HL7 comporte un capteur de température, sept ports pour capteurs externes et un capteur de profondeur interne optionnel. Les sept ports de capteur externe peuvent inclure un maximum de sept capteurs différents ou de six capteurs différents et une brosse de nettoyage centrale en option.

Reportez-vous à l'écran des paramètres du capteur du logiciel Hydrolab Operating Software pour identifier les capteurs installés. Tous les capteurs sont installés en usine et ne peuvent être remplacés par l'utilisateur sans l'autorisation du fabricant.

Figure 1 Vue d'ensemble de l'instrument - sonde HL4



1 Bouchon de calibration pour le godet de stockage/calibration	6 Butoir en caoutchouc intermédiaire (2x) ⁶
2 Godet de stockage/calibration ⁴	7 Compartiment à piles ⁷
3 Capteurs dans la solution tampon pH 4 claire	8 Butoir en caoutchouc d'extrémité (2x) ⁶
4 Vis de blocage (2x) ⁵	9 Connecteur
5 Boîtier	10 Bouchon d'amarrage

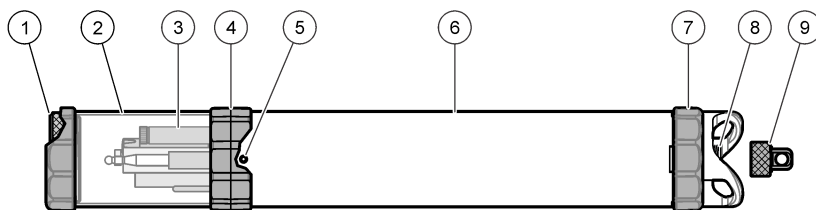
⁴ Version standard illustrée.

⁵ Pour utilisation du fabricant uniquement.

⁶ Retirez les butoirs intermédiaires et d'extrémités pour utiliser l'instrument dans un espace étroit, par exemple un puit.

⁷ Unités avec bloc-pile interne uniquement.

Figure 2 Vue d'ensemble de l'instrument - sonde HL7

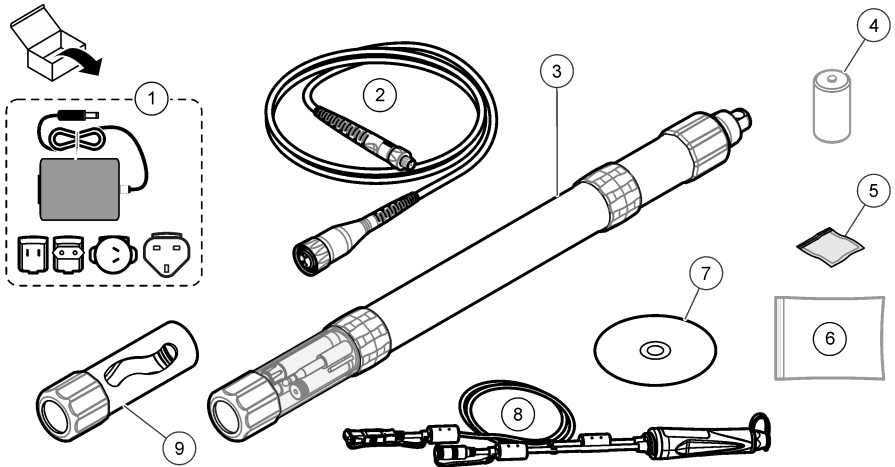


1 Bouchon de calibration pour le godet de stockage/calibration	6 Boîtier
2 Godet de stockage/calibration	7 Butoir en caoutchouc d'extrémité (2x) ⁶
3 Capteurs dans la solution tampon pH 4 claire	8 Connecteur
4 Butoir en caoutchouc intermédiaire ⁶	9 Bouchon d'amarrage
5 Vis de blocage (3x) ⁵	

Composants du produit

Assurez-vous d'avoir bien reçu tous les composants. Voir [Figure 3](#) ou [Figure 4](#). Si des éléments manquent ou sont endommagés, contactez immédiatement le fabricant ou un représentant commercial.

Figure 3 Composants de l'instrument - sonde HL4



1 Adaptateur électrique CA	6 Kit(s) de maintenance des capteurs ¹⁰
2 Câble de calibration ⁸	7 DVD du logiciel Hydrolab Operating Software
3 Sonde HL4	8 Module de communication USB
4 Pile alcaline de type D. ⁹	9 Protection de capteur avec poids ¹¹
5 Sachet de graisse de silicone, 0,25 oz	

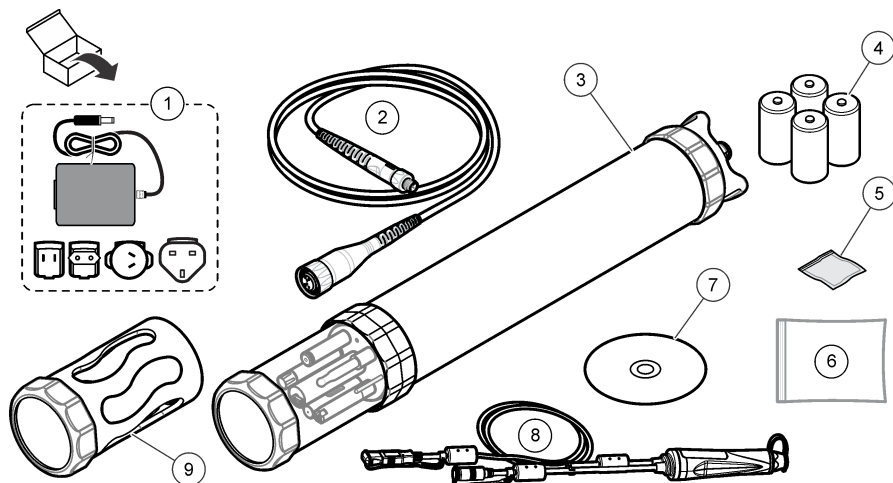
⁸ Utilisation interdite dans l'eau afin de ne pas endommager l'instrument.

⁹ Fournie avec les unités munies d'un bloc-pile interne.

¹⁰ Fourni(s) avec certains capteurs.

¹¹ Version standard illustrée.

Figure 4 Composants de l'instrument - sonde HL7



1 Adaptateur électrique CA	6 Kit(s) de maintenance des capteurs ¹⁰
2 Câble de calibration ⁸	7 DVD du logiciel Hydrolab Operating Software
3 Sonde HL7	8 Module de communication USB
4 Piles alcalines type D (4x)	9 Protection de capteur avec poids
5 Sachet de graisse de silicone, 0,25 oz (7 g)	

Mise en marche

Installer la pile - sonde HL4

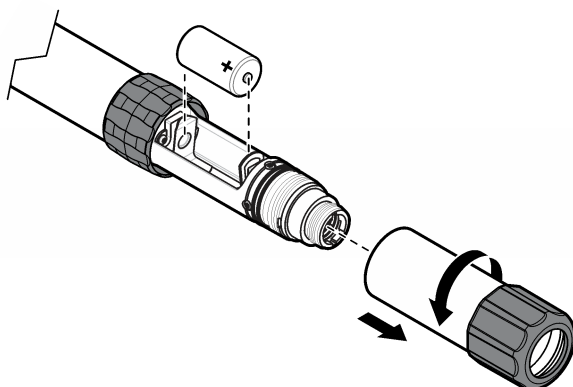
▲ AVERTISSEMENT



Risque d'explosion. Une installation incorrecte des piles peut libérer des gaz explosifs. Veillez à ce que les piles soient du même type chimique homologué et qu'elles soient insérées dans le bon sens.

Pour les instruments avec un bloc-pile interne, installez la pile D fournie. Reportez-vous à [Figure 5](#).

Figure 5 Installation de la pile



Installer les piles - sonde HL7

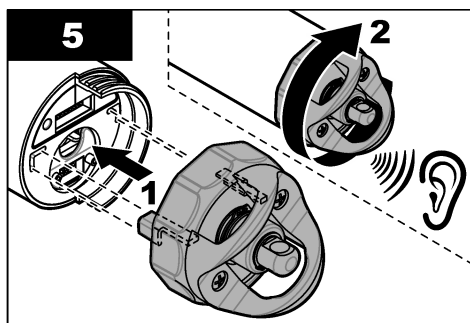
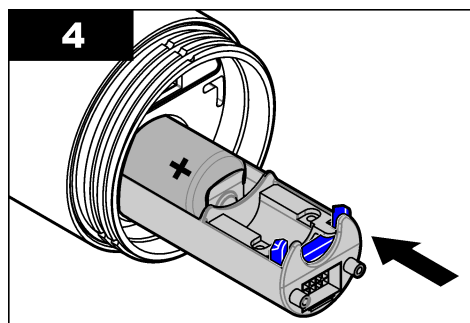
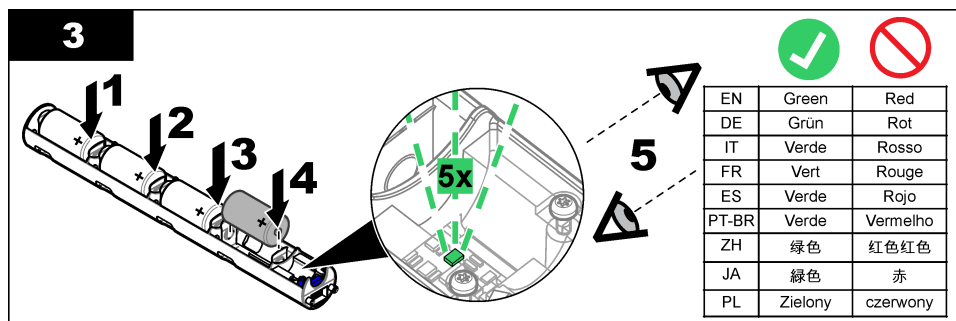
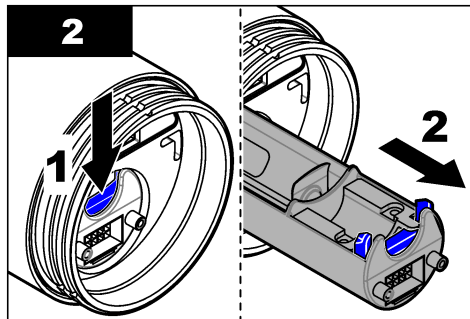
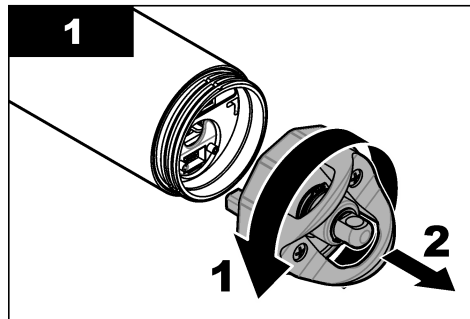
⚠ AVERTISSEMENT



Risque d'explosion Une installation incorrecte des piles peut libérer des gaz explosifs. Veillez à ce que les piles soient du même type chimique homologué et qu'elles soient insérées dans le bon sens. Ne mélangez pas des piles neuves et des piles usagées. Ne mélangez pas des piles de marques différentes. N'utilisez pas de piles endommagées.

Installez les quatre piles de type D fournies. Reportez-vous aux étapes illustrées ci-dessous.

L'indicateur de charge clignote en vert lorsque la dernière pile est installée. Si le voyant lumineux rouge clignote, les piles ne sont pas suffisamment chargées.



Installation du logiciel

Installez le logiciel Hydrolab Operating Software sur un PC.

Éléments à réunir :

- PC avec Windows XP SP3 ou ultérieur

- DVD du logiciel Hydrolab Operating Software
1. Insérez le DVD dans le PC. Le programme d'installation démarre.
 2. Effectuez les étapes indiquées par le logiciel pour l'installer sur le PC.

Connexion au PC

Connectez l'instrument au PC.

Éléments à réunir :

- PC avec Hydrolab Operating Software
- Câble d'étalonnage ou câble de déploiement en option
- Module de communication
- Adaptateur électrique¹²

1. Connectez l'instrument au PC. Reportez-vous à [Figure 6](#).

Faites tourner la face inférieure du bouchon d'amarrage pour le retirer de la sonde. La face supérieure du bouchon d'amarrage ne tourne pas lorsque celui-ci est installé.

Remarque : Figure 6 montre la sonde HL4. Les étapes sont identiques pour la sonde HL7.

Pour effectuer la connexion à un adaptateur électrique ou un module de communication non présenté dans ce manuel, reportez-vous à la documentation fournie avec l'adaptateur électrique ou le module de communication.

Remarque : une connexion électrique externe est facultative pour les instruments avec un bloc-pile interne. La ou les piles ne sont pas utilisées lorsqu'une alimentation externe est utilisée.

2. Lors de l'installation initiale et chaque fois qu'un port USB différent est utilisé sur le PC :

- a. Windows indique qu'un nouveau périphérique est détecté et un assistant s'ouvre. Sélectionnez **Non, pas maintenant** pour rechercher le logiciel, puis cliquez sur **Suivant**.
- b. Sélectionnez **Installer le logiciel automatiquement (Recommandé)**, puis cliquez sur **Suivant**. Aucun DVD n'est nécessaire.

Windows installe le pilote logiciel pour le module de communication.

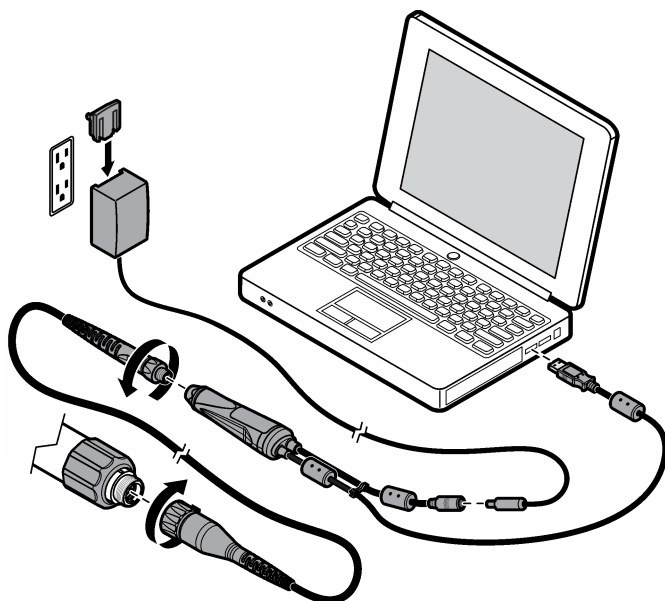
3. Lancez le logiciel Hydrolab Operating Software. L'instrument connecté s'affiche dans le champ Se connecter au périphérique.

Remarque : si l'étape 2 n'est pas effectuée lors de l'installation initiale, l'instrument ne sera pas affiché dans le champ Se connecter au périphérique.

4. Sélectionnez l'instrument, puis cliquez sur **Connecter**.

¹² Facultatif pour les instruments avec un bloc-pile interne

Figure 6 Connexion de l'instrument au PC



Fonctionnement

Configuration

Consultez le *manuel Hydrolab Operating Software* pour configurer les paramètres du logiciel, de l'instrument et du capteur. Pour consulter le *manuel Hydrolab Operating Software*, lancez Hydrolab Operating Software, cliquez sur Help (Aide) et sélectionnez Hydrolab Operating Software Help.

Calibration

⚠ ATTENTION



Risque d'exposition chimique. Respectez les procédures de sécurité du laboratoire et portez tous les équipements de protection personnelle adaptés aux produits chimiques que vous manipulez. Consultez les fiches de données de sécurité (MSDS/SDS) à jour pour connaître les protocoles de sécurité applicables.

⚠ ATTENTION



Risque d'exposition chimique. Mettez au rebut les substances chimiques et les déchets conformément aux réglementations locales, régionales et nationales.

Calibrez les capteurs avant une première utilisation, à intervalles réguliers et après modification ou maintenance des capteurs. Effectuez régulièrement une vérification de la calibration pour vous assurer que les mesures sont toujours comprises dans la plage de tolérance.

Consultez le *manuel du logiciel Hydrolab Operating Software* pour obtenir les indications nécessaires à la réalisation des tâches suivantes :

- Lancez la calibration du capteur.
- Lancez une vérification de la calibration du capteur.

- Définissez le mode de calibration.
- Sélectionnez les unités de mesure affichées lors de la calibration et des vérifications de calibration.
- Consultez l'historique de calibration.

Pour consulter le *manuel du logiciel Hydrolab Operating Software*, lancez Hydrolab Operating Software, cliquez sur Help (Aide) et sélectionnez l'aide du logiciel.

Lorsqu'une calibration ou une vérification de calibration est lancée, les instructions pour le capteur s'affichent étape par étape à l'écran.

Préparation des capteurs pour la calibration

Avant la calibration, rincez systématiquement le godet de stockage/calibration et nettoyez les capteurs pour éviter toute contamination des solutions de calibration.

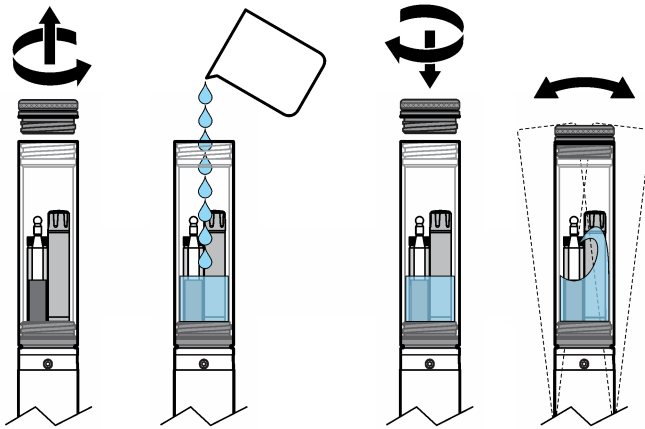
1. Rincez le godet de stockage/calibration à l'eau claire.
2. Nettoyez les capteurs. Reportez-vous à la documentation sur les capteurs pour obtenir des instructions.
3. Rincez les capteurs au moins trois fois avec de l'eau déminéralisée. Reportez-vous à [Figure 7](#).

Remarque : [Figure 7](#) montre la sonde HL4. Les étapes sont identiques pour la sonde HL7.

4. Rincez les capteurs au moins deux fois avec une solution de calibration. Reportez-vous à [Figure 7](#).

Pour des résultats optimaux, jetez l'eau déminéralisée et la solution de calibration après chaque rinçage.

Figure 7 Rinçage des capteurs



Instructions de déploiement

AVIS

Installez le bouchon d'amarrage ou connectez le câble de déploiement à l'instrument systématiquement avant le déploiement pour conserver le connecteur au sec. N'utilisez pas le câble d'étalonnage pour le déploiement car cela mouillerait le connecteur.

AVIS

Installez toujours la protection de capteur avant le déploiement afin d'éviter d'endommager les capteurs.

- N'appliquez pas plus de 68 kg (150 lb) supplémentaires sur l'instrument lorsque le bouchon d'amarrage est utilisé.

- N'appliquez pas plus de 113 kg (250 lb) supplémentaires sur l'instrument lorsque le câble de déploiement est utilisé.
- Ne suspendez pas de poids à la protection de capteur. Reportez-vous à [Caractéristiques](#) à la page 78 pour obtenir des informations sur la résistance à la traction du bouchon d'amarrage et du câble de déploiement.

Entretien du câble

- Lubrifiez à intervalles réguliers, et aussi souvent que nécessaire, la surface d'étanchéité du bouchon d'amarrage et le câble de déploiement en option avec de la graisse au silicone sur un coton-tige.
- Conservez tous les câbles non étanches (l'ensemble des câbles, à l'exception du câble de déploiement) dans un endroit propre, sec et non corrosif. Si un câble est encrassé ou humide, nettoyez-le et/ou séchez-le à l'air avant utilisation.
- Ne placez pas les câbles non étanches dans une bobine de moins de 30,5 cm (12 po) de diamètre afin de ne pas les endommager.
- Ne faites pas de nœud avec les câbles et n'utilisez pas de clip pour indiquer une profondeur.
- Ne pliez pas et ne placez pas le câble de déploiement sur une poulie de moins de 10 cm (4 po) de rayon ou 20 cm (8 po) de diamètre.
- Utilisez une bobine motorisée ou à manivelle avec des bagues collectrices électriques pour abaisser et soulever l'instrument si les câbles sont très longs. Vous pouvez utiliser une bobine plus légère sans bagues collectrices avec des câbles plus courts.

Déploiement (avec surveillance) à court terme

AVIS

Ne placez pas l'instrument dans un endroit où le câble de déploiement risque d'être sectionné ou endommagé par des hélices de bateau ou tout autre objet en mouvement.

Déploiement à l'aide d'un PC

Éléments à réunir :

- PC avec Hydrolab Operating Software
- Protection de capteur
- Câble de déploiement
- Module de communication USB
- Adaptateur électrique¹³

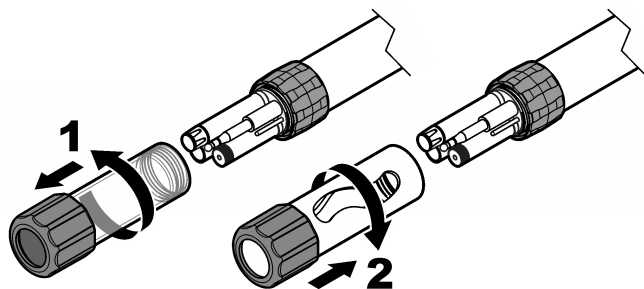
1. Connectez l'instrument au PC. Reportez-vous à [Connexion au PC](#) à la page 86. Assurez-vous d'utiliser le câble de déploiement, et non le câble de calibration.
2. Retirez le godet de stockage/calibration. Reportez-vous à [Figure 8](#). Conservez le godet de stockage/calibration pour utilisation ultérieure.
Remarque : [Figure 8](#) montre la sonde HL4. Les étapes sont identiques pour la sonde HL7.
3. Installation de la protection de capteur. Reportez-vous à [Figure 8](#).
Ne laissez pas les capteurs sécher.
4. Plongez dans l'eau l'instrument à mesurer. Pour des résultats optimaux, assurez-vous que l'instrument est entièrement immergé.
5. Cliquez sur **Surveillance** pour observer les mesures en temps réel. Consultez le *manuel Hydrolab Operating Software* pour effectuer les mesures et/ou modifier la vue.

Remarque : Pour consulter le manuel *Hydrolab Operating Software*, lancez *Hydrolab Operating Software*, cliquez sur *Help (Aide)* et sélectionnez *Hydrolab Operating Software Help*.

Une fois les mesures effectuées, préparez l'instrument en vue d'un déplacement. Reportez-vous à [Préparation pour le stockage ou un déplacement](#) à la page 99.

¹³ Facultatif pour les instruments avec un bloc-pile interne

Figure 8 Installation de la protection de capteur



Déploiement à l'aide d'une cuve à circulation

▲ AVERTISSEMENT

Risque de blessures corporelles. Risque de blessures corporelles. Assurez-vous que la pression de l'échantillon est inférieure à 103 kPa (15 psig).

Pour la surveillance de processus ou via une pompe, installez la cuve à circulation optionnelle sur la sonde et faites circuler l'eau d'échantillon à travers la cuve à circulation. Reportez-vous à [Figure 9](#).

Assurez-vous que la pression de l'eau dans la cuve à circulation n'excède pas 103 kPa (15 psig), cela peut endommager la cuve à circulation et provoquer des blessures.

Éléments à réunir :

- PC avec Hydrolab Operating Software ou le contrôleur géré par le module de surveillance HL
- Câble de déploiement
- Cuve à circulation
- Tuyaux, ½ po.
- Filtre à eau (en option)
- Pompe à eau ou siphon (en option)
- Module de communication USB (si un PC est utilisé)
- Adaptateur électrique¹⁴

1. Pour utiliser un PC, connectez-le à l'instrument. Reportez-vous à [Connexion au PC](#) à la page 86. Assurez-vous d'utiliser le câble de déploiement, et non le câble de calibration.
2. Pour utiliser un module de surveillance HL, connectez-le à l'instrument. Consultez le *Manuel d'utilisation du module de surveillance HL*. Assurez-vous d'utiliser le câble de déploiement, et non le câble de calibration.
3. Retirez le godet de stockage/calibration. Conservez le godet de stockage/calibration pour utilisation ultérieure.
4. Installez la cuve à circulation optionnelle. Reportez-vous à [Figure 9](#). Ne laissez pas les capteurs sécher.
5. Connectez deux tuyaux de ½ po aux ports d'échantillonnage d'entrée et de sortie.
6. Fixez l'extrémité ouverte du tuyau d'échantillonnage de sortie vers une évacuation ouverte ou un récipient de récupération.
7. Placez l'extrémité ouverte du tuyau d'échantillonnage d'entrée sur l'eau d'échantillonnage. Enlevez les résidus non désirés de l'eau d'échantillonnage avec un filtre si nécessaire.
8. Si possible, retirez les bulles des capteurs en retournant la sonde, de sorte à les évacuer vers le port d'échantillonnage de sortie.
9. Démarrer l'écoulement de l'eau d'échantillonnage vers la cuve à circulation.

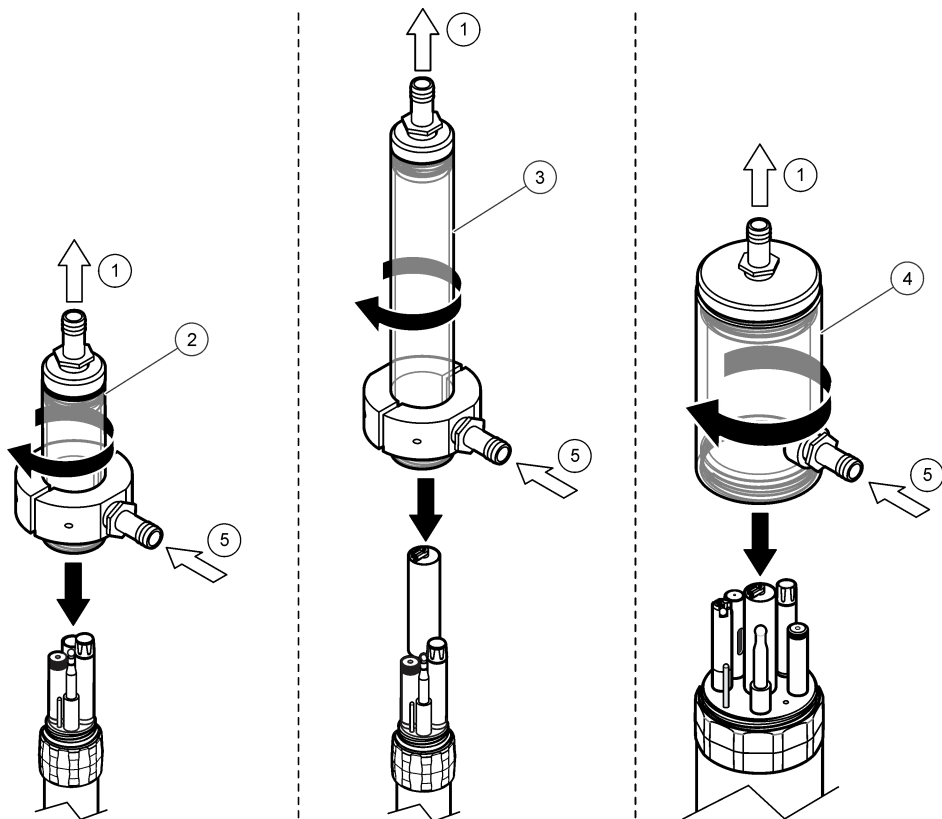
¹⁴ Facultatif pour les instruments avec un bloc-pile interne

10. Cliquez sur **Surveillance** pour observer les mesures en temps réel. Consultez le *Manuel Hydrolab Operating Software* ou le *Manuel d'utilisation du module de surveillance HL* pour saisir les mesures et/ou modifier la vue.

Remarque : Pour consulter le manuel *Hydrolab Operating Software*, lancez *Hydrolab Operating Software*, cliquez sur *Help (Aide)* et sélectionnez *Hydrolab Operating Software Help*.

Une fois les mesures effectuées, préparez l'instrument en vue d'un déplacement. Reportez-vous à [Préparation pour le stockage ou un déplacement](#) à la page 99.

Figure 9 Installation d'une cuve à circulation



1 Sortie de l'échantillon	4 Cuve à circulation pour HL7
2 Cuve à circulation pour HL4	5 Entrée de l'échantillon
3 Cuve à circulation pour HL4 avec capteur étendu	

Déploiement (sans surveillance) à long terme

Déploiement à l'aide d'un bouchon d'amarrage

Seuls les instruments avec un bloc-pile interne peuvent être déployés avec un bouchon d'amarrage.

Éléments à réunir :

- PC avec Hydrolab Operating Software
- Protection de capteur

- Bouchon d'amarrage
- Fil de ligne ou corde
- Câble de calibration
- Module de communication USB
- Adaptateur électrique¹⁵

1. Au bureau ou sur le terrain, ajoutez un nouveau journal à l'instrument.

Les mesures sont enregistrées dans le nouveau journal, conformément à la plage de dates et à l'intervalle de mesure sélectionnés.

- Connectez l'instrument à un PC. Reportez-vous à [Connexion au PC](#) à la page 86.
- Cliquez sur **Enregistrement**, puis ajoutez un nouveau journal. Reportez-vous à [Logging](#) (Enregistrement) dans l'aide en ligne.
- Sélectionnez **Fichier>Déconnecter du périphérique** pour déconnecter l'instrument du PC.

Remarque : vous pouvez aussi cliquer sur **Dispositifs**, sélectionner l'instrument, puis cliquer sur **Déconnecter**.

d. Déconnectez le câble de calibration de l'instrument.

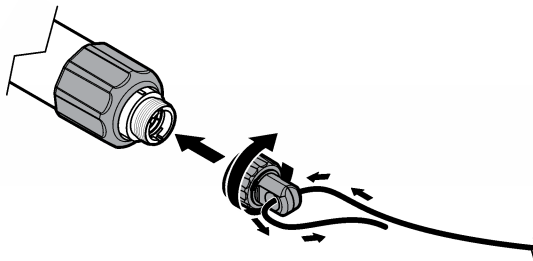
2. Placez le bouchon d'amarrage sur l'instrument. Reportez-vous à [Figure 10](#). Faites pivoter la partie inférieure du bouchon d'amarrage pour l'installer.

Remarque : [Figure 10](#) montre la sonde HL4. Les étapes sont identiques pour la sonde HL7.

- Sur site, attachez une corde ou un câble au bouchon d'amarrage et/ou à l'attache (sonde HL7 uniquement). Reportez-vous à [Figure 10](#).
- Retirez le godet de stockage/calibration. Reportez-vous à [Figure 8](#) à la page 90. Conservez le godet de stockage/calibration pour utilisation ultérieure.
- Installation de la protection de capteur. Reportez-vous à [Figure 8](#) à la page 90. Ne laissez pas les capteurs sécher.
- Plongez dans l'eau l'instrument à mesurer. Pour des résultats optimaux, assurez-vous que l'instrument est entièrement immergé.
- Fixez l'instrument à une bouée, une ancre ou une structure. Reportez-vous à [Fixation à une bouée, une ancre ou une structure](#) à la page 94.

Une fois le déploiement effectué, préparez l'instrument en vue d'un déplacement. Reportez-vous à [Préparation pour le stockage ou un déplacement](#) à la page 99.

Figure 10 Installation du bouchon d'amarrage



Déploiement à l'aide d'un contrôleur ou d'un système d'acquisition de données

Pour recueillir à distance des mesures en temps réel depuis l'instrument, connectez ce dernier à un système d'acquisition de données (c.-à-d. un enregistreur de données ou un modem) ou un contrôleur avec un module de communication compatible.

¹⁵ Facultatif pour les instruments avec un bloc-pile interne

L'instrument reste en mode de consommation réduite (veille) jusqu'à ce qu'il reçoive une commande du périphérique externe pour s'allumer, effectuer une mesure et lui transmettre les paramètres mesurés. Reportez-vous à l'aide en ligne pour obtenir des informations sur les commandes SDI-12 et TTY prises en charge par l'instrument.

Configuration du module de communication

Éléments à préparer :

- PC avec logiciel d'exploitation Hydrolab
- Module de communication

1. Au bureau ou sur le terrain, connectez le module de communication approprié à un port USB du PC.
2. Lancez le logiciel d'exploitation Hydrolab. Le module de communication connecté s'affiche dans le champ *Se connecter au périphérique*.
3. Sélectionnez le module de communication, puis cliquez sur **Connecter**. La fenêtre de configuration du module de communication s'affiche.
4. Configurez le module de communication. Reportez-vous à la section *Configuration* de l'aide en ligne.
5. Une fois la configuration terminée, déconnectez le câble de communication du PC.
 - a. Sélectionnez **Fichier>Déconnecter du périphérique** pour déconnecter le câble de communication du PC.

*Remarque : vous pouvez aussi cliquer sur **Dispositifs**, sélectionner le câble de communication, puis cliquer sur **Déconnecter**.*
 - b. Déconnectez le câble de communication du PC.

Connexion du module de communication

Éléments à préparer :

- Contrôleur ou système d'acquisition de données
 - Module de communication (configuré)
 - Source d'alimentation externe, 6-24 V CC (tension nominale 12 V CC) ¹⁶
1. Sur le terrain, connectez le module de communication au contrôleur ou au système d'acquisition de données. Pour plus d'informations sur le câblage, consultez la documentation fournie avec le module de communication. Reportez-vous à [Transmission des données et câblage électrique](#) à la page 93 pour connaître les exigences de câblage pour la transmission de données.
 2. Si le contrôleur ou le système d'acquisition de données ne peut pas alimenter le module de communication, connectez une source d'alimentation externe à celui-ci. Reportez-vous à [Transmission des données et câblage électrique](#) à la page 93 pour connaître les exigences de câblage pour l'alimentation externe.

Transmission des données et câblage électrique

Pour connecter les lignes de transmission des données au module de communication, assurez-vous que le câble de transmission est suffisant pour le courant de fonctionnement et qu'il transférera les données sans distorsion. Pour un câble de 305 m (1 000 pieds) au maximum, trois câbles 26 AWG suffisent.

Pour connecter l'alimentation externe au module de communication, assurez-vous d'utiliser deux câbles 18 AWG pour l'alimentation. Des câbles électriques plus petits peuvent être utilisés si l'alimentation se trouve à proximité de l'instrument.

Déploiement de l'instrument

¹⁶ Facultative pour les instruments avec un bloc-pile interne. Non utilisée lorsque le système d'acquisition de données ou le contrôleur peut alimenter le module de communication.

Éléments à préparer :

- Câble de déploiement
 - Protection de capteur
1. Connectez le câble de déploiement au module de communication. Assurez-vous d'utiliser le câble de déploiement, et non le câble d'étalonnage.
 2. Connectez le câble de déploiement à l'instrument.
 3. Retirez le godet d'étalonnage/de stockage et installez la protection de capteur. Conservez le godet d'étalonnage/de stockage pour utilisation ultérieure. Reportez-vous à la [Figure 8](#) à la page 90. Ne laissez pas les capteurs sécher.
 4. Plongez dans l'eau l'instrument à mesurer. Pour des résultats optimaux, assurez-vous que l'instrument est entièrement immergé. Ne plongez pas le module de communication dans l'eau.
 5. Fixez l'instrument et le câblage à une structure. Reportez-vous à la [Fixation à une bouée, une ancre ou une structure](#) à la page 94.

Une fois le déploiement effectué, préparez l'instrument en vue d'un déplacement. Reportez-vous à la [Préparation pour le stockage ou un déplacement](#) à la page 99.

Fixation à une bouée, une ancre ou une structure

AVIS

N'utilisez pas de colliers de serrage pour fixer l'instrument, car cela pourrait l'endommager.

Pendant les périodes de contrôle sans surveillance, fixez l'instrument à une bouée, une ancre ou une structure.

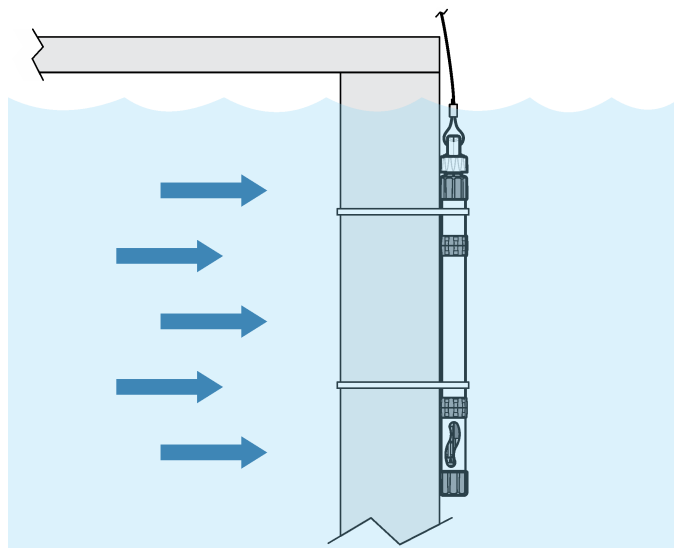
Procédez à l'installation dans un endroit où :

- L'instrument ne sera pas endommagé par des objets flottants, du sable, du gravier, de la vase, la navigation ou des actes de vandalisme.
- L'instrument ne sera pas en contact avec de la boue (après la baisse du niveau de l'eau, par exemple).
- De la glace ne se formera pas autour de l'instrument ou des capteurs.

Pour fixer l'instrument à :

- Une bouée – utilisez une bouée de repérage pour éviter tout acte de vandalisme.
- Une structure – fixez l'instrument à la partie inférieure de la structure pour éviter tout endommagement dû à des objets flottants. Reportez-vous à la [Figure 11](#). Sanglez soigneusement chaque extrémité du logement de l'instrument avec, par exemple, des ceintures et de larges attaches autobloquantes en plastique. Fixez le câble de déploiement de la même manière (le cas échéant) pour éviter tout endommagement du câble par des objets flottants, la navigation ou des actes de vandalisme. Pour éviter tout acte de vandalisme, n'installez pas l'instrument et le câble en évidence.

Figure 11 Fixation de l'instrument à une structure



Maintenance

⚠ ATTENTION



Dangers multiples. Seul le personnel qualifié doit effectuer les tâches détaillées dans cette section du document.

⚠ ATTENTION



Risque de blessures corporelles. En raison de l'accumulation de pression à l'intérieur de l'instrument, des pièces détachables peuvent se décrocher violemment au moment de la désinstallation. Détachez et retirez ces pièces avec précaution. Gardez ces pièces à distance des utilisateurs et portez l'équipement de protection approprié durant les activités de maintenance ou d'entretien.

AVIS

Ne démontez pas l'instrument sans l'autorisation du fabricant pour effectuer des tâches de maintenance. Si les composants internes doivent être nettoyés ou réparés, contactez le fabricant.

AVIS

Conservez l'instrument dans un endroit où les capteurs ne gèleront pas afin de ne pas les endommager.

Nettoyage du boîtier et de la protection de capteur

AVIS

Pour éviter tout dommage des capteurs et de l'instrument lors du nettoyage du boîtier et de la protection de capteur, n'utilisez pas de solvants qui dissoudraient le plastique.

Examinez régulièrement le boîtier de l'instrument et la protection de capteur. Nettoyez le boîtier et la protection de capteur si nécessaire, pour retirer tout dépôt ou toute matière indésirable.

1. Retirez la protection de capteur de l'instrument.
2. Versez au minimum 2,5 cm (1 po) de solution tampon pH 4 ou de l'eau du robinet claire dans le godet de stockage/calibration.

3. Placez le godet de stockage/calibration sur l'instrument.
 4. Nettoyez le boîtier et la protection de capteur avec :
 - du détergent doux ;
 - une solution dégraissante non toxique, comme Simple Green® (marque déposée de Sunshine Makers, Inc.) ;
 - de l'eau chaude ;
 - une brosse à dents souple et propre ;
 - un chiffon doux et/ou des cotons-tiges.
- Si nécessaire, faire tremper la protection et/ou le boîtier du capteur dans l'eau pendant au moins 30 minutes pour ramollir les contaminants et les enlever plus facilement.
5. Rincez le boîtier et la protection de capteur à l'eau claire.

Nettoyage des capteurs

Examinez régulièrement les capteurs pour détecter toute matière ou tout dépôt (organique ou non) indésirable et tout dommage. Nettoyez les capteurs si vous repérez des matières indésirables. De plus, nettoyez les capteurs si leurs performances se sont dégradées. Reportez-vous à la documentation sur les capteurs pour obtenir des instructions de nettoyage.

Remplacez les pièces endommagées. Remplacez toute pièce dont l'encrassement (par des sédiments et/ou des matières organiques) affecte les performances et ne peut pas être nettoyé. Reportez-vous à la documentation sur les capteurs pour obtenir des instructions de maintenance.

Remplacement de la pile(s)

▲ AVERTISSEMENT



Risque d'explosion. Les piles vides peuvent entraîner une accumulation d'hydrogène dans l'appareil. Remplacez les piles avant qu'elles ne soient vides. N'entreposez pas l'instrument pour une longue durée en laissant les piles à l'intérieur. Jetez les piles conformément à la réglementation locale, régionale et nationale.

Pour les sondes HL4 avec un bloc-pile interne, remplacez la pile alcaline de type D lorsque le niveau de charge de la pile est faible. Reportez-vous à [Figure 5](#) à la page 84.

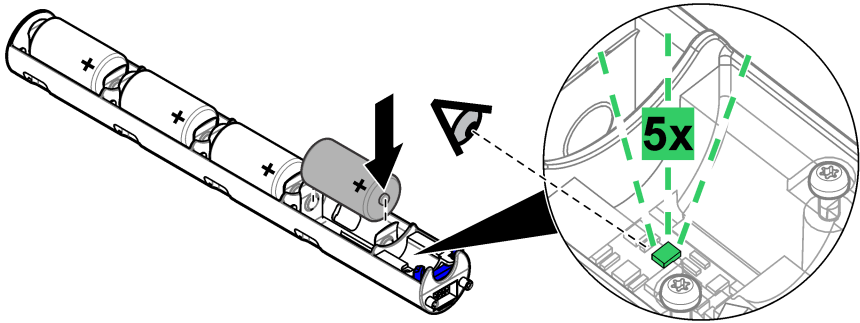
Pour les sondes HL7, remplacez les piles alcalines de type D lorsque le niveau de charge des piles est faible. Reportez-vous à [Installer les piles - sonde HL7](#) à la page 85. Assurez-vous que l'indicateur de pile clignote en vert une fois la dernière pile installée. Reportez-vous à [Figure 12](#). Si le voyant lumineux rouge clignote, les piles ne sont pas suffisamment chargées.

Remarque : Le niveau d'autonomie est indiqué dans la partie supérieure de la fenêtre du logiciel Hydrolab Operating Software.

Assurez-vous que la sonde est à l'horizontale lorsque le compartiment des piles est ouvert, pour que l'eau sur le couvercle ne s'introduise pas dedans. Si de l'eau s'infiltre dans le logement pour pile, retirez-la, videz l'eau et séchez entièrement le logement avec une serviette. Laissez le logement pour pile sécher entièrement à l'air avant utilisation pour éviter toute corrosion.

Remarque : La pile de l'horloge interne ne peut pas être remplacée par l'utilisateur sans l'autorisation du fabricant.

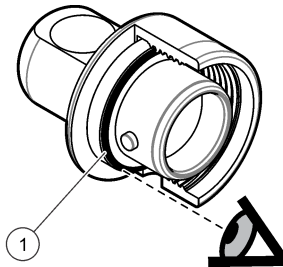
Figure 12 Indicateur de charge de pile



Vérification des joints toriques et d'étanchéité

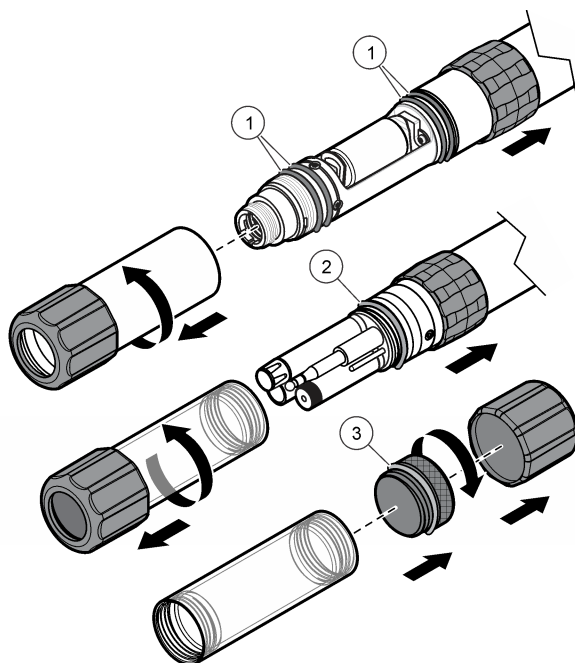
1. Examinez régulièrement les joints toriques et d'étanchéité dans le bouchon d'amarrage pour vous assurer de l'absence de matière indésirable, d'usure ou de dommage. Reportez-vous aux sections [Figure 13](#) à [Figure 15](#).
2. Retirez toute matière indésirable des joints toriques et du bouchon d'amarrage.
3. Remplacez tout joint torique visiblement endommagé ou usé (par ex. fissures ou pièces manquantes). Utilisez les joints toriques du fabricant.
4. Appliquez de la graisse de silicone sur les joints toriques pour éviter qu'ils ne se collent et quittent leur emplacement.
5. Remplacez le bouchon d'amarrage lorsque le joint d'étanchéité est visiblement endommagé ou usé.

Figure 13 Emplacement du joint d'étanchéité



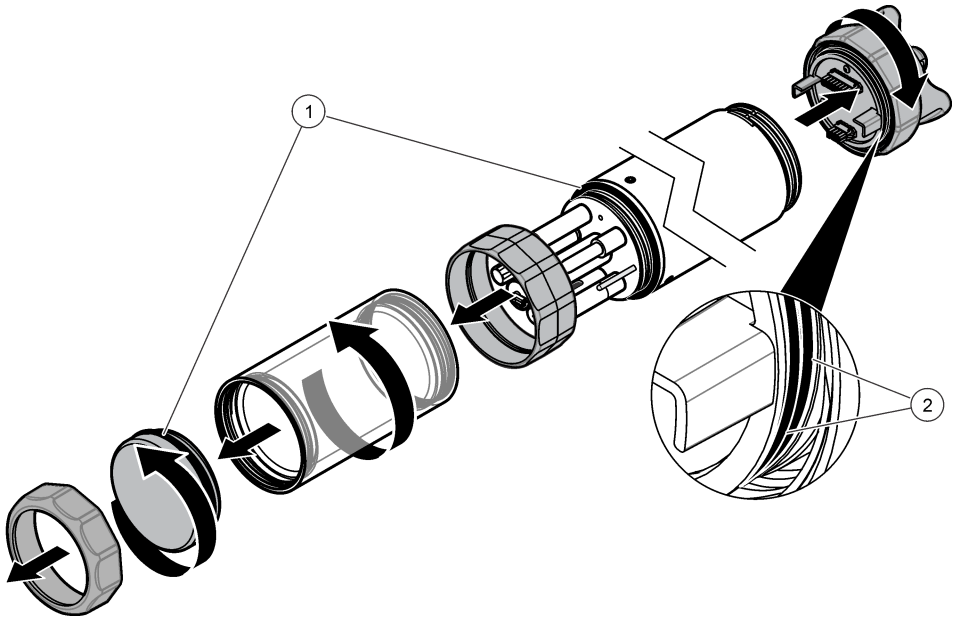
1 Joint d'étanchéité du bouchon d'amarrage

Figure 14 Emplacements de joints toriques - sonde HL4



1 Joints toriques du logement pour pile (4x)	3 Joint torique du bouchon de calibration
2 Joint torique du godet de stockage/calibration	

Figure 15 Emplacements de joints toriques - sonde HL7



1 Joints toriques pour godet de stockage/calibration (2x)

2 Joints toriques du logement pour pile (2x)

Préparation pour le stockage ou un déplacement

AVIS

Conservez l'instrument dans un endroit où l'eau contenue dans le godet d'étalonnage/de stockage ne gèlera pas afin de ne pas endommager les capteurs.

AVIS

Ne conservez pas les capteurs dans de l'eau déminéralisée ou dans des solutions de nettoyage, cela peut endommager le capteur.

AVIS

Ne conservez pas un capteur de turbidité ou un fluoromètre dans un tampon de pH coloré, cela peut endommager le capteur.

AVIS

Ne conservez pas les capteurs dans des échantillons d'eau sur le terrain pendant une période prolongée, car la prolifération organique pourrait contaminer les capteurs.

1. Rincez l'instrument et les capteurs avec de l'eau du robinet claire.
2. Retirez la protection de capteur et installez le godet de stockage/calibration. Versez au minimum 2,5 cm (1 po) de solution tampon pH 4 non colorée ou de l'eau du robinet claire dans le godet de stockage/calibration. Reportez-vous à [Figure 16](#).

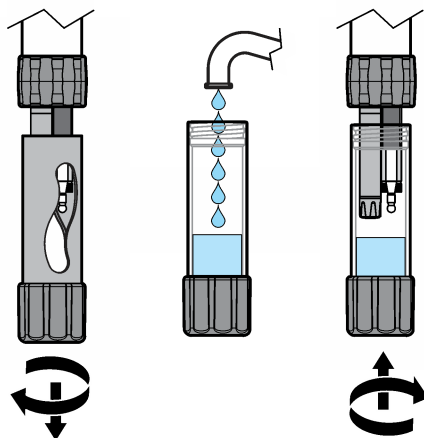
Remarque : [Figure 16](#) montre la sonde HL4. Les étapes sont identiques pour la sonde HL7.

Remarque : Il est inutile de plonger les capteurs dans la solution tampon pH ou l'eau.

Remarque : Faites en sorte que le capteur de gaz dissous totaux ne soit pas humide, afin de ne pas endommager la membrane du capteur.

3. Assurez-vous que le butoir d'extrémité est placé dans le godet de stockage/calibration.
4. Installez le bouchon d'amarrage sur le connecteur pour que celui-ci reste propre et sec.
5. Placez tous les câbles non étanches (l'ensemble des câbles, à l'exception du câble de déploiement) dans un conteneur sec. Ne placez pas les câbles dans une bobine de moins de 30,5 cm (12 po) de diamètre afin de ne pas les endommager.
6. Nettoyez les capteurs avant le stockage. Consultez la documentation relative aux capteurs.
7. Pour le stockage prolongé, retirez la ou les piles de type D. Voir [Figure 5](#) à la page 84 ou [Installer les piles - sonde HL7](#) à la page 85. Aucune autre préparation n'est nécessaire pour le stockage prolongé des capteurs.

Figure 16 Préparation pour le stockage ou un déplacement



Préparation pour l'utilisation après une période de stockage prolongée

Lorsque l'instrument a été stocké pendant plus d'un mois :

1. Remplacez l'électrolyte des capteurs, le cas échéant.
2. Etalonnez les capteurs. Reportez-vous à la [Calibration](#) à la page 87.

Réhydratation des capteurs

Si les capteurs deviennent secs, il convient de les faire tremper dans de l'eau avant utilisation.

Remarque : Faites en sorte que le capteur de gaz dissous totaux ne soit pas humide, afin de ne pas endommager la membrane du capteur.

Dépannage

Consultez le *manuel Hydrolab Operating Software* pour obtenir des informations pour le dépannage. Pour consulter le *manuel Hydrolab Operating Software*, lancez Hydrolab Operating Software, cliquez sur Help (Aide) et sélectionnez Hydrolab Operating Software Help.

Pièces de rechange et accessoires

⚠ AVERTISSEMENT



Risque de blessures corporelles. L'utilisation de pièces non approuvées comporte un risque de blessure, d'endommagement de l'appareil ou de panne d'équipement. Les pièces de rechange de cette section sont approuvées par le fabricant.

Remarque : Les numéros de référence de produit et d'article peuvent dépendre des régions de commercialisation. Prenez contact avec le distributeur approprié ou consultez le site web de la société pour connaître les personnes à contacter.

Pièces de rechange - sonde HL4

Description	Article n°
Gaine du logement pour pile, Sonde HL4	9047300
Protection de la borne de pile, Sonde HL4	9032000
Butoir, caoutchouc, extrémité, Sonde HL4	9383100
Butoir, caoutchouc, intermédiaire, Sonde HL4	9383200
Bouchon, godet d'étalonnage/de stockage, Sonde HL4	9040900
Joint torique, compartiment pour pile, sonde HL4 ¹⁷	9048400
Joint torique, godet d'étalonnage/de stockage et bouchon, Sonde HL4	002811
Kit de maintenance, capteur de turbidité avec racleur, sonde HL4	9480800
Protection de capteur, version standard, Sonde HL4	9383700
Protection de capteur, version standard avec poids, Sonde HL4	9044100
Protection de capteur, version étendue, Sonde HL4	9383800
Protection de capteur, version étendue avec poids, Sonde HL4	8734500
Poids de la protection du capteur, sonde HL4	9383900
Emballage d'expédition, sonde HL4	9309100
Godet d'étalonnage/de stockage, version standard, Sonde HL4	003306
Godet d'étalonnage/de stockage, version étendue, Sonde HL4	003395HY

Pièces de rechange - sonde HL7

Description	Article n°
Bloc-pile	BLOC-PILE HL7
Bouchon, godet de stockage/calibration, sonde HL7	003609HY
Joint torique, godet de stockage/calibration et bouchon, sonde HL7	000568
Protection du capteur avec poids, sonde HL7	8457100
Emballage d'expédition, sonde HL7	8490400
Godet de stockage/calibration, sonde HL7	003608
Kit de maintenance, capteur de turbidité avec brosse de nettoyage centrale et racleur, sonde HL7	9480900

Pièces de rechange - sondes HL4 et HL7

Description	Article n°
Câble de calibration	9310600
Bouchon antipoussière, connecteur USB A	9046200

¹⁷ Quatre piles sont nécessaires pour la sonde HL4.

Pièces de rechange - sondes HL4 et HL7 (suite)

Description	Article n°
Bouchon antipoussière, connecteur 5 broches	9046100
Bouchon antipoussière, connecteur d'alimentation CC	9046000
Module de communication, USB	6748600
DVD, Hydrolab Operating Software	9512900
Le kit de maintenance, électrode de référence standard, comprend : Joint torique (000467HY), pastilles de sel (005376HY), raccord PTFE (000548HY) et solution électrolyte (005308HY)	014660HY
Kit de maintenance, kit de remplacement de bouchon, capteur LDO	007460
Le kit de maintenance, capteur de pH avec électrode de référence intégrée, comprend : Joint torique (003396HY), seringue, tournevis ¼ po, pastilles de sel (005376HY), raccord PTFE (002770HY), solution électrolyte (005308HY)	013410HY
Bouchon d'amarrage	9310500
Adaptateur électrique, CA	002782
Sachet de graisse de silicone, 0,25 oz (7 g)	000298HY

Accessoires

Description	Article n°
Module de communication, USB	6748600
Module de communication, SDI-12	9039600
Module de communication, RS485 Modbus	9039700
Module de communication, RS232 Modbus	9039800
Module de communication, RS232 TTY	9312900
Le kit de bouchon antipoussière, modules de communication, comprend :	8808200
Bouchon antipoussière, connecteur d'alimentation CC	9046000
Bouchon antipoussière, connecteur 5 broches	9046100
Bouchon antipoussière, connecteur USB A	9046200
Bouchon antipoussière, connecteur DB9	9045900
Câble de déploiement, 5 m	CZ005
Câble de déploiement, 10 m	CZ010
Câble de déploiement, 15 m	CZ015
Câble de déploiement, 25 m	CZ025
Câble de déploiement, 30 m	CZ030
Câble de déploiement, 50 m	CZ050
Câble de déploiement, 75 m	CZ075
Câble de déploiement, 100 m	CZ100
Câble de déploiement, 150 m	CZ150
Câble de déploiement, 200 m	CZ200

Accessoires (suite)

Description	Article n°
Bouchon de câble de déploiement, extrémité humide	9714500
Cuve à circulation, HL4	014880
Cuve à circulation, HL4 avec un capteur étendu	013520HY
Cuve à circulation, HL7	014120

Tabla de contenidos

[Especificaciones](#) en la página 104

[Información general](#) en la página 105

[Puesta en marcha](#) en la página 109

[Operación](#) en la página 112

[Mantenimiento](#) en la página 120

[Solución de problemas](#) en la página 125

[Piezas de repuesto y accesorios](#) en la página 126

Especificaciones

Las especificaciones están sujetas a cambios sin previo aviso.

Especificación	Detalles
Dimensiones	HL4: Ø de 4,44 cm (1,75 pulgadas) sin topes de goma; Ø de 5,33 cm (2,1 pulgadas) con topes de goma. Longitud: 51,43 cm (20,25 pulgadas) sin batería interna y con protección del sensor estándar; 66,36 cm (26,125 pulgadas) sin batería interna y con protección del sensor avanzada; 62,23 cm (24,5 pulgadas) con batería interna y protección del sensor estándar; 77,787 cm (30,625 pulgadas) con batería interna y protección del sensor avanzada HL7: Ø de 8,9 cm (3,5 pulgadas) sin topes de goma; Ø de 9,6 cm (3,78 pulgadas) con topes de goma. Longitud: 66,4 cm (26,1 pulgadas)
Peso	HL4: 2,2 kg (5 lb) con batería interna, una batería D y una taza de almacenamiento/calibración sin líquido HL7: 4,5 kg (10 lb) con cuatro baterías D y una taza de almacenamiento/calibración sin líquido
Requisitos de alimentación eléctrica	HL4: 6–24 VCC (12 VCC nominal) aplicados al módulo de comunicaciones, 12 VCC: promedio de 250 mW, máximo de 18 W HL7: 6–24 VCC (12 VCC nominal) aplicados al módulo de comunicaciones, 12 VCC: promedio de 2,0 W, máximo de 24 W
Batería interna ¹	HL4: una batería D alcalina interna, no recargable. Aproximadamente 75 días de uso con un intervalo de registro de 15 minutos y el valor predeterminado de tiempo de calentamiento con los sensores de profundidad, temperatura, conductividad, pH y LDO instalados y a temperatura ambiente. HL7: cuatro baterías D alcalinas internas, no recargables. Aproximadamente 90 días de uso con un intervalo de registro de 15 minutos y el valor predeterminado de tiempo de calentamiento con los sensores de temperatura, conductividad, pH, LDO, clorofila a, cianobacterias (agua dulce) y turbidez instalados, un cepillo de limpieza central configurado para realizar una revolución y los sensores a temperatura ambiente.
Temperatura de funcionamiento ²	-5 a 50 °C (23 a 122 °F), sin congelación
Temperatura de almacenamiento	1 a 50 °C (34 a 122 °F)
Profundidad	200 m (656 pies) máximo <i>Nota: Algunos sensores no se pueden utilizar a 200 m (656 pies). Consulte la documentación del sensor para conocer las especificaciones de profundidad del sensor.</i>
Resistencia a la tracción (máximo)	Anclaje: 68 kg (150 lb); cable de instalación: 227 kg (500 lb)
Sensores	HL4: sensor de temperatura, cuatro puertos externos para sensores y un sensor interno de profundidad opcional HL7: sensor de temperatura, siete puertos externos para sensores y un sensor interno de profundidad opcional Consulte la documentación del sensor para conocer las especificaciones del sensor.

¹ Opcional para la sonda HL4

² Si el instrumento funciona fuera de este rango de temperatura, se pueden producir daños mecánicos o fallos del sistema electrónico.

Especificación	Detalles
Comunicaciones	Módulo de comunicaciones: USB, SDI-12, RS232 Modbus, RS485 Modbus y RS232 TTY
Registro	4 GB de memoria interna ³ ; intervalo mínimo de 1 segundo
Certificación	Marcado CE. Otras certificaciones están sujetas a cambios. Póngase en contacto con el fabricante.

Información general

En ningún caso el fabricante será responsable de ningún daño directo, indirecto, especial, accidental o resultante de un defecto u omisión en este manual. El fabricante se reserva el derecho a modificar este manual y los productos que describen en cualquier momento, sin aviso ni obligación. Las ediciones revisadas se encuentran en la página web del fabricante.

Información de seguridad

AVISO

El fabricante no es responsable de ningún daño debido a un mal uso de este producto incluyendo, sin limitación, daños directos, fortuitos o circunstanciales y reclamaciones sobre los daños que no estén recogidos en la legislación vigente. El usuario es el responsable de la identificación de los riesgos críticos y de tener los mecanismos adecuados de protección de los procesos en caso de un posible mal funcionamiento del equipo.

Lea todo el manual antes de desembalar, instalar o trabajar con este equipo. Ponga atención a todas las advertencias y avisos de peligro. El no hacerlo puede provocar heridas graves al usuario o daños al equipo.

Asegúrese de que la protección proporcionada por el equipo no está dañada. No utilice ni instale este equipo de manera distinta a lo especificado en este manual.

Uso de la información sobre riesgos

▲ PELIGRO

Indica una situación potencial o de riesgo inminente que, de no evitarse, provocará la muerte o lesiones graves.

▲ ADVERTENCIA

Indica una situación potencial o inminentemente peligrosa que, de no evitarse, podría provocar la muerte o lesiones graves.

▲ PRECAUCIÓN

Indica una situación potencialmente peligrosa que podría provocar una lesión menor o moderada.



AVISO

Indica una situación que, si no se evita, puede provocar daños en el instrumento. Información que requiere especial énfasis.

Etiquetas de precaución

Lea todas las etiquetas y rótulos adheridos al instrumento. En caso contrario, podrían producirse heridas personales o daños en el instrumento. El símbolo que aparezca en el instrumento se comentará en el manual con una declaración de precaución.

³ Memoria con capacidad para almacenar 5 años de mediciones continuas a un intervalo de registro de 15 minutos

	<p>Este símbolo (en caso de estar colocado en el equipo) hace referencia a las instrucciones de uso o a la información de seguridad del manual.</p>
	<p>En Europa, el equipo eléctrico marcado con este símbolo no se debe desechar mediante el servicio de recogida de basura doméstica o pública. Devuelva los equipos viejos o que hayan alcanzado el término de su vida útil al fabricante para su eliminación sin cargo para el usuario.</p>

Certificación

Reglamentación canadiense sobre equipos que provocan interferencia, IECS-003, Clase A

Registros de pruebas de control del fabricante.

Este aparato digital de clase A cumple con todos los requerimientos de las reglamentaciones canadienses para equipos que producen interferencias.

Cet appareil numérique de classe A répond à toutes les exigences de la réglementation canadienne sur les équipements provoquant des interférences.

FCC Parte 15, Límites Clase "A"

Registros de pruebas de control del fabricante. Este dispositivo cumple con la Parte 15 de las normas de la FCC estadounidense. Su operación está sujeta a las siguientes dos condiciones:

1. El equipo no puede causar interferencias perjudiciales.
2. Este equipo debe aceptar cualquier interferencia recibida, incluyendo las interferencias que pueden causar un funcionamiento no deseado.

Los cambios o modificaciones a este equipo que no hayan sido aprobados por la parte responsable podrían anular el permiso del usuario para operar el equipo. Este equipo ha sido probado y encontrado que cumple con los límites para un dispositivo digital Clase A, de acuerdo con la Parte 15 de las Reglas FCC. Estos límites están diseñados para proporcionar una protección razonable contra las interferencias perjudiciales cuando el equipo está operando en un entorno comercial. Este equipo genera, utiliza y puede irradiar energía de radio frecuencia, y si no es instalado y utilizado de acuerdo con el manual de instrucciones, puede causar una interferencia dañina a las radio comunicaciones. La operación de este equipo en un área residencial es probable que produzca interferencia dañina, en cuyo caso el usuario será requerido para corregir la interferencia bajo su propio cargo. Pueden utilizarse las siguientes técnicas para reducir los problemas de interferencia:

1. Desconecte el equipo de su fuente de alimentación para verificar si éste es o no la fuente de la interferencia.
2. Si el equipo está conectado a la misma toma eléctrica que el dispositivo que experimenta la interferencia, conecte el equipo a otra toma eléctrica.
3. Aleje el equipo del dispositivo que está recibiendo la interferencia.
4. Cambie la posición de la antena del dispositivo que recibe la interferencia.
5. Trate combinaciones de las opciones descritas.

Descripción general del producto

AVISO

No utilice la sonda de la serie HL en agua contaminada que pueda dañar los sensores o la carcasa (por ejemplo, con elevadas concentraciones de ácidos, bases o disolventes orgánicos, grasa/aceite, metales tóxicos o aguas radiactivas).

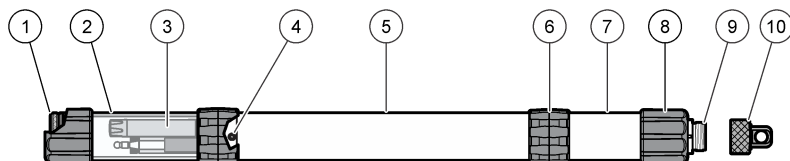
La sonda de la serie HL se emplea para el control sin supervisión o la medición puntual de fuentes de agua naturales (agua dulce y salada). Consulte la [Figura 1](#) y la [Figura 2](#). Los parámetros medidos por la sonda se identifican en esta y en la pantalla de configuración del sensor de Hydrolab Operating Software.

La sonda HL4 cuenta con un sensor de temperatura, cuatro puertos externos para sensores y un sensor interno de profundidad opcional. En los cuatro puertos externos para sensores se pueden colocar cuatro sensores distintos como máximo.

La sonda HL7 cuenta con un sensor de temperatura, siete puertos externos para sensores y un sensor interno de profundidad opcional. Los siete puertos externos para sensores pueden incluir un máximo de siete sensores diferentes o seis sensores diferentes y el cepillo de limpieza central opcional.

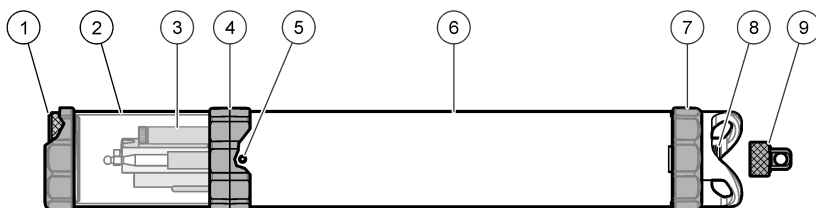
Consulte la pantalla de configuración del sensor de Hydrolab Operating Software para identificar los sensores instalados. Todos los sensores se instalan de fábrica y el usuario no puede sustituirlos sin la autorización del fabricante.

Figura 1 Descripción general del instrumento: sonda HL4



1 Tapa para calibración de la taza de almacenamiento/calibración	6 Tope de goma central (2) ⁶
2 Taza de almacenamiento/calibración ⁴	7 Compartimento de la batería ⁷
3 Sensores en buffer de pH 4 limpio	8 Tope de goma del extremo (2) ⁶
4 Tornillos de seguridad (2) ⁵	9 Conector
5 Carcasa	10 Anclaje

Figura 2 Descripción general del instrumento: sonda HL7



1 Tapa para calibración de la taza de almacenamiento/calibración	6 Carcasa
2 Taza de almacenamiento/calibración	7 Tope de goma del extremo (2) ⁶
3 Sensores en buffer de pH 4 limpio	8 Conector
4 Tope de goma central ⁶	9 Anclaje
5 Tornillo de seguridad (3) ⁵	

Componentes del producto

Asegúrese de haber recibido todos los componentes. Consulte la [Figura 3](#) o la [Figura 4](#). Si faltan artículos o están dañados, póngase en contacto con el fabricante o el representante de ventas inmediatamente.

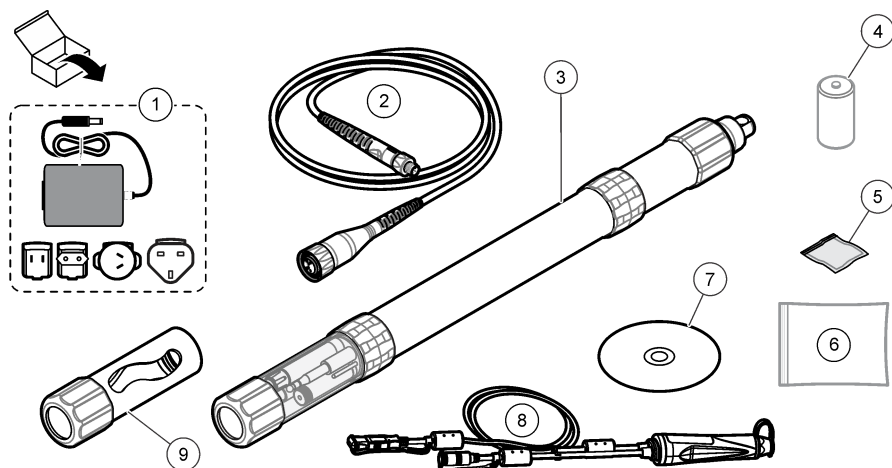
⁴ Se muestra la versión estándar.

⁵ Solo para uso por parte del fabricante

⁶ Retire los topes centrales y los topes del extremo (según sea necesario) si va a utilizar el instrumento en un espacio reducido, como un pocillo.

⁷ Solo unidades con batería interna

Figura 3 Componentes del instrumento: sonda HL4



1 Adaptador de alimentación de CA	6 Kit(s) de mantenimiento del sensor ¹⁰
2 Cable de calibración ⁸	7 DVD de Hydrolab Operating Software
3 Sonda HL4	8 Módulo de comunicaciones USB
4 Batería D alcalina ⁹	9 Protección del sensor con contrapeso ¹¹
5 Paquete de grasa de silicona, 7,08 g (0,25 oz)	

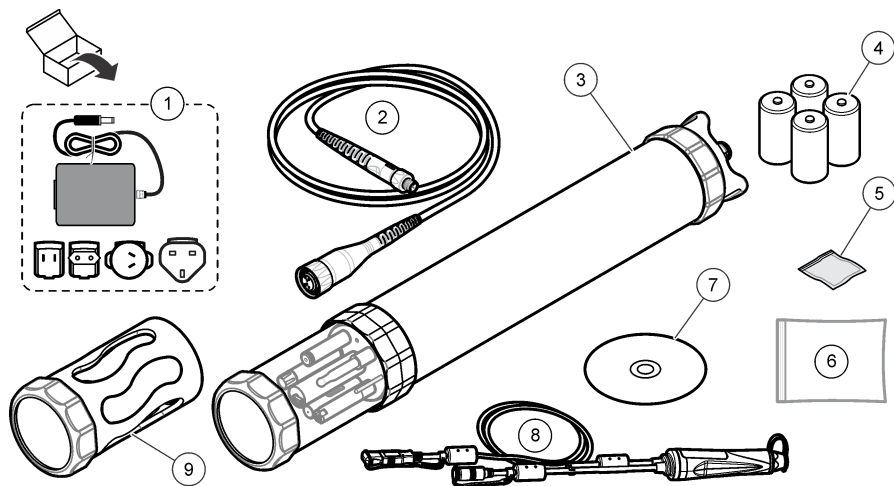
⁸ No se puede utilizar en agua. Se pueden producir daños en el instrumento.

⁹ Se suministra con unidades con batería interna

¹⁰ Se suministran con algunos sensores.

¹¹ Se muestra la versión estándar.

Figura 4 Componentes del instrumento: sonda HL7



1 Adaptador de alimentación de CA	6 Kit(s) de mantenimiento del sensor ¹⁰
2 Cable de calibración ⁸	7 DVD de Hydrolab Operating Software
3 Sonda HL7	8 Módulo de comunicaciones USB
4 Baterías D alcalinas (4)	9 Protección del sensor con contrapeso
5 Paquete de grasa de silicona, 7,08 g (0,25 oz)	

Puesta en marcha

Instalación de la batería: sonda HL4

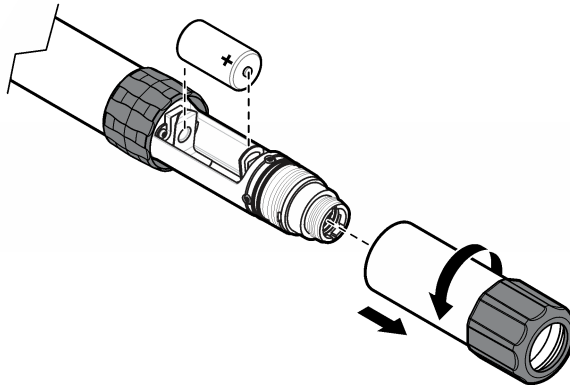
▲ ADVERTENCIA



Peligro de explosión. Si la batería no está colocada correctamente, se puede producir la liberación de gases explosivos. Asegúrese de que la batería es del tipo químico aprobado y está insertada en el sentido correcto.

En el caso de instrumentos con batería interna, instale la batería D suministrada. Consulte la [Figura 5](#).

Figura 5 Instalación de la batería



Instalación de las baterías: sonda HL7

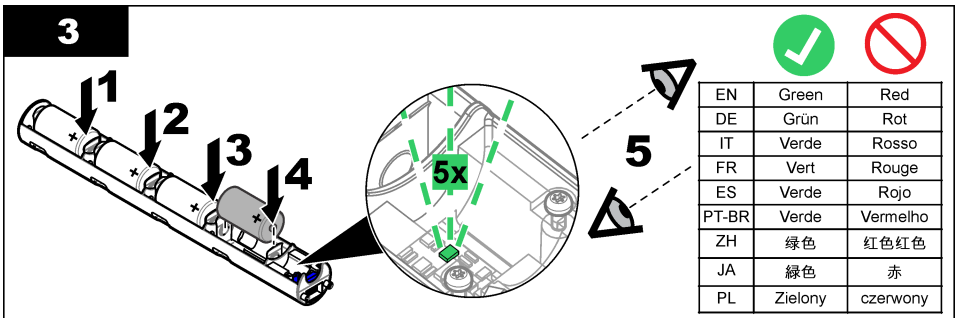
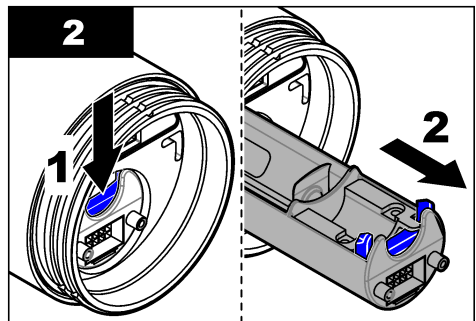
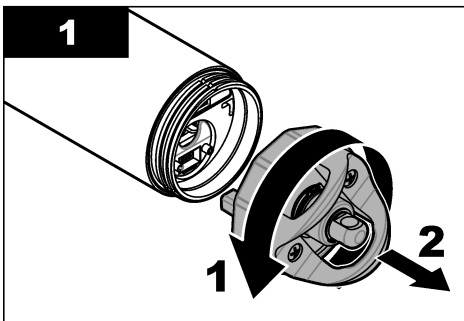
⚠ ADVERTENCIA

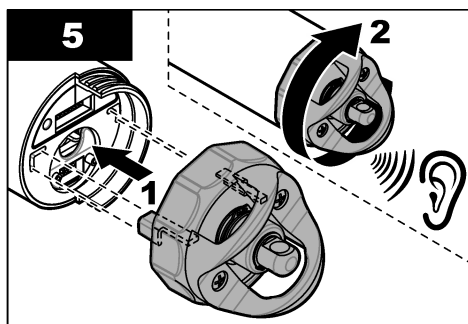
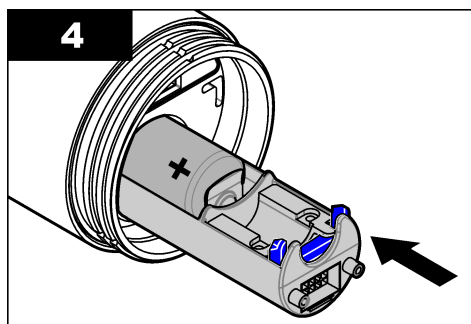


Peligro de explosión. Si la batería no están colocada correctamente, se puede producir la liberación de gases explosivos. Asegúrese de que las pilas son del mismo tipo y material químico aprobado y están insertadas en el sentido correcto. No mezcle baterías nuevas y usadas. No mezcle baterías de diferentes fabricantes. No utilice baterías dañadas.

Instale las cuatro baterías D suministradas. Consulte los pasos ilustrados que se muestran a continuación.

Cuando se haya instalado la última batería, la luz indicadora de batería parpadeará en verde. Si la luz indicadora parpadea en rojo, las baterías no tienen suficiente carga.





Instalación del software

Instale Hydrolab Operating Software en un PC.

Material necesario:

- PC con Windows XP SP3 o posterior
- DVD de Hydrolab Operating Software

1. Introduzca el DVD en el PC. El programa de instalación se ejecuta.
2. Siga los pasos que muestra el software para instalarlo en el PC.

Conexión al PC

Conecte el instrumento al PC.

Material necesario:

- PC con Hydrolab Operating Software
- Cable de calibración o cable de instalación opcional
- Módulo de comunicaciones
- Adaptador de alimentación¹²

1. Conecte el instrumento al PC. Consulte la [Figura 6](#).

Gire la parte inferior del anclaje para extraerlo de la sonda. La parte superior del anclaje no gira cuando este está instalado.

Nota: [Figura 6](#) muestra la sonda HL4. Los pasos son los mismos para la sonda HL7.

Para conectar un adaptador de alimentación o módulo de comunicaciones diferente a los que se muestran, consulte la documentación suministrada con el adaptador de alimentación o el módulo de comunicaciones.

Nota: La conexión para la alimentación externa es opcional en los instrumentos con batería interna. Si se emplea una fuente de alimentación externa, no se utiliza la batería o baterías.

2. Durante la instalación inicial y cada vez que utilice un puerto USB diferente del PC:
 - a. Windows informa de que ha encontrado un dispositivo nuevo y se abre la ventana del asistente. Seleccione **No por el momento** para buscar el software y haga clic en **Siguiente**.
 - b. Seleccione **Instalar automáticamente el software (recomendado)** y haga clic en **Siguiente**. No es necesario ningún DVD.

Windows instala el controlador del software correspondiente al módulo de comunicaciones.

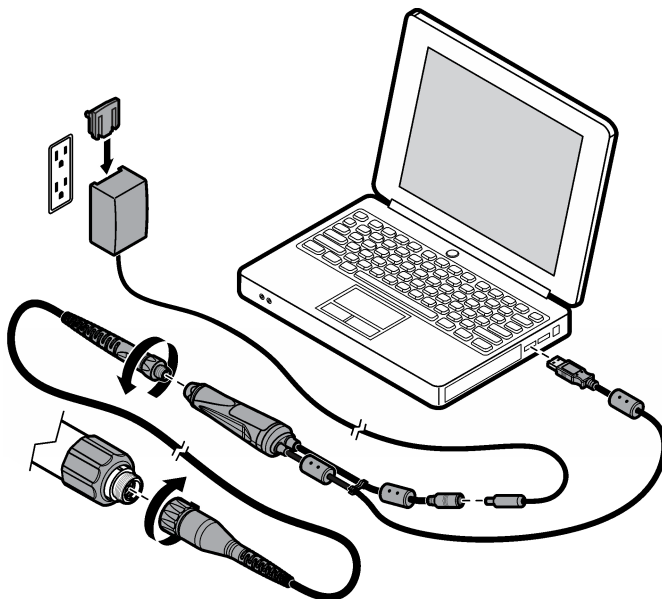
¹² Opcional en el caso de instrumentos con batería interna

3. Inicie Hydrolab Operating Software. El módulo de comunicaciones que está conectado aparece en la sección que indica "Conectar al Dispositivo".

Nota: Si no realiza el paso 2 en la instalación inicial, no se mostrará el instrumento en el campo Conectar al dispositivo.

4. Seleccione el instrumento y haga clic en **Conectar**.

Figura 6 Conexión del instrumento al PC



Operación

Configuración

Consulte el *Manual de Hydrolab Operating Software* para configurar el software, el instrumento y el sensor. Para ver el *Manual de Hydrolab Operating Software*, inicie Hydrolab Operating Software, haga clic en Help (Ayuda) y seleccione Hydrolab Operating Software Help (Ayuda de Hydrolab Operating Software).

Calibración

⚠ PRECAUCIÓN



Peligro por exposición a productos químicos. Respete los procedimientos de seguridad del laboratorio y utilice el equipo de protección personal adecuado para las sustancias químicas que vaya a manipular. Consulte los protocolos de seguridad en las hojas de datos de seguridad actuales (MSDS/SDS).



⚠ PRECAUCIÓN



Peligro por exposición a productos químicos. Deshágase de los productos químicos y los residuos de acuerdo con las normativas locales, regionales y nacionales.

Calibre los sensores antes de usarlos por primera vez, periódicamente y después de realizar modificaciones o tareas de mantenimiento en ellos. Compruebe frecuentemente la calibración para asegurarse de que todas las mediciones siguen dentro del rango de tolerancia.

Consulte el *Manual de Hydrolab Operating Software* para obtener las instrucciones sobre cómo realizar las tareas siguientes:

- Iniciar una calibración del sensor.
- Iniciar una comprobación de la calibración de un sensor.
- Configure el modo de calibración.
- Seleccione las unidades de medición que se muestran durante la calibración y las comprobaciones de calibración.
- Consulte el historial de calibración.

Para ver el *Manual de Hydrolab Operating Software*, inicie Hydrolab Operating Software, haga clic en Help (Ayuda) y seleccione Hydrolab Operating Software Help (Ayuda de Hydrolab Operating Software).

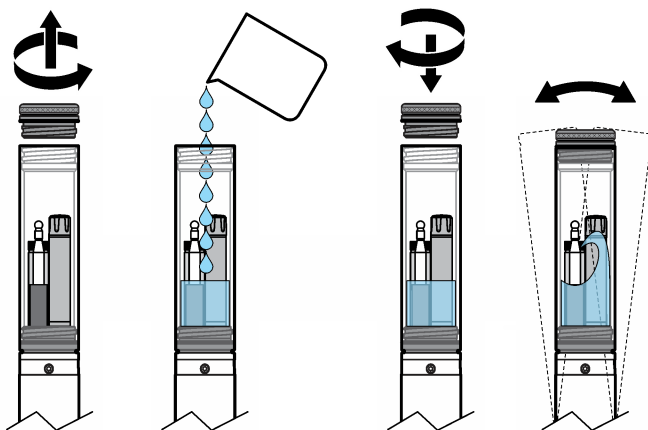
Cuando se inicie una calibración o una comprobación de una calibración, se mostrarán las instrucciones paso a paso del sensor en la pantalla.

Preparación de los sensores para la calibración

Antes de llevar a cabo la calibración, enjuague siempre la taza de almacenamiento/calibración y limpie los sensores para evitar que los estándares de calibración resulten contaminados.

1. Enjuague la taza de almacenamiento/calibración con agua limpia.
2. Limpie los sensores. Consulte la documentación del sensor para obtener instrucciones.
3. Enjuague los sensores con agua desionizada al menos tres veces. Consulte la [Figura 7](#).
Nota: Figura 7 muestra la sonda HL4. Los pasos son los mismos para la sonda HL7.
4. Enjuague los sensores con un estándar de calibración al menos dos veces. Consulte la [Figura 7](#).
Para obtener mejores resultados, deseché el agua desionizada y el estándar de calibración cada vez que enjuague los sensores.

Figura 7 Enjuague de los sensores



Instrucciones de instalación

AVISO

Instale siempre el anclaje o conecte el cable de despliegue al instrumento antes de la instalación para que el conector se mantenga seco. No emplee el cable de calibración para la instalación, ya que el conector se mojará.

AVISO

Instale siempre la protección del sensor antes de proceder a la instalación. En caso contrario, se pueden producir daños en el sensor.

- No cargue el instrumento con más de 68 kg (150 lb) de peso adicional cuando utilice un anclaje.
- No cargue el instrumento con más de 113 kg (250 lb) de peso adicional cuando utilice un cable de despliegue.
- No coloque peso en la protección del sensor. Consulte [Especificaciones](#) en la página 104 para conocer la resistencia a la tracción del anclaje y el cable de despliegue.

Instrucciones relativas al cable

- Lubrique la superficie de sellado del anclaje y el cable de despliegue opcional. Para ello, aplique grasa de silicona con ayuda de un bastoncillo de algodón periódicamente y según sea necesario.
- Mantenga todos los cables no impermeables (todos excepto el cable de despliegue) deben situarse en un lugar limpio, seco y no corrosivo. Si un cable se ensucia o moja, límpielo o séquelo antes de su uso.
- No coloque los cables no impermeables en una bobina con un diámetro inferior a 30,5 cm (12 pulgadas) o podrían producirse daños en el cable.
- No anude los cables ni utilice pinzas para indicar una profundidad.
- No doble el cable de despliegue ni tire del cable sobre poleas con menos de 10 cm (4 pulgadas) de radio, o de 20 cm (8 pulgadas) de diámetro.
- Si los cables son muy largos, utilice un carrete automático o manual con anillos deslizantes eléctricos para subir y bajar el instrumento. Si los cables son más cortos, puede utilizar un carrete más ligero y sin anillos deslizantes.

Instalación para un periodo corto (con supervisión)

AVISO

No coloque el instrumento en una zona en la que pueda sufrir daños o cortes debido a las hélices de embarcaciones u otros objetos en movimiento.

Instalación con un PC

Material necesario:

- PC con Hydrolab Operating Software
 - Protección del sensor
 - Cable de instalación
 - Módulo de comunicaciones USB
 - Adaptador de alimentación¹³
1. Conecte el instrumento al PC. Consulte la [Conexión al PC](#) en la página 111. Asegúrese de que no utiliza el cable de calibración en lugar del de instalación.
 2. Retire la taza de almacenamiento/calibración. Consulte la [Figura 8](#). Conserve la taza de almacenamiento/calibración para usarla más tarde.
Nota: [Figura 8](#) muestra la sonda HL4. Los pasos son los mismos para la sonda HL7.
 3. Instalación de la protección del sensor. Consulte la [Figura 8](#).
No deje que los sensores se sequen.

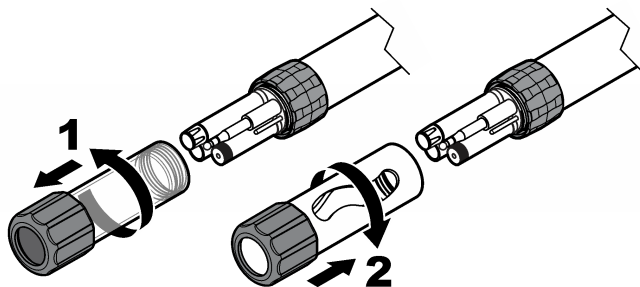
¹³ Opcional en el caso de instrumentos con batería interna

4. Sumerja el instrumento en el agua para realizar la medición. Introduzca el instrumento por completo en el agua para obtener mejores resultados.
5. Haga clic en **Supervisión** para ver las mediciones en tiempo real. Consulte el *Manual de Hydrolab Operating Software* para capturar las mediciones o cambiar la vista.

Nota: Para ver el *Manual de Hydrolab Operating Software*, inicie *Hydrolab Operating Software*, haga clic en *Help (Ayuda)* y seleccione *Hydrolab Operating Software Help (Ayuda de Hydrolab Operating Software)*.

Tras finalizar las mediciones, prepare el instrumento para el traslado. Consulte [Preparación para almacenamiento o traslado](#) en la página 124.

Figura 8 Instalación de la protección del sensor



Uso con una celda de flujo

▲ ADVERTENCIA

Peligro de lesión personal. Asegúrese de que la presión de la muestra es inferior a 103 kPa (15 psig).

Para la monitorización de los procesos o del paso de agua, instale la celda de flujo opcional en la sonda y haga pasar la muestra de agua a través de ella. Consulte la [Figura 9](#).

Asegúrese de que la presión del agua de la celda de flujo no supera los 103 kPa (15 psig), pues de hacerlo, esta podría romperse y provocar lesiones.

Material necesario:

- PC con Hydrolab Operating Software o el controlador de mano Surveyor HL
- Cable de instalación
- Celda de flujo
- Tubos, 1,27 cm (½ pulgada)
- Filtro de agua (opcional)
- Bomba de agua o sifón (opcional)
- Módulo de comunicaciones USB (si se utiliza un PC)
- Adaptador de alimentación¹⁴

1. Para utilizar un PC, conecte el instrumento al PC. Consulte la [Conexión al PC](#) en la página 111. Asegúrese de que no utiliza el cable de calibración en lugar del de instalación.
2. Para utilizar un controlador Surveyor HL, conecte el instrumento a un Surveyor HL. Consulte el *Manual de usuario de Surveyor HL*. Asegúrese de que no utiliza el cable de calibración en lugar del de instalación.
3. Retire la taza de almacenamiento/calibración. Conserve la taza de almacenamiento/calibración para usarla más tarde.
4. Instale la celda de flujo opcional. Consulte la [Figura 9](#). No deje que los sensores se sequen.
5. Conecte dos piezas de tubos de 1,27 cm (½ pulgada) a los puertos de entrada y de salida de la muestra.

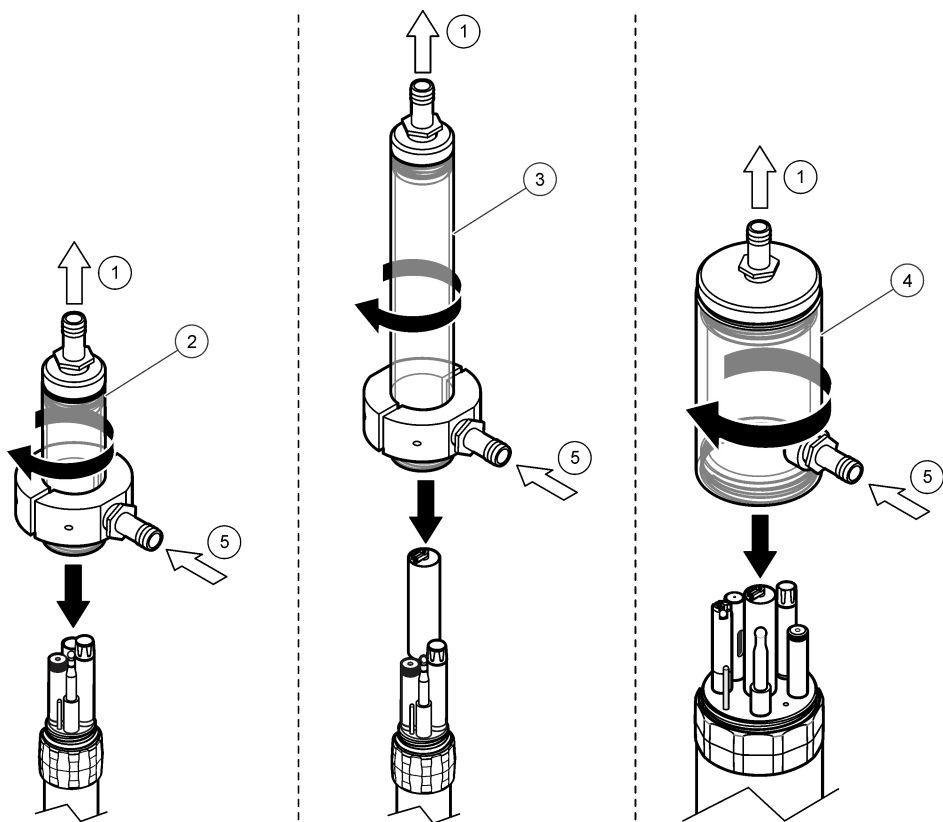
¹⁴ Opcional en el caso de instrumentos con batería interna

6. Conecte el extremo abierto del tubo de salida de la muestra a un drenaje abierto o a un contenedor de recogida.
7. Coloque el extremo abierto del tubo de entrada de muestras en el agua de muestra. Elimine el material no deseado de la muestra de agua mediante un filtro en caso de que sea necesario.
8. Si es posible, invierta la sonda para que las burbujas salgan de los sensores y se eliminen a través del puerto de salida de muestras.
9. Inicie el flujo del agua de muestra hacia la celda de flujo.
10. Haga clic en **Supervisión** para ver las mediciones en tiempo real. Consulte el *Manual de Hydrolab Operating Software* o el *Manual del usuario de Surveyor HL* según corresponda para capturar las mediciones o cambiar la vista.

Nota: Para ver el *Manual de Hydrolab Operating Software*, inicie *Hydrolab Operating Software*, haga clic en *Help (Ayuda)* y seleccione *Hydrolab Operating Software Help (Ayuda de Hydrolab Operating Software)*.

Tras finalizar las mediciones, prepare el instrumento para el traslado. Consulte [Preparación para almacenamiento o traslado](#) en la página 124.

Figura 9 Instalación de una celda de flujo



1 Salida de muestra	4 Celda de flujo para HL7
2 Celda de flujo para HL4	5 Entrada de muestra
3 Celda de flujo para HL4 con sensor ampliado	

Instalación para un periodo largo (sin supervisión)

Instalación con un anclaje

Solamente se pueden instalar con anclaje los instrumentos que cuenten con batería interna.

Material necesario:

- PC con Hydrolab Operating Software
- Protección del sensor
- Anclaje
- Cuerda o alambre
- Cable de calibración
- Módulo de comunicaciones USB
- Adaptador de alimentación¹⁵

1. Cuando trabaje desde la oficina o en el campo, añada un nuevo registro al instrumento.

Las mediciones se guardan en el registro nuevo de acuerdo al intervalo de medición y el rango de fecha seleccionados.

- a. Conecte el instrumento al PC. Consulte [Conexión al PC](#) en la página 111.
- b. Haga clic en **Registro** y añada un registro nuevo. Consulte *Registro* en el apoyo en línea.
- c. Seleccione **Archivo > Desconectar del dispositivo** para desconectar el instrumento del PC.
*Nota: También puede hacer clic en **Dispositivos**, seleccionar el instrumento y hacer clic en **Desconectado**.*
- d. Desconecte el cable de calibración del instrumento.

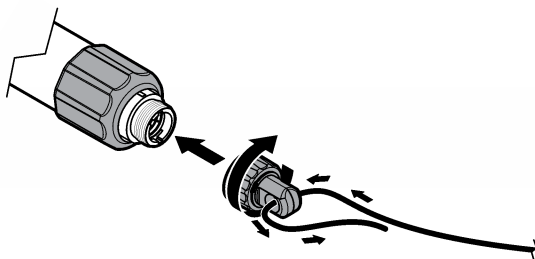
2. Coloque el anclaje en el instrumento. Consulte la [Figura 10](#). Gire la parte inferior del anclaje para colocarlo.

Nota: Figura 10 muestra la sonda HL4. Los pasos son los mismos para la sonda HL7.

- 3.** En el campo, coloque una cuerda o un alambre en el anclaje o en el enganche (solo para la sonda HL7). Consulte la [Figura 10](#).
- 4.** Retire la taza de almacenamiento/calibración. Consulte la [Figura 8](#) en la página 115. Conserve la taza de almacenamiento/calibración para usarla más tarde.
- 5.** Instalación de la protección del sensor. Consulte la [Figura 8](#) en la página 115.
No deje que los sensores se sequen.
- 6.** Sumerja el instrumento en el agua para realizar la medición. Introduzca el instrumento por completo en el agua para obtener mejores resultados.
- 7.** Sujete el instrumento a una boya, un anclaje o una estructura. Consulte [Sujeción a una boya, un anclaje o una estructura](#) en la página 119.

Tras finalizar la instalación, prepare el instrumento para el traslado. Consulte [Preparación para almacenamiento o traslado](#) en la página 124.

Figura 10 Instalación del anclaje



¹⁵ Opcional en el caso de instrumentos con batería interna

Instalación con un sistema de adquisición de datos o un controlador

Para recopilar desde el instrumento y de forma remota mediciones en tiempo real, conecte el instrumento a un sistema de adquisición de datos (es decir, registrador o módem) o controlador con un módulo de comunicaciones adecuado.

El instrumento se mantiene en el modo de bajo consumo (inactivo) hasta que reciba un comando del dispositivo externo que le solicite que se active, realice una medición y transmita los parámetros medidos al dispositivo externo. Consulte el apoyo en línea para obtener información sobre los comandos SDI-12 y TTY compatibles con el instrumento.

Configuración del módulo de comunicaciones

Material necesario:

- PC con software de Hydrolab
- Módulo de comunicaciones

1. Independientemente de si trabaja desde la oficina o en el campo, debe conectar el módulo de comunicaciones correspondiente al puerto USB del PC.
2. Inicie el software de Hydrolab. El instrumento que está conectado aparece en la sección que indica Conectar al dispositivo.
3. Seleccione el módulo de comunicaciones y haga clic en **Conectar**. Aparecen las ventanas de configuración del módulo de comunicaciones.
4. Configure el módulo de comunicaciones. Consulte *Configuración* en el apoyo en línea.
5. Tras finalizar la configuración, desconecte el cable de comunicaciones del PC.

- a. Seleccione **Archivo > Desconectar del dispositivo** para desconectar el cable de comunicaciones del PC.

*Nota: También puede hacer clic en **Dispositivos**, seleccionar el cable de comunicaciones y hacer clic en **Desconectado**.*

- b. Desconecte el cable de comunicaciones del PC.

Conexión del módulo de comunicaciones

Material necesario:

- Sistema de adquisición de datos o controlador
- Módulo de comunicaciones (configurado)
- Fuente de alimentación externa, 6-24 VCC (12 VCC nominal)¹⁶

1. Cuando trabaje en el campo, conecte el módulo de comunicaciones al sistema de adquisición de datos o al controlador. Consulte la documentación suministrada con el módulo de comunicaciones para obtener información sobre el cableado. Consulte [Transmisión de datos y cableado de alimentación](#) en la página 118 para conocer los requisitos del cableado en la transmisión de datos.
2. Si el sistema de adquisición de datos o el controlador no pueden suministrar alimentación al módulo de comunicaciones, conecte al módulo de comunicaciones una fuente de alimentación externa. Consulte [Transmisión de datos y cableado de alimentación](#) en la página 118 para conocer los requisitos del cableado en caso de que se emplea una fuente de alimentación externa.

Transmisión de datos y cableado de alimentación

Para enchufar cables de transmisión de datos al módulo de comunicaciones, asegúrese de que el cable de transmisión es el adecuado para la corriente de operación y de que transmitirá los datos sin distorsión alguna. Para cables de hasta 305 m (1000 pies), basta con 3 cables de 26 AWG.

¹⁶ Opcional en el caso de instrumentos con batería interna. No se utiliza siempre que el sistema de adquisición de datos o el controlador puedan suministrar alimentación al módulo de comunicaciones.

Para conectar una fuente de alimentación externa al módulo de comunicaciones, debe utilizar dos cables de 18 AWG. Puede utilizar cables más pequeños si la fuente de alimentación está cerca del instrumento.

Instalación del instrumento

Material necesario:

- Cable de despliegue
 - Protección del sensor
1. Conecte el cable de despliegue al módulo de comunicaciones. Asegúrese de que no utiliza el cable de calibración en lugar del de instalación.
 2. Conecte el cable de despliegue al instrumento.
 3. Retire la taza de almacenamiento/calibración e instale la protección del sensor. Conserve la taza de almacenamiento/calibración para usarla más tarde. Consulte la [Figura 8](#) en la página 115. No deje que los sensores se sequen.
 4. Sumerja el instrumento en el agua para realizar la medición. Introduzca el instrumento por completo en el agua para obtener mejores resultados. No sumerja el módulo de comunicaciones en agua.
 5. Fije el instrumento y el cableado a una estructura. Consulte [Sujeción a una boya, un anclaje o una estructura](#) en la página 119.

Tras finalizar la instalación, prepare el instrumento para el traslado. Consulte [Preparación para almacenamiento o traslado](#) en la página 124.

Sujeción a una boya, un anclaje o una estructura

AVISO

No utilice abrazaderas para sujetar el instrumento, ya que se pueden producir daños en este.

En caso de que el control se lleve a cabo sin supervisión, fije el instrumento a una boya, un anclaje o una estructura.

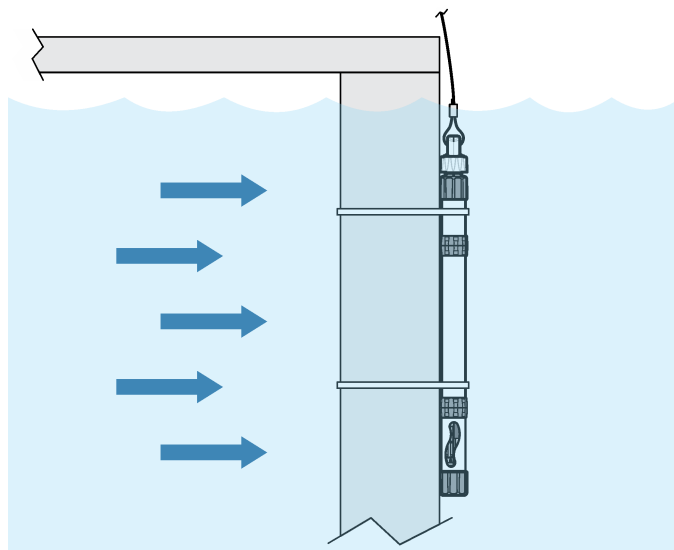
Instale el instrumento en un lugar:

- Donde el instrumento no sufra ningún daño como consecuencia del vandalismo o la navegación ni originado por material flotante, arena, gravilla o limo.
- Donde el instrumento no entre en contacto con lodo, por ejemplo, cuando el agua comienza a bajar.
- Donde no se forme hielo alrededor del instrumento ni los sensores.

Para sujetar el instrumento a:

- Una boya: utilice una boya de señalización que no incite al vandalismo.
- Estructura: fije el instrumento al lado de salida de un poste para evitar daños ocasionados por material flotante. Consulte la [Figura 11](#). Coloque cuidadosamente sujeciones, como correas de malla y bridas grandes de plástico, en ambos extremos de la carcasa del instrumento. Coloque el cable de despliegue del mismo modo (en caso de que lo utilice) para evitar daños en el cable como consecuencia del vandalismo o la navegación u originados por material flotante. Para evitar actos vandálicos, instale el cable e instrumento de forma que sea difícil verlos.

Figura 11 Sujeción del instrumento a una estructura



Mantenimiento

⚠ PRECAUCIÓN



Peligros diversos. Sólo el personal cualificado debe realizar las tareas descritas en esta sección del documento.

⚠ PRECAUCIÓN



Peligro de lesión personal. Debido a la acumulación de presión dentro del instrumento, es posible que las piezas extraíbles se desprendan con fuerza al retirarlas. Suelte y retire las piezas lentamente. Aleje las piezas de las personas y utilice un equipo de protección adecuado durante las tareas de mantenimiento o servicio.

AVISO

No desmonte el instrumento para las tareas de mantenimiento sin la autorización del fabricante. Si es necesario limpiar o reparar los componentes internos, póngase en contacto con el fabricante.

AVISO

El instrumento debe situarse en un lugar en el que los sensores no se congelen ni se puedan producir daños en ellos.

Limpieza de la carcasa y la protección del sensor

AVISO

Para evitar daños en determinados sensores y el instrumento, no limpie la carcasa ni la protección del sensor con disolventes que puedan disolver plástico.

Examine frecuentemente la carcasa del instrumento y la protección del sensor. Limpie la carcasa y la protección del sensor, según sea necesario, para eliminar los residuos y el material no deseado.

1. Retire la protección del sensor del instrumento.
2. Vierta al menos 2,5 cm (1 pulgada) de buffer de pH 4 o agua limpia en la taza de almacenamiento/calibración.

3. Instale la taza de almacenamiento/calibración en el instrumento.
4. Limpie la carcasa y la protección del sensor con:
 - Detergente suave
 - Solución desengrasante atóxica, como Simple Green® (marca comercial registrada de Sunshine Makers, Inc.)
 - Agua caliente
 - Cepillo de dientes suave limpio
 - Paño suave o bastoncillos de algodón

Si es necesario, sumerja la carcasa o la protección del sensor en agua durante 30 minutos como mínimo para ablandar las sustancias contaminantes y facilitar la limpieza.

5. Enjuague el alojamiento y la protección del sensor con agua limpia.

Limpieza de los sensores

Examine con frecuencia los sensores para comprobar si presentan daños, residuos (inorgánicos y biológicos) o material no deseado. Limpie los sensores si detecta material no deseado. Asimismo, limpie los sensores si disminuye su rendimiento. Consulte la documentación del sensor para conocer las instrucciones de limpieza.

Sustituya las piezas dañadas. Sustituya las piezas en las que se aprecien residuos (sedimentos o sustancias biológicas) que afecten al rendimiento y que no se puedan eliminar. Consulte la documentación del sensor para conocer las instrucciones de mantenimiento.

Sustitución de la batería o baterías

⚠ ADVERTENCIA



Peligro de explosión. Una batería caducada puede provocar la acumulación de gas hidrógeno en el interior del instrumento. Sustituya la batería antes de que caduque. No guarde el instrumento durante largos periodos de tiempo con la batería instalada. Deshágase de las baterías de acuerdo con las normativas locales, regionales y nacionales.

Para las sondas HL4 con batería interna, sustituya la batería D alcalina cuando el nivel de carga sea bajo. Consulte la [Figura 5](#) en la página 110.

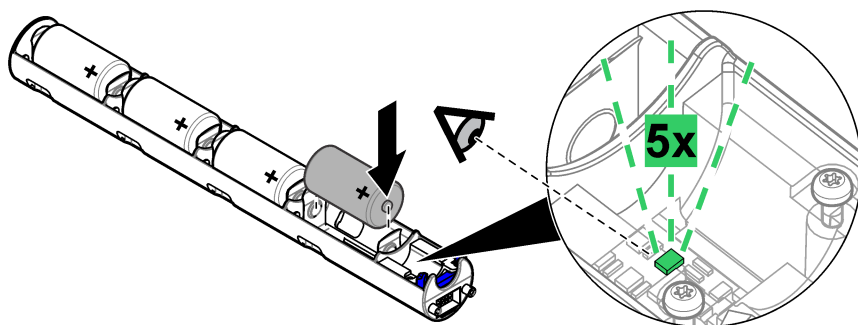
Para las sondas HL7, sustituya las cuatro baterías D alcalinas cuando el nivel de carga sea bajo. Consulte la [Instalación de las baterías: sonda HL7](#) en la página 110. Asegúrese de que la luz indicadora de batería parpadea en verde cuando se haya instalado la última batería. Consulte la [Figura 12](#). Si la luz indicadora parpadea en rojo, las baterías no tienen suficiente carga.

Nota: El nivel de carga de la batería se muestra en la parte superior de la ventana de Hydrolab Operating Software.

Asegúrese de que la sonda esté en posición horizontal cuando abra el compartimento de la batería para evitar que el agua de la cubierta entre en este. Si entra agua en el compartimento de la batería, retire la batería, extraiga el agua y utilice una toalla para secar completamente el compartimento. Deje que la batería se seque al aire libre antes de utilizarla para evitar así la corrosión.

Nota: No puede sustituir la batería interna del reloj sin la autorización del fabricante.

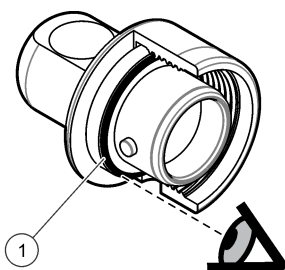
Figura 12 Luz indicadora de batería



Comprobación de las juntas tóricas y la junta de estanquidad

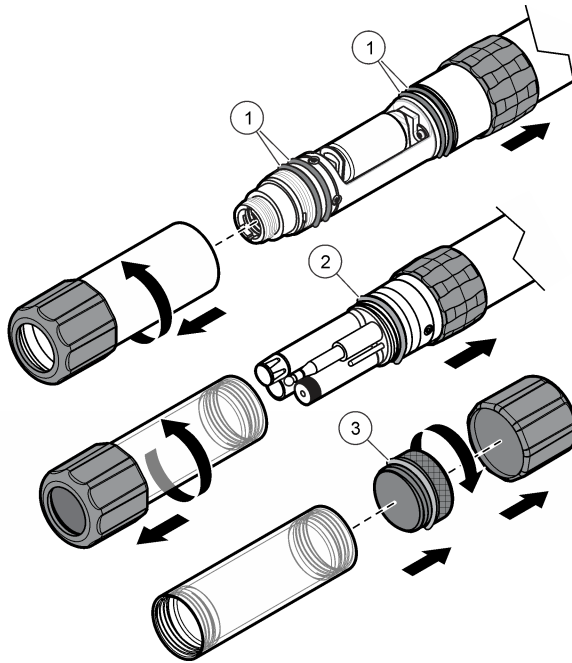
1. Compruebe frecuentemente las juntas tóricas y la junta de estanquidad del anclaje para determinar si existen daños o material no deseado o si están desgastadas. Consulte las figuras de la [Figura 13](#) a la [Figura 15](#).
2. Elimine el material no deseado de las juntas tóricas y el anclaje.
3. Sustituya las juntas tóricas que presenten signos de daños o desgaste (por ejemplo, que estén agrietadas o a las que les falten piezas). Sustitúyalas por juntas tóricas del fabricante.
4. Aplique grasa de silicona a las juntas tóricas para evitar que se adhieran unas a otras y se desplacen de su posición.
5. Si la junta de estanquidad del anclaje presenta daños o está desgastada, sustituya el anclaje.

Figura 13 Ubicación de la junta de estanquidad



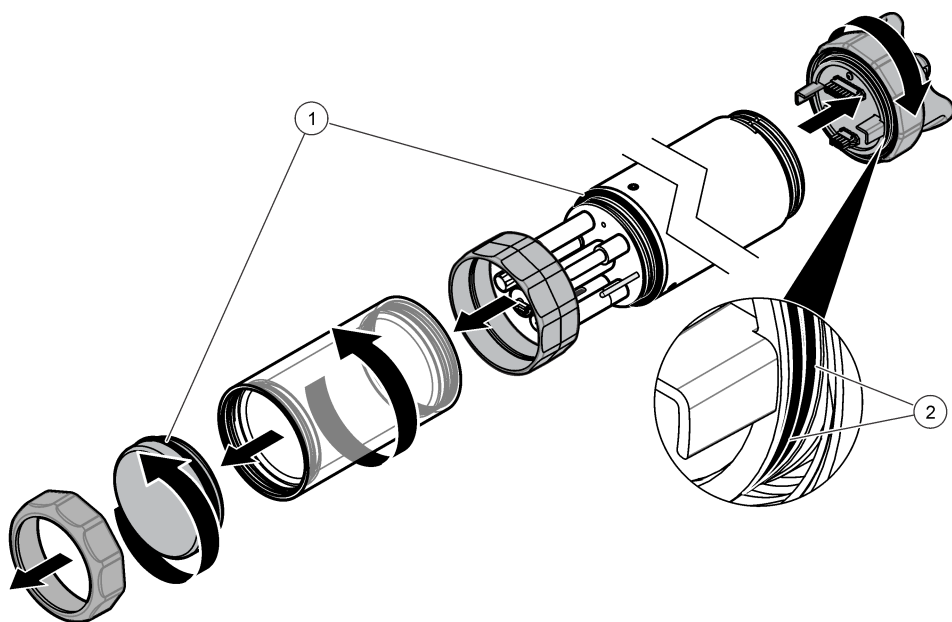
1 Junta de estanquidad del anclaje

Figura 14 Ubicaciones de la junta tórica: sonda HL4



1 Juntas tóricas del compartimento de la batería (4)	3 Junta tórica de la taza de calibración
2 Junta tórica de la taza de almacenamiento/calibración	

Figura 15 Ubicaciones de la junta tórica: sonda HL7



1 Juntas tóricas de la taza de almacenamiento/calibración (2)

2 Juntas tóricas del compartimento de la batería (2)

Preparación para almacenamiento o traslado

AVISO

El instrumento debe situarse en un lugar en el que la taza de almacenamiento/calibración no se congele ni se puedan producir daños en el sensor.

AVISO

Los sensores no deben mantenerse sumergidos en agua desionizada o en soluciones de limpieza. De lo contrario, pueden sufrir daños.

AVISO

Ni el sensor de turbidez ni el fluorímetro deben mantenerse sumergidos en un buffer de pH de color. De lo contrario, el sensor puede sufrir daños.

AVISO

Los sensores no deben mantenerse sumergidos en agua de la muestra obtenida durante mucho tiempo, ya que se puede producir crecimiento biológico y, como resultados, los sensores se contaminarán.

1. Enjuague el instrumento y los sensores con agua corriente y limpia.
2. Retire la protección del sensor e instale la taza de almacenamiento/calibración. Vierta al menos 2,5 cm (1 pulgada) de buffer de pH 4 incoloro o agua corriente y limpia en la taza de almacenamiento/calibración. Consulte la [Figura 16](#).

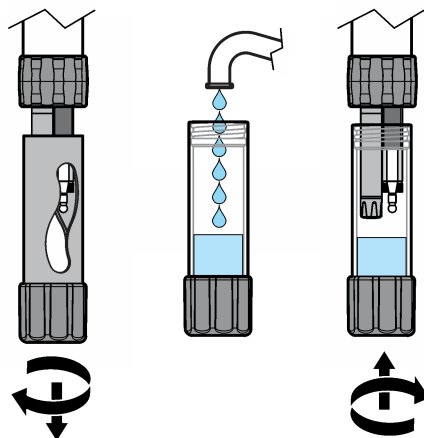
Nota: *Figura 16 muestra la sonda HL4. Los pasos son los mismos para la sonda HL7.*

Nota: *No es necesario sumergir los sensores en buffer de pH ni agua.*

Nota: *El sensor de gas disuelto total no debe estar húmedo, ya que la membrana del sensor podría resultar dañada.*

3. Asegúrese de que el tope del extremo está colocado en la taza de almacenamiento/calibración.
4. Instale el anclaje en el conector para que el conector esté limpio y seco.
5. Coloque todos los cables no impermeables (todos excepto el cable de instalación) en un recipiente seco. No coloque los cables en una bobina con un diámetro inferior a 30,5 cm (12 pulgadas) o podrían producirse daños en el cable.
6. Limpie los sensores antes de guardarlos. Consulte la documentación del sensor.
7. Para el almacenamiento a largo plazo, retire la batería o baterías D internas. Consulte la [Figura 5](#) en la página 110 o la [Instalación de las baterías: sonda HL7](#) en la página 110. No es necesario realizar ninguna otra acción para guardar el sensor durante un largo periodo.

Figura 16 Preparación para almacenamiento o traslado



Preparación para el uso tras el almacenamiento a largo plazo

Si el instrumento ha estado guardado durante más de 1 mes:

1. Sustituya el electrolito de los sensores, si procede.
2. Calibre los sensores. Consulte [Calibración](#) en la página 112.

Rehidratación de los sensores

Si los sensores se secan, sumérgalos en agua antes de utilizarlos.

Nota: El sensor de gas disuelto total no debe estar húmedo, ya que la membrana del sensor podría resultar dañada.

Solución de problemas

Consulte el *Manual de Hydrolab Operating Software* para obtener información sobre solución de problemas. Para ver el *Manual de Hydrolab Operating Software*, inicie Hydrolab Operating Software, haga clic en Help (Ayuda) y seleccione Hydrolab Operating Software Help (Ayuda de Hydrolab Operating Software).

Piezas de repuesto y accesorios

⚠ ADVERTENCIA



Peligro de lesión personal. El uso de piezas no aprobadas puede causar lesiones personales, daños al instrumento o un mal funcionamiento del equipo. Las piezas de repuesto que aparecen en esta sección están aprobadas por el fabricante.

Nota: Los números de producto y artículo pueden variar para algunas regiones de venta. Comuníquese con el distribuidor correspondiente o visite el sitio Web de la compañía para obtener la información de contacto.

Piezas de repuesto: sonda HL4

Descripción	Referencia
Cubierta de la carcasa de la batería, sonda HL4	9047300
Cubierta de los bornes de la batería, sonda HL4	9032000
Tope, goma, extremo, sonda HL4	9383100
Tope, goma, central, sonda HL4	9383200
Tapa, taza de almacenamiento/calibración, sonda HL4	9040900
Junta tórica, compartimento de la batería, sonda HL4 ¹⁷	9048400
Junta tórica, taza de almacenamiento/calibración y tapa, sonda HL4	002811
Kit de mantenimiento, sensor de turbidez con plumillas, sonda HL4	9480800
Protección del sensor, estándar, sonda HL4	9383700
Protección del sensor, estándar con contrapeso, sonda HL4	9044100
Protección del sensor, avanzada, sonda HL4	9383800
Protección del sensor, avanzada con contrapeso, sonda HL4	8734500
Contrapeso de la protección del sensor, sonda HL4	9383900
Caja de transporte, sonda HL4	9309100
Taza de almacenamiento/calibración, estándar, sonda HL4	003306
Taza de almacenamiento/calibración, avanzada, sonda HL4	003395HY

Piezas de repuesto: sonda HL7

Descripción	Referencia
Batería	HL7 BATT PACK
Tapa, taza de almacenamiento/calibración, sonda HL7	003609HY
Junta tórica, taza de almacenamiento/calibración y tapa, sonda HL7	000568
Protección del sensor con contrapeso, sonda HL7	8457100
Caja de transporte, sonda HL7	8490400
Taza de almacenamiento/calibración, sonda HL7	003608
Kit de mantenimiento, sensor de turbidez con cepillo de limpieza central y plumillas, sonda HL7	9480900

¹⁷ Se necesitan cuatro para la sonda HL4.

Piezas de repuesto: sondas HL4 y HL7

Descripción	Referencia
Cable de calibración	9310600
Tapa antipolvo, conector USB A	9046200
Tapa antipolvo, conector de 5 patillas	9046100
Tapa antipolvo, conector de alimentación de CC	9046000
Módulo de comunicaciones, USB	6748600
Hydrolab Operating Software, DVD	9512900
Kit de mantenimiento, electrodo de referencia estándar, incluye: Junta tórica (000467HY), comprimidos de sal (005376HY), unión de PTFE (000548HY) y solución de electrolito (005308HY)	014660HY
Kit de mantenimiento, kit de sustitución de tapa, sensor de LDO	007460
Kit de mantenimiento, sensor de pH con electrodo de referencia integrado, incluye: Junta tórica (003396HY), jeringa, destornillador de 0,635 cm (¼ de pulgada), comprimidos de sal (005376HY), unión de PTFE (002770HY) y solución de electrolito (005308HY)	013410HY
Anclaje	9310500
Adaptador de alimentación, CA	002782
Paquete de grasa de silicona, 7,08 g (0,25 oz)	000298HY

Accesorios

Descripción	Referencia
Módulo de comunicaciones, USB	6748600
Módulo de comunicaciones, SDI-12	9039600
Módulo de comunicaciones, RS485 Modbus	9039700
Módulo de comunicaciones, RS232 Modbus	9039800
Módulo de comunicaciones, RS232 TTY	9312900
Kit de tapa antipolvo, módulos de comunicación, incluye:	8808200
Tapa antipolvo, conector de alimentación de CC	9046000
Tapa antipolvo, conector de 5 patillas	9046100
Tapa antipolvo, conector USB A	9046200
Tapa antipolvo, conector DB9	9045900
Cable de instalación, 5 m	CZ005
Cable de instalación, 10 m	CZ010
Cable de instalación, 15 m	CZ015
Cable de instalación, 25 m	CZ025
Cable de instalación, 30 m	CZ030
Cable de instalación, 50 m	CZ050
Cable de instalación, 75 m	CZ075
Cable de instalación, 100 m	CZ100

Accesorios (continúa)

Descripción	Referencia
Cable de instalación, 150 m	CZ150
Cable de instalación, 200 m	CZ200
Tapa para cable de instalación, extremo mojado	9714500
Celda de flujo, HL4	014880
Celda de flujo, HL4 con sensor ampliado	013520HY
Celda de flujo, HL7	014120

Índice

Especificações na página 129

Informações gerais na página 130

Como iniciar na página 135

Operação na página 138

Manutenção na página 146

Solução de problemas na página 151

Peças e acessórios de reposição na página 151

Especificações

As especificações estão sujeitas a alterações sem aviso prévio.

Especificação	Detalhes
Dimensões	HL4: Ø 4,44 cm (1,75 pol.) sem amortecedores de borracha; Ø 5,33 cm (2,1 pol.) com amortecedores de borracha. Comprimento - 51,43 cm (20,25 pol.) sem pacote de pilha interna e proteção de sensor padrão; 66,36 cm (26,125 pol.) sem pacote de pilha interna e proteção de sensor estendida; 62,23 cm (24,5 pol.) com pacote de pilha interna e proteção de sensor padrão; 77,787 cm (30,625 pol.) com pacote de pilha interna e proteção de sensor estendida HL7: Ø 8,9 cm (3,5 pol.) sem amortecedores de borracha; Ø 9,6 cm (3,78 pol.) com amortecedores de borracha. Comprimento - 66,4 cm (26,1 pol.)
Peso	HL4: 2,2 kg (5 lb) com pacote de bateria interna, uma bateria D-cell e copo de armazenamento/calibração sem líquido HL7: 4,5 kg (10 lb) com quatro baterias D-cell, copo de armazenamento/calibração sem líquido
Alimentação elétrica	HL4: 6 - 24 VCC (potência nominal de 12 VCC) aplicada ao módulo de comunicações, 12 VCC: média de 250 mW, pico de 18 W HL7: 6 - 24 VCC (potência nominal de 12 VCC) aplicada ao módulo de comunicações, 12 VCC: média de 2,0 W, pico de 24 W
Compartimento de bateria interno ¹	HL4: uma bateria alcalina interna D-cell, não recarregável. Cerca de 75 dias de uso com um intervalo de registro de 15 minutos e tempo de inicialização padrão com sensores de profundidade, temperatura, condutividade, pH e LDO instalados e em temperatura ambiente. HL7: quatro baterias alcalinas internas D-cell, não recarregáveis. Cerca de 90 dias de uso com um intervalo de registro de 15 minutos e tempo de inicialização padrão com sensores de temperatura, condutividade, pH, LDO, clorofila, algas verde-azuladas (água doce) e turbidez instalados, uma escova de limpeza central configurada para uma volta e sensores em temperatura ambiente.
Temperatura de operação ²	-5 a 50 °C (23 a 122 °F), sem congelamento
Temperatura de armazenamento	1 a 50 °C (34 a 122 °F)
Profundidade	Máximo de 200 m (656 pés) Observação: Alguns sensores não podem ser usados a 200 m (656 pés). Consulte a documentação do sensor para obter as especificações de profundidade do sensor.
Força tensora (máxima)	Tampa de amarração: 68 kg (150 lb); cabo de comunicação: 227 kg (500 lb)

¹ Opcional para a HL4

² A operação fora desse intervalo de temperaturas pode causar dano mecânico ou desempenho eletrônico defeituoso.

Especificação	Detalhes
Sensores	HL4: sensor de temperatura, quatro portas de sensores externos e sensor de profundidade interno opcional HL7: sensor de temperatura, sete portas de sensores externos e sensor de profundidade interno opcional Consulte a documentação do sensor para obter as especificações de sensor.
Comunicações	Módulo de comunicações: USB, SDI-12, RS232 Modbus, RS485 Modbus e RS232 TTY
Registro	4 GB de memória interna ³ ; intervalo mínimo de 1 minuto
Certificação	Marcado com o selo CE. Outras certificações estão sujeitas a alterações. Entre em contato com o fabricante.

Informações gerais

Em hipótese alguma o fabricante será responsável por danos diretos, indiretos, especiais, incidentais ou consequenciais resultantes de qualquer defeito ou omissão neste manual. O fabricante reserva-se o direito de fazer alterações neste manual e nos produtos aqui descritos a qualquer momento, sem aviso ou obrigação. As edições revisadas podem ser encontradas no site do fabricante.

Informações de segurança

AVISO

O fabricante não é responsável por quaisquer danos devido ao uso ou aplicação incorreta deste produto, incluindo, sem limitação, danos diretos, acidentais ou consequenciais, e se isenta desses danos à extensão total permitida pela lei aplicável. O usuário é unicamente responsável por identificar riscos críticos de aplicação e por instalar os mecanismos apropriados para proteger os processos durante um possível mau funcionamento do equipamento.

Leia todo o manual antes de tirar da embalagem, montar ou operar esse equipamento. Preste atenção a todas as declarações de perigo e cuidado. Caso contrário, o operador poderá sofrer ferimentos graves ou o equipamento poderá ser danificado.

Certifique-se de que a proteção oferecida por este equipamento não seja afetada. Não use nem instale este equipamento de nenhuma outra forma além da especificada neste manual.

Uso de informações de risco

▲ PERIGO

Indica uma situação potencial ou iminente perigosa que, se não for evitada, resultará em morte ou lesão grave.

▲ ADVERTÊNCIA

Indica uma situação potencialmente perigosa que, se não for evitada, pode resultar em morte ou ferimento grave.

▲ CUIDADO

Indica uma situação potencialmente perigosa que pode resultar em ferimento leve a moderado.



AVISO

Indica uma situação que, se não evitada, pode causar danos ao instrumento. Informações que necessitam de uma ênfase especial.

³ Memória suficiente para cinco anos de medições contínuas com um intervalo de registro de 15 minutos

Avisos de precaução

Leia todas as etiquetas e rótulos fixados no instrumento. Caso não sejam observadas, podem ocorrer lesões pessoais ou danos ao instrumento. Um símbolo no instrumento tem sua referência no manual com uma medida preventiva.

	Este símbolo, se observado no instrumento, diz respeito ao manual de instruções para operação e/ou informações de segurança.
	O equipamento elétrico marcado com este símbolo não pode ser descartado em sistemas de descarte público ou doméstico europeus. Devolva equipamentos antigos ou no final da vida útil para o fabricante para descarte, sem custo adicional para o usuário.

Certificação

Canadian Radio Interference-Causing Equipment Regulation (Regulamentação para equipamentos de rádio causadores de interferência do Canadá), IECS-003, Classe A:

Os registros de testes de comprovação encontram-se com o fabricante.

Este aparelho digital Classe A atende a todos os requisitos de regulamentações canadenses sobre equipamentos que causam interferências.

Cet appareil numérique de classe A répond à toutes les exigences de la réglementation canadienne sur les équipements provoquant des interférences.

FCC parte 15, limites Classe "A"

Os registros de testes de comprovação encontram-se com o fabricante. O dispositivo está em conformidade com a Parte 15 das Regras da FCC. A operação está sujeita às seguintes condições:

1. O equipamento não deve causar interferência prejudicial.
2. O equipamento deve aceitar todas as interferências recebidas, inclusive interferências que podem causar funcionamento indesejado.

Alterações ou modificações a este equipamento não aprovadas expressamente pela parte responsável pela conformidade podem anular a autoridade do usuário de operar o equipamento. Este equipamento foi testado e está em conformidade com os limites de dispositivo digital Classe A, de acordo com a Parte 15 das Regras da FCC. Esses limites foram estabelecidos para proporcionar uma razoável proteção contra interferências nocivas quando o equipamento for operado em ambientes comerciais. Este equipamento gera, utiliza e pode irradiar energia de rádiofrequência e, se não instalado e usado de acordo com o manual de instruções, pode causar interferências prejudiciais às comunicações de rádio. É provável que o funcionamento deste equipamento em área residencial possa causar interferência indesejada, caso em que o usuário será solicitado a corrigir a interferência por conta própria. As seguintes técnicas podem ser usadas para reduzir problemas de interferência:

1. Desconecte o equipamento de sua fonte de alimentação para verificar se ele é ou não a origem da interferência.
2. Se o equipamento está conectado à mesma tomada do dispositivo que está sofrendo interferência, conecte o equipamento a uma tomada diferente.
3. Afaste o equipamento do dispositivo que estiver recebendo a interferência.
4. Reposicione a antena de recebimento do dispositivo que está sofrendo interferência.
5. Tente algumas combinações das opções acima.

Visão geral do produto

AVISO

Não use a sonda da série HL em água contaminada, pois isso causará danos aos sensores ou ao compartimento (por exemplo, ácidos extremos ou bases, altas concentrações de solventes orgânicos, óleo/graxa, metais tóxicos ou águas radioativas).

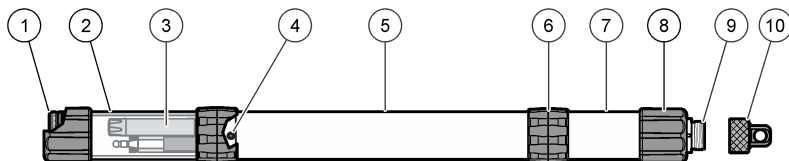
A sonda da série HL é usada para medição pontual ou monitoramento autônomo de fontes de água no meio ambiente (água doce e água salgada). Consulte a [Figura 1](#) e a [Figura 2](#). Os parâmetros medidos pela sonda são identificados na sonda e na tela de configurações do sensor do Hydrolab Operating Software.

A sonda HL4 tem um sensor de temperatura, quatro portas de sensores externos e um sensor de profundidade interno opcional. As quatro portas de sensores externos podem incluir no máximo quatro sensores diferentes.

A sonda HL7 tem um sensor de temperatura, sete portas de sensores externos e um sensor de profundidade interno opcional. As sete portas de sensores externos podem incluir um máximo de sete sensores diferentes ou seis sensores diferentes e a escova de limpeza central opcional.

Consulte a tela de configurações do sensor do Hydrolab Operating Software para identificar os sensores instalados. Todos os sensores são instalados na fábrica e não podem ser trocados pelo usuário sem autorização do fabricante.

Figura 1 Visão geral do instrumento - Sonda HL4



1 Tampa de calibração do copo de armazenamento/calibração	6 Amortecedor de borracha do meio (2x) ⁶
2 Copo de armazenamento/calibração ⁴	7 Compartimento da pilha ⁷
3 Sensores em solução tampão de pH 4 limpa	8 Amortecedor de borracha da extremidade (2x) ⁶
4 Parafuso de travamento (2x) ⁵	9 Conector
5 Invólucro	10 Tampa de amarração

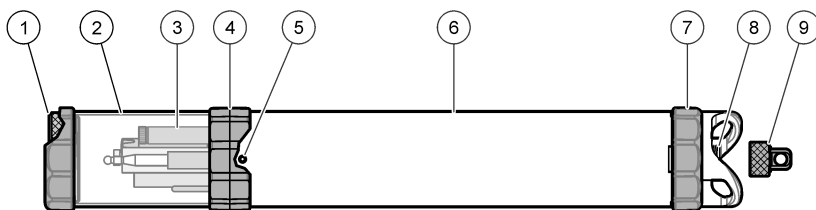
⁴ A versão padrão é exibida.

⁵ Para uso somente do fabricante

⁶ Conforme necessário, remova os amortecedores intermediários e os amortecedores da extremidade para usar o instrumento em um espaço estreito.

⁷ Unidades com um pacote de pilha interna apenas

Figura 2 Visão geral do instrumento - Sonda HL7

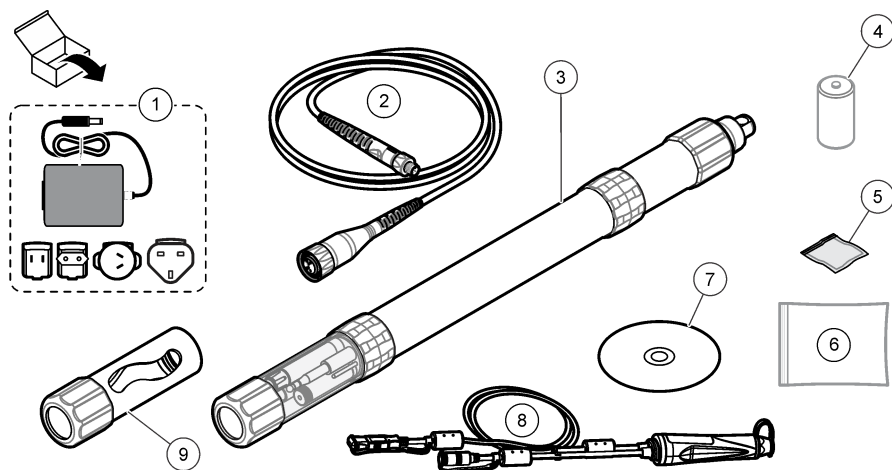


1 Tampa de calibração do copo de armazenamento/calibração	6 Invólucro
2 Copo de armazenamento/calibração	7 Amortecedor de borracha da extremidade (2x) ⁶
3 Sensores em solução tampão de pH 4 limpa	8 Conector
4 Amortecedor de borracha do meio ⁶	9 Tampa de amarração
5 Parafuso de travamento (3x) ⁵	

Componentes do produto

Certifique-se de que todos os componentes foram recebidos. Consulte [Figura 3](#) ou [Figura 4](#). Se houver itens ausentes ou danificados, entre em contato imediatamente com o fabricante ou com um representante de vendas.

Figura 3 Componentes do instrumento - Sonda HL4



1 Adaptador de alimentação CA	6 Kit(s) de manutenção do sensor ¹⁰
2 Cabo de calibração ⁸	7 DVD do Hydrolab Operating Software
3 Sonda HL4	8 Módulo de comunicações USB
4 Bateria alcalina D-cell ⁹	9 Proteção do sensor com peso ¹¹
5 Pacote de graxa de silicone, 0.25 oz	

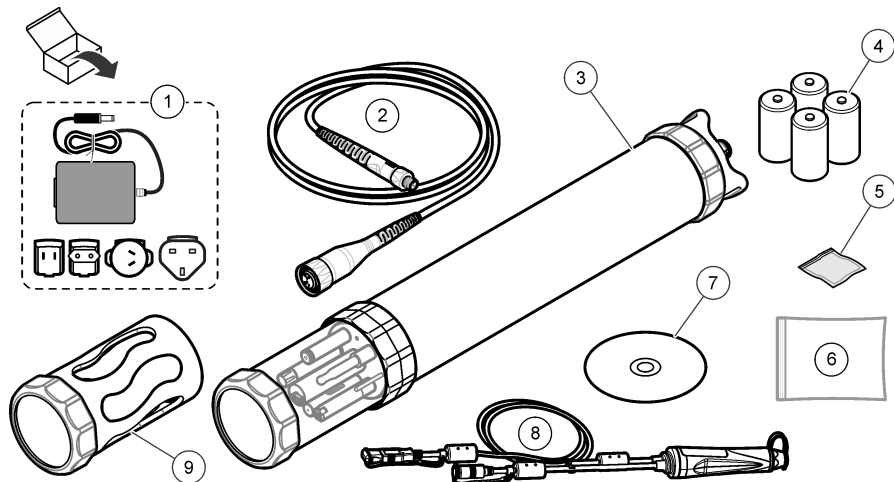
⁸ Não destinado ao uso na água. Ocorrerão danos ao instrumento.

⁹ Fornecida com unidades com pacote de pilha interna

¹⁰ Fornecido(s) com alguns sensores.

¹¹ A versão padrão é exibida.

Figura 4 Componentes do instrumento - Sonda HL7



1 Adaptador de alimentação CA	6 Kit(s) de manutenção do sensor ¹⁰
2 Cabo de calibração ⁸	7 DVD do Hydrolab Operating Software
3 Sonda HL7	8 Módulo de comunicações USB
4 Baterias alcalinas D-cell (4x)	9 Proteção do sensor com peso
5 Pacote de graxa de silicone, 7 gramas	

Como iniciar

Instalação da bateria - Sonda HL4

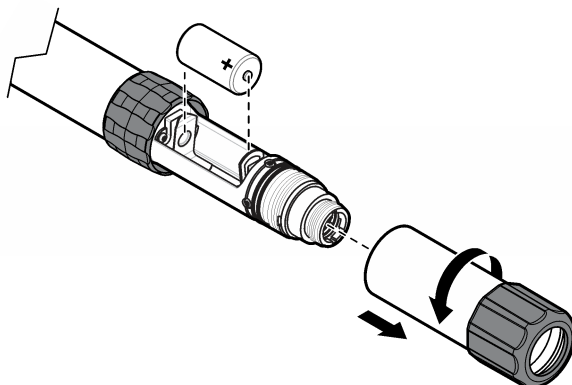
⚠ ADVERTÊNCIA



Risco de explosão. A instalação incorreta das baterias pode causar liberação de gases explosivos. A bateria deve ser do tipo químico aprovado e ser inserida com a orientação correta.

Para instrumentos com pacote de pilha interna, instale a pilha D-cell fornecida. Consulte [Figura 5](#).

Figura 5 Instale a pilha



Instalação das baterias - Sonda HL7

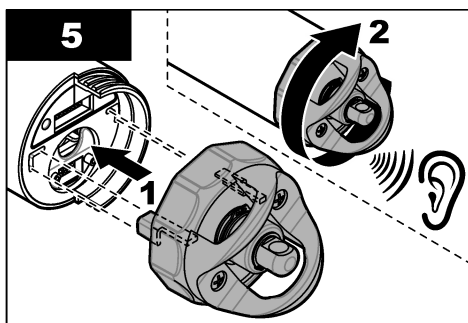
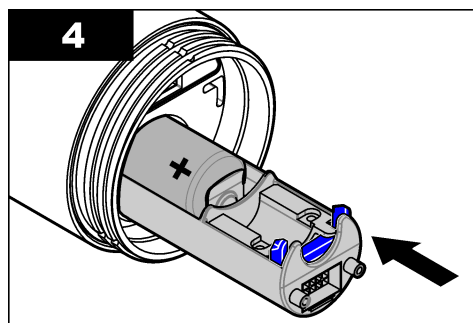
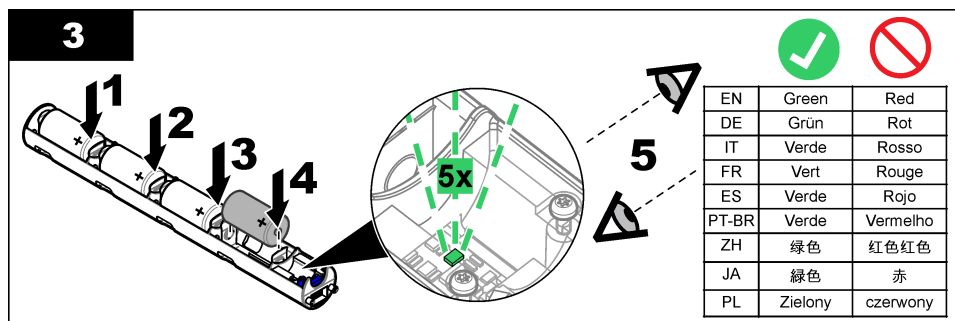
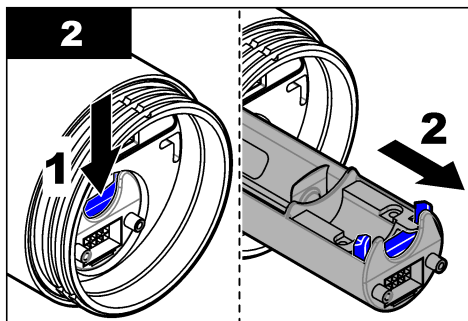
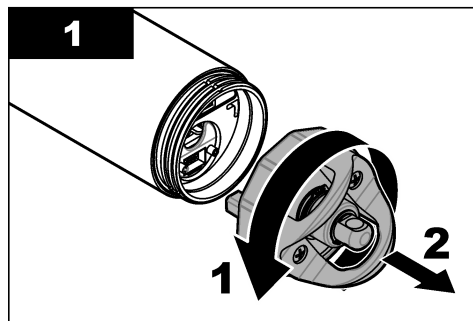
⚠ ADVERTÊNCIA



Perigo de explosão. A instalação incorreta das baterias pode causar liberação de gases explosivos. As baterias devem ser do mesmo tipo químico aprovado e ser inseridas com a orientação correta. Não misture baterias novas com antigas. Não misture baterias de fabricantes diferentes. Não use baterias danificadas.

Instale as baterias D-cell fornecidas. Consulte as etapas ilustradas seguintes.

Quando a última bateria for instalada, a luz indicadora de bateria piscará na cor verde. Se a luz indicadora piscar na cor vermelha, as baterias não têm energia suficiente.



Instale o software

Instale o software operacional Hydrolab em um PC.

Itens para coletar:

- PC com Windows XP SP3 ou mais recente

- DVD do Hydrolab Operating Software

1. Coloque o DVD no PC. O programa de instalação é iniciado.
2. Conclua as etapas nos avisos do software para instalar o software no PC.

Conectar ao PC

Conecte o instrumento ao PC.

Itens para coletar:

- PC com software operacional Hydrolab
- Cabo de calibração ou cabo de comunicação opcional
- Módulo de comunicações
- Adaptador de energia¹²

1. Conecte o instrumento ao PC. Consulte [Figura 6](#).

Gire a parte inferior da tampa de amarração para removê-la da sonda. A parte superior da tampa de amarração não gira quando a tampa de amarração está instalada.

Observação: [Figura 6](#) mostra a sonda HL4. As etapas são as mesmas para a sonda HL7.

Para conectar a um adaptador de energia ou módulo de comunicações diferente do que é exibido, consulte a documentação fornecida com o adaptador de energia ou com o módulo de comunicações.

Observação: Uma conexão de energia externa é opcional para instrumentos com pacote de pilha interna. As baterias não são usadas com a energia externa em uso.

2. Na instalação inicial e cada vez que uma porta USB diferente no PC for usada:

- a. O Windows avisa que um novo dispositivo foi encontrado e abre uma janela de assistente. Selecione **Não desta vez** para procurar o software e clique em **Avançar**.
- b. Selecione **Instalar o software automaticamente (Recomendado)** e clique em **Avançar**. Nenhum DVD é necessário.

O Windows instala o driver do software para o módulo de comunicações.

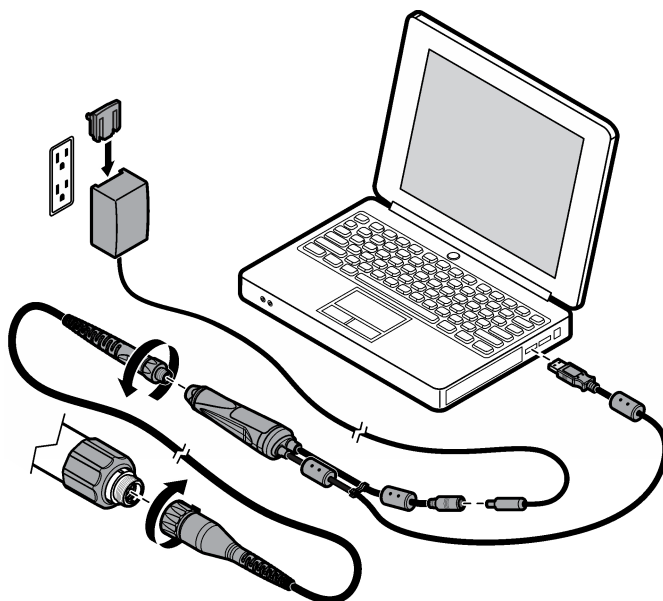
3. Inicie o software operacional Hydrolab. O instrumento conectado é exibido em Conectar ao dispositivo.

Observação: Se a etapa 2 não for realizada na instalação inicial, o instrumento não será exibido em Conectar ao dispositivo.

4. Selecione o instrumento e clique em **Conectar**.

¹² Opcional para instrumentos com pacote de pilha interna

Figura 6 Conecte o instrumento ao PC



Operação

Configuração

Consulte o *Manual do Hydrolab Operating Software* para definir as configurações do software, do instrumento e do sensor. Para ver o *Manual do Hydrolab Operating Software*, inicie o Hydrolab Operating Software, clique em "Help" (Ajuda) e selecione Hydrolab Operating Software Help (Ajuda do Hydrolab Operating Software).

Calibração

▲ CUIDADO



Risco de exposição a produtos químicos. Obedeça aos procedimentos de segurança laboratoriais e use todos os equipamentos de proteção individual adequados aos produtos químicos que estão sendo manipulados. Consulte as planilhas de dados de segurança (MSDS/SDS) atuais para verificar os protocolos de segurança.

▲ CUIDADO



Risco de exposição a produtos químicos. Descarte produtos químicos e dejetos de acordo com as regulamentações locais, regionais e nacionais.

Calibre os sensores antes do uso inicial regularmente e após manutenção ou modificações no sensor. Faça uma verificação de calibração periodicamente para certificar-se de que as medidas ainda estejam dentro dos limites permitidos.

Consulte o *Manual do software de operação do Hydrolab* para obter instruções sobre como realizar as seguintes tarefas:

- Iniciar uma calibração do sensor.

- Iniciar uma verificação de calibração do sensor.
- Definir o modo de calibração.
- Selecionar as unidades de medição mostradas durante a calibração e as verificações de calibração.
- Consultar histórico de calibração.

Para ver o *Manual do software de operação do Hydrolab*, inicie o Software de operação do Hydrolab, clique em Ajuda e selecione Ajuda do software de operação do Hydrolab.

Quando uma calibração ou verificação de calibração for iniciada, as instruções passo a passo para o sensor serão exibidas na tela.

Prepare os sensores para calibração

Antes da calibração, sempre enxágue o copo de armazenamento/calibração e limpe os sensores para evitar contaminação dos padrões de calibração.

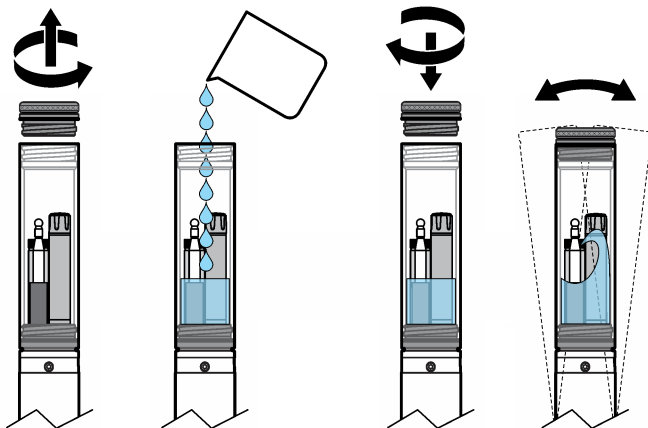
1. Enxágue o copo de armazenamento/calibração com água limpa.
2. Limpe os sensores. Consulte a documentação do sensor para obter instruções.
3. Enxágue os sensores pelo menos três vezes com água deionizada. Consulte [Figura 7](#).

Observação: *Figura 7 mostra a sonda HL4. As etapas são as mesmas para a sonda HL7.*

4. Enxágue os sensores pelo menos duas vezes com um padrão de calibração. Consulte [Figura 7](#).

Para obter resultados ideais, descarte a água deionizada e o padrão de calibração após cada enxágue.

Figura 7 Enxágue os sensores



Diretrizes de implantação

AVISO

Sempre instale a tampa de amarração ou conecte o cabo de implantação ao instrumento antes da implantação para manter o conector seco. Não use o cabo de calibração para implantação, pois o conector ficará molhado.

AVISO

Sempre instale a proteção do sensor antes da implantação, pois isso pode causar danos ao sensor.

- Não aplique mais que 68 kg (150 lb) de peso adicional ao instrumento quando a tampa de amarração estiver sendo usada.
- Não aplique mais que 113 kg (250 lb) de peso adicional ao instrumento quando o cabo de implantação estiver sendo usado.

- Não pendure nenhum peso na proteção do sensor. Consulte [Especificações](#) na página 129 para a força tensora da tampa de amarração e do cabo de implantação.

Cuidados com o cabo

- Lubrifique a superfície de vedação da tampa de amarração e o cabo de implantação opcional com graxa de silicone em um cotonete regularmente e conforme necessário.
- Mantenha todos os cabos que não sejam à prova d'água (todos os cabos exceto o cabo de implantação) em local limpo, seco e não corrosivo. Se um cabo estiver sujo ou molhado, limpe e/ou deixe o cabo secar naturalmente antes do uso.
- Não coloque cabos que não sejam à prova d'água em uma bobina com menos de 30,5 cm (12 pol.) de diâmetro, pois isso pode causar danos aos cabos.
- Não faça nós nos cabos nem use cliques para marcar profundidade.
- Não dobre ou puxe o cabo de implantação com polias de menos de 10 cm (4 pol.) de raio ou 20 cm (8 pol.) de diâmetro.
- Use um carretel manual ou elétrico com anéis de fricção elétricos para baixar e erguer o instrumento, se os cabos forem muito longos. Um carretel mais leve, sem anéis de fricção, pode ser usado para cabos mais curtos.

Implantação de curto prazo (monitorada)

AVISO

Não coloque o instrumento onde o cabo de implantação possa ser cortado ou danificado por hélices de barcos ou outros objetos móveis.

Implantação com um PC

Itens para coletar:

- PC com software operacional Hydrolab
- Proteção do sensor
- Cabo de implantação
- Módulo de comunicações USB
- Adaptador de energia¹³

1. Conecte o instrumento ao PC. Consulte [Conectar ao PC](#) na página 137. Use o cabo de implantação, não o cabo de calibração.
2. Remova o copo de armazenamento/calibração. Consulte [Figura 8](#). Guarde o copo de armazenamento/calibração para uso posterior.

Observação: [Figura 8](#) mostra a sonda HL4. As etapas são as mesmas para a sonda HL7.

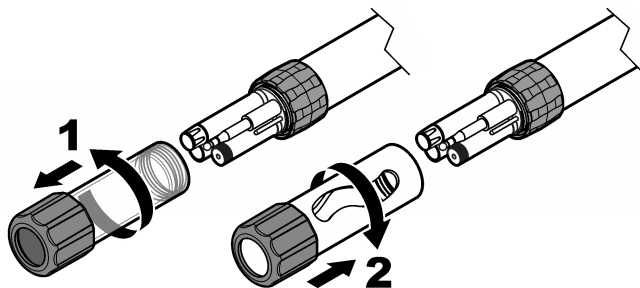
3. Instalar a proteção do sensor. Consulte [Figura 8](#).
Não deixe que os sensores fiquem secos.
4. Abaixe o instrumento para dentro da água a ser medida. Para obter resultados ideais, certifique-se de que todo o instrumento esteja dentro da água.
5. Clique em **Monitoramento** para ver medições em tempo real. Consulte o *Manual do Hydrolab Operating Software* para capturar medições e/ou alterar a exibição.

Observação: Para ver o *Manual do Hydrolab Operating Software*, inicie o *Hydrolab Operating Software*, clique em "Help" (Ajuda) e selecione *Hydrolab Operating Software Help (Ajuda do Hydrolab Operating Software)*.

Quando as medições estiverem concluídas, prepare o instrumento para deslocamento. Consulte [Preparar para armazenamento ou deslocamento](#) na página 150.

¹³ Opcional para instrumentos com pacote de pilha interna

Figura 8 Instalar a proteção do sensor



Implantação com uma célula de fluxo

⚠ ADVERTÊNCIA

Risco de lesão corporal. Certifique-se de que a pressão da amostra seja inferior a 103 kPa (15 psig).

Para o monitoramento do processo ou do bombeamento, instale a célula de fluxo opcional na sonda e passe a água de amostra através da célula de fluxo. Consulte [Figura 9](#).

Certifique-se de que a pressão da água na célula de fluxo não seja maior que 103 kPa (15 psig), ou ela poderá quebrar e causar ferimentos.

Itens para coletar:

- PC com software operacional Hydrolab ou controlador portátil Surveyor HL
- Cabo de implantação
- Célula de fluxo
- Tubulação, ½ pol.
- Filtro de água (opcional)
- Bomba de água ou sifão (opcional)
- Módulo de comunicações USB (se um PC for usado)
- Adaptador de energia¹⁴

1. Para usar um PC, conecte o instrumento ao PC. Consulte [Conectar ao PC](#) na página 137. Use o cabo de implantação, não o cabo de calibração.
2. Para usar um Surveyor HL, conecte o instrumento a um Surveyor HL. Consulte o *Manual do usuário do Surveyor HL*. Use o cabo de implantação, não o cabo de calibração.
3. Remova o copo de armazenamento/calibração. Guarde o copo de armazenamento/calibração para uso posterior.
4. Instale a célula de fluxo opcional. Consulte [Figura 9](#). Não deixe que os sensores fiquem secos.
5. Conecte duas tubulações de ½ pol. nas portas de entrada e saída de amostra.
6. Conecte a extremidade aberta da tubulação de saída de amostra em um dreno aberto ou em um recipiente de coleta.
7. Coloque a extremidade aberta da tubulação de entrada de amostra na água de amostra. Remova materiais indesejados da água de amostra com um filtro conforme necessário.
8. Se possível, inverta a sonda para que as bolhas sejam removidas dos sensores e saiam pela porta de saída de amostra.
9. Inicie o fluxo da água de amostra para a célula de fluxo.

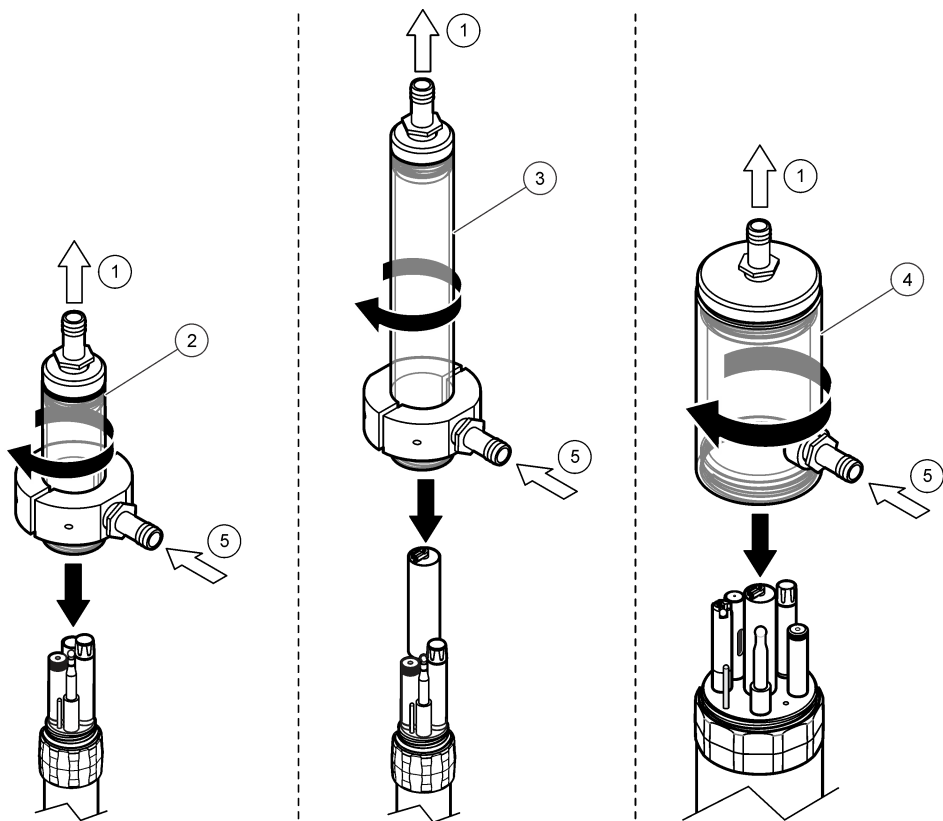
¹⁴ Opcional para instrumentos com pacote de pilha interna

10. Clique em **Monitoramento** para ver medições em tempo real. Consulte o *Manual do Hydrolab Operating Software* ou o *Manual do usuário do Surveyor HL* conforme aplicável para capturar medições e/ou alterar a exibição.

Observação: Para ver o *Manual do Hydrolab Operating Software*, inicie o *Hydrolab Operating Software*, clique em "Help" (Ajuda) e selecione *Hydrolab Operating Software Help* (Ajuda do Hydrolab Operating Software).

Quando as medições estiverem concluídas, prepare o instrumento para deslocamento. Consulte [Preparar para armazenamento ou deslocamento](#) na página 150.

Figura 9 Instale uma célula de fluxo



1 Retire a amostra	4 Célula de fluxo para a HL7
2 Célula de fluxo para a HL4	5 Entrada da amostra
3 Célula de fluxo para a HL4 com sensor estendido	

Implantação de longo prazo (autônoma)

Implantação com uma tampa de amarração

Somente instrumentos com pacote de pilha interna podem ser implantados com uma tampa de amarração.

Itens para coletar:

- PC com software operacional Hydrolab

- Proteção do sensor
- Tampa de amarração
- Corda ou linha de fiação
- Cabo de calibração
- Módulo de comunicações USB
- Adaptador de energia¹⁵

1. No escritório ou em campo, adicione um novo registro ao instrumento.

As medições são salvas no novo registro de acordo com o intervalo de medição selecionado e o intervalo de datas.

a. Conecte o instrumento a um PC. Consulte [Conectar ao PC](#) na página 137.

b. Clique em **Registro** e adicione um novo registro. Consulte *Registro* na ajuda online.

c. Selecione **Arquivo>Desconectar do dispositivo** para desconectar o instrumento do PC.

Observação: Como alternativa, clique em **Dispositivos**, selecione o instrumento e clique em **Desconectar**.

d. Desconecte o cabo de calibração do instrumento.

2. Instale a tampa de amarração no instrumento. Consulte [Figura 10](#). Gire a parte inferior da tampa de amarração para instalá-la.

Observação: [Figura 10](#) mostra a sonda HL4. As etapas são as mesmas para a sonda HL7.

3. No campo, conecte uma corda ou linha de fiação na tampa de amarração e/ou suporte (somente sonda HL7). Consulte [Figura 10](#).

4. Remova o copo de armazenamento/calibração. Consulte [Figura 8](#) na página 141. Guarde o copo de armazenamento/calibração para uso posterior.

5. Instalar a proteção do sensor. Consulte [Figura 8](#) na página 141.

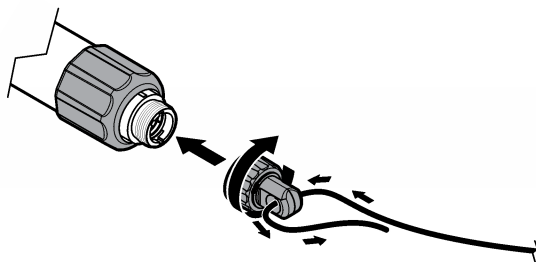
Não deixe que os sensores fiquem secos.

6. Abaixar o instrumento para dentro da água a ser medida. Para obter resultados ideais, certifique-se de que todo o instrumento esteja dentro da água.

7. Prenda o instrumento a uma boia, âncora ou estrutura. Consulte [Prenda a uma boia, âncora ou estrutura](#) na página 145.

Quando a implantação estiver concluída, prepare o instrumento para deslocamento. Consulte [Preparar para armazenamento ou deslocamento](#) na página 150.

Figura 10 Instale a tampa de amarração



Implantação com um sistema de aquisição de dados ou um controlador

Para coletar medições do instrumento em tempo real remotamente, conecte o instrumento a um sistema de aquisição de dados (por exemplo, registrador de dados ou modem) ou a um controlador com um módulo de comunicações aplicável.

¹⁵ Opcional para instrumentos com pacote de pilha interna

O instrumento permanece em modo de baixa energia (hibernação) até receber um comando do dispositivo externo para ligar, concluir uma medição e transmitir os parâmetros medidos de volta para o dispositivo externo. Consulte a ajuda online para obter os comandos do SDI-12 e os comandos de TTY compatíveis com o instrumento.

Configure o módulo de comunicações

Itens para coletar:

- PC com software operacional Hydrolab
 - Módulo de comunicações
1. No escritório ou em campo, conecte o módulo de comunicações aplicável a uma porta USB no PC.
 2. Inicie o software operacional Hydrolab. O módulo de comunicações conectado é exibido em Conectar ao dispositivo.
 3. Selecione o módulo de comunicações e clique em **Conectar**. A janela de configuração do módulo de comunicações é exibida.
 4. Configure o módulo de comunicações. Consulte *Configuração* na ajuda online.
 5. Quando a configuração estiver concluída, desconecte o cabo de comunicações do PC.
 - a. Selecione **Arquivo>Desconectar do dispositivo** para desconectar o cabo de comunicações do PC.

*Observação: Como alternativa, clique em **Dispositivos**, selecione o cabo de comunicações e clique em **Desconectar**.*
 - b. Desconecte o cabo de comunicações do PC.

Conecte o módulo de comunicações

Itens para coletar:

- Sistema de aquisição de dados ou controlador
 - Módulo de comunicações (configurado)
 - Fonte de alimentação externa, 6-24 VCC (potência nominal de 12 VCC)¹⁶
1. No campo, conecte o módulo de comunicações ao sistema de aquisição de dados ou ao controlador. Consulte a documentação fornecida com o módulo de comunicações para obter informações sobre fiação. Consulte [Transmissão de dados e fiação de energia](#) na página 144 para obter os requisitos de fiação para transmissão de dados.
 2. Se o sistema de aquisição de dados ou o controlador não puder fornecer energia para o módulo de comunicações, conecte uma fonte de alimentação externa ao módulo de comunicações. Consulte [Transmissão de dados e fiação de energia](#) na página 144 para obter os requisitos de fiação para fonte externa.

Transmissão de dados e fiação de energia

Para conectar as linhas de transmissão de dados ao módulo de comunicações, verifique se o cabo de transmissão é suficiente para a corrente operacional e se ele transferirá os dados sem distorção. Para até 305 m (1.000 pés) de cabo, três fios 26 AWG são suficientes.

Para conectar a fonte externa ao módulo de comunicações, use dois fios 18 AWG para energia. Fios de energia mais curtos podem ser usados se a fonte de alimentação está próxima ao instrumento.

Implantação do instrumento

Itens para coletar:

- Cabo de implantação

¹⁶ Opcional para instrumentos com pacote de pilha interna. Não usado quando o sistema de aquisição de dados ou o controlador pode fornecer energia ao módulo de comunicações.

- Proteção do sensor

1. Conecte o cabo de implantação ao módulo de comunicações. Use o cabo de implantação, não o cabo de calibração.
2. Conecte o cabo de implantação ao instrumento.
3. Remova o copo de armazenamento/calibração e instale a proteção do sensor. Guarde o copo de armazenamento/calibração para uso posterior. Consulte [Figura 8](#) na página 141. Não deixe que os sensores fiquem secos.
4. Abaixar o instrumento para dentro da água a ser medida. Para obter resultados ideais, certifique-se de que todo o instrumento esteja dentro da água. Não coloque o módulo de comunicações na água.
5. Prenda o instrumento e o cabo em uma estrutura. Consulte [Prenda a uma boia, âncora ou estrutura](#) na página 145.

Quando a implantação estiver concluída, prepare o instrumento para deslocamento. Consulte [Preparar para armazenamento ou deslocamento](#) na página 150.

Prenda a uma boia, âncora ou estrutura

AVISO

Não use braçadeiras para prender o instrumento, pois isso pode causar danos ao instrumento.

Para monitoramento autônomo, prenda o instrumento a uma boia, âncora ou estrutura.

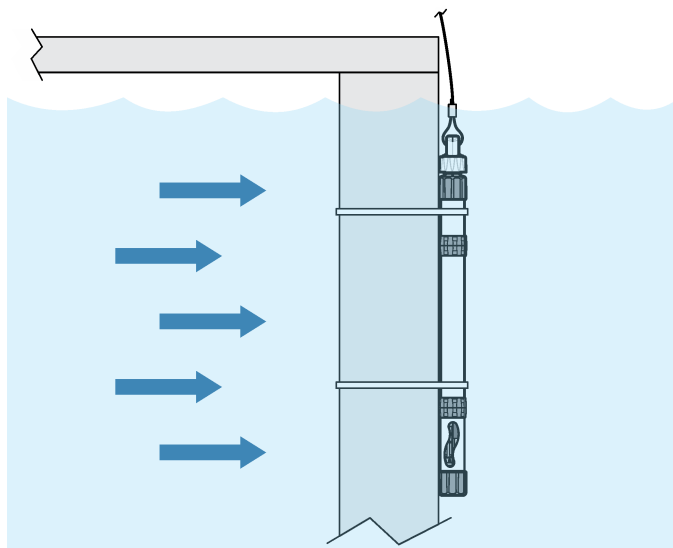
Instale em um local em que:

- Não haja danos ao instrumento causados por flutuação de material, areia, cascalho, lodo, navegação ou vandalismo
- O instrumento não esteja em contato com lama, como quando há recuo de água
- Não haja formação de gelo em torno do instrumento ou dos sensores

Para prender o instrumento a uma:

- Boia—use uma boia de marcação que não atraia atos de vandalismo.
- Estrutura—prenda o instrumento ao lado posterior de uma pilha para evitar danos causados pela flutuação de material. Consulte [Figura 11](#). Instale cuidadosamente alças como cintos de plástico e grandes abraçadeiras de plástico em ambas as extremidades do compartimento do instrumento. Prenda o cabo de implantação da mesma maneira (se usado) para evitar danos ao cabo causados por flutuação de material, navegação e vandalismo. Para evitar vandalismo, instale o instrumento e o cabo de modo que eles não sejam facilmente vistos.

Figura 11 Prenda o instrumento em uma estrutura



Manutenção

⚠ CUIDADO



Vários perigos. Somente pessoal qualificado deve realizar as tarefas descritas nesta seção do manual.

⚠ CUIDADO



Risco de lesão corporal. Em função do acúmulo de pressão dentro do instrumento, as peças removíveis podem desencaixar com força ao serem removidas. Afrouxe e remova as peças lentamente. Afaste as peças das pessoas e utilize o equipamento de proteção adequado durante as atividades de manutenção ou serviço.

AVISO

Não desmonte o instrumento para manutenção sem autorização do fabricante. Caso seja necessário limpar ou reparar componentes internos, entre em contato com o fabricante.

AVISO

Guarde o instrumento em um local no qual os sensores não congelem ou não ocorram danos ao sensor.

Limpar o compartimento e a proteção do sensor

AVISO

Para evitar danos a alguns sensores e ao instrumento, não use solventes que dissolvam plástico para limpar o compartimento e a proteção do sensor.

Examine o compartimento do instrumento e a proteção do sensor regularmente. Limpe o compartimento e a proteção do sensor conforme necessário para remover materiais indesejados e detritos.

1. Remova a proteção do sensor do instrumento.
2. Coloque no mínimo 2,5 cm (1 pol.) de solução tampão de pH 4 ou água limpa da torneira no copo de armazenamento/calibração.

3. Instale o copo de armazenamento/calibração no instrumento.
4. Limpe o compartimento e a proteção do sensor com:
 - Sabão neutro
 - Solução desengordurante, como Simple Green® (Uma marca comercial registrada da Sunshine Makers, Inc.)
 - Água quente
 - Escova dental macia limpa
 - Pano macio e/ou cotonetes

Se necessário, deixe a proteção do sensor e/ou o compartimento de molho na água por pelo menos 30 minutos para desgastar os contaminantes e torná-los fáceis de remover.

5. Enxágue o compartimento e a proteção do sensor com água limpa.

Limpe os sensores

Verifique se há material indesejado, detritos (inorgânicos e biológicos) e danos nos sensores regularmente. Limpe os sensores caso encontre materiais indesejados. Além disso, limpe os sensores se o desempenho deles diminuir. Consulte a documentação do sensor para obter instruções de limpeza.

Substitua quaisquer peças danificadas. Substitua peças com sujeira (sedimentar e/ou biológica) que afete o desempenho e não possa ser removida. Consulte a documentação do sensor para obter instruções de manutenção.

Substitua a pilha(s)

▲ ADVERTÊNCIA



Perigo de explosão. Uma bateria vencida pode causar acúmulo de gás hidrogênio dentro do instrumento. Substitua a bateria antes de seu vencimento. Não armazene o instrumento por longos períodos com a bateria instalada. Descarte as baterias de acordo com as regulamentações locais, regionais e nacionais.

Para as sondas HL4 com um pacote de bateria interna, substitua a bateria alcalina D-cell quando o nível de energia estiver baixo. Consulte [Figura 5](#) na página 135.

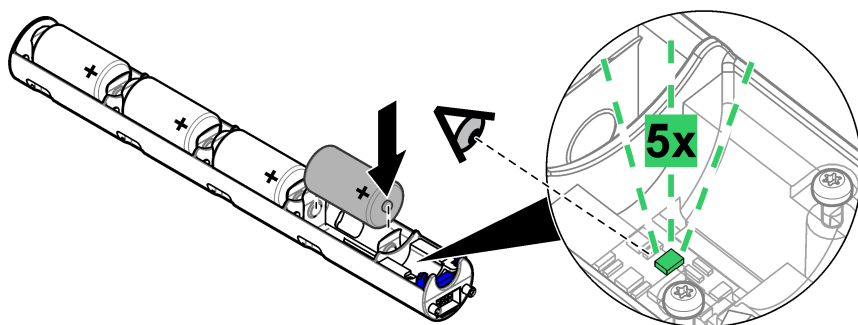
Para as sondas HL7, substitua as quatro baterias alcalinas D-cell quando o nível de energia estiver baixo. Consulte [Instalação das baterias - Sonda HL7](#) na página 136. Certifique-se de que a luz indicadora de bateria piscou na cor verde ao instalar a última bateria. Consulte [Figura 12](#). Se a luz indicadora piscar na cor vermelha, as baterias não têm energia suficiente.

Observação: O nível de energia da pilha é mostrado na parte superior da janela do software operacional Hydrolab.

Certifique-se de que a sonda esteja na horizontal quando o compartimento da bateria for aberto para manter a água na tampa fora do compartimento da bateria. Se água penetrar no compartimento da pilha, remova as pilhas, retire a água e seque completamente o compartimento com uma toalha. Deixe o compartimento da pilha secar naturalmente pro completo antes do uso para evitar corrosão.

Observação: A pilha interna do relógio não pode ser trocada pelo usuário sem autorização do fabricante.

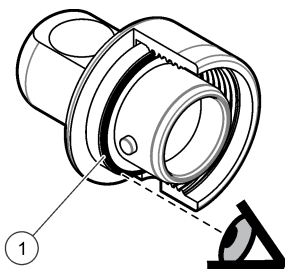
Figura 12 Luz indicadora de bateria



Examine os anéis O e a gaxeta de vedação

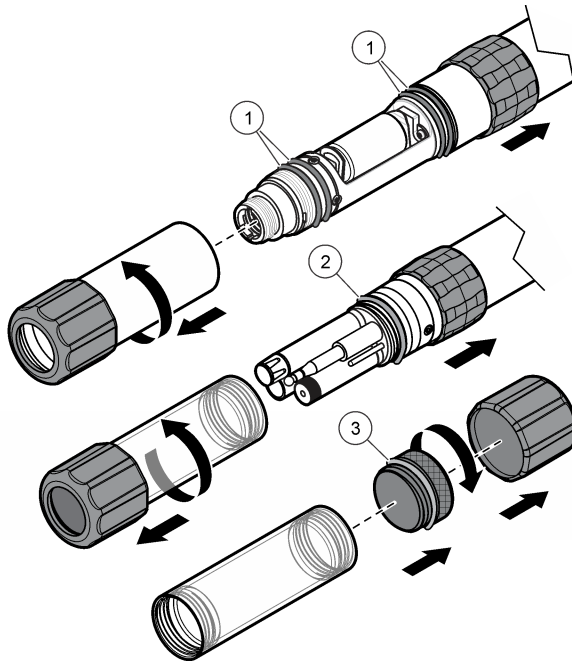
1. Verifique regularmente se há materiais indesejados, desgaste ou danos nos anéis O e na gaxeta de vedação da tampa de amarração. Consulte a [Figura 13](#) e a [Figura 15](#).
2. Remova quaisquer materiais indesejados dos anéis O e da tampa de amarração.
3. Substitua quaisquer anéis O que tiverem danos ou desgaste visível (por exemplo, rachaduras ou peças faltando). Troque pelos anéis O do fabricante.
4. Aplique graxa de silicone aos anéis O para evitar que eles grudem e sejam puxados para fora de sua posição.
5. Substitua a tampa de amarração quando houver dano ou desgaste visível na gaxeta de vedação.

Figura 13 Local da gaxeta de vedação



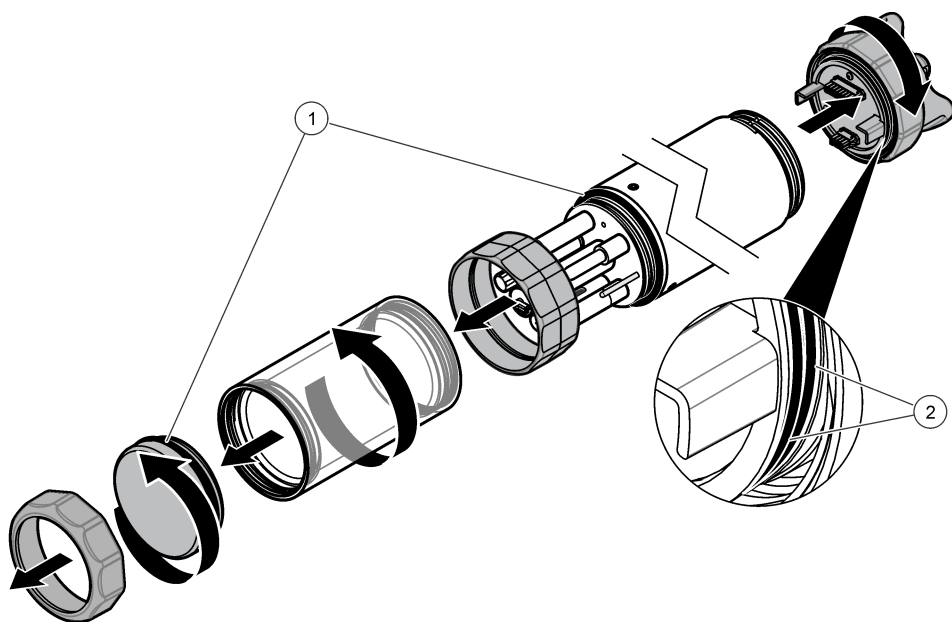
1 Gaxeta de vedação da tampa de amarração

Figura 14 Locais dos anéis O-ring - Sonda HL4



1 Anéis O do compartimento da pilha (4x)	3 Anel O da tampa de calibração
2 Anel O do copo de armazenamento/calibração	

Figura 15 Locais dos anéis O-ring - Sonda HL7



1 Anel O-ring do copo de armazenamento/calibração (2x)

2 Anéis O do compartimento da pilha (2x)

Preparar para armazenamento ou deslocamento

AVISO

Guarde o instrumento em um local no qual a água no copo de armazenamento/calibração não congele ou não ocorram danos ao sensor.

AVISO

Para evitar danos aos sensores, não os coloque em água deionizada ou soluções de limpeza.

AVISO

Não coloque um sensor de turbidez ou fluorômetro em uma solução de tampão de pH colorida, pois isso pode causar danos ao sensor.

AVISO

Não deixe os sensores em água de amostra de campo por longos períodos, pois pode ocorrer crescimento biológico que contaminará os sensores.

1. Enxágue o instrumento e os sensores com água limpa da torneira.
2. Remova a proteção do sensor e instale o copo de armazenamento/calibração. Coloque no mínimo 2,5 cm (1 pol.) de solução tampão de pH 4 claro ou água limpa da torneira no copo de armazenamento/calibração. Consulte [Figura 16](#).

Observação: [Figura 16](#) mostra a sonda HL4. As etapas são as mesmas para a sonda HL7.

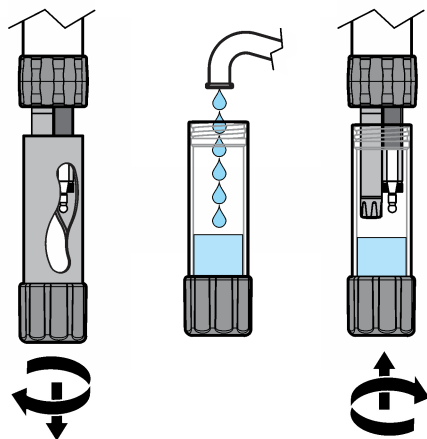
Observação: Não é necessário que os sensores permaneçam na solução de tampão de pH ou na água.

Observação: Não deixe um sensor de gás dissolvido total úmido, pois isso danificará a membrana do sensor.

3. Certifique-se de que o amortecedor da extremidade esteja instalado no copo de armazenamento/calibração.

4. Instale a tampa de amarração no conector para manter o conector limpo e seco.
5. Coloque todos os cabos que não sejam à prova d'água (todos os cabos exceto o cabo de implantação) em um contêiner seco. Não coloque cabos em uma bobina com menos de 30,5 cm (12 pol.) de diâmetro, pois isso pode causar danos aos cabos.
6. Limpe os sensores antes do armazenamento. Consulte a documentação do sensor.
7. Para armazenamentos de longo prazo, remova as baterias D-cell internas. Consulte [Figura 5](#) na página 135 ou [Instalação das baterias - Sonda HL7](#) na página 136. Nenhuma preparação adicional do sensor é necessária para armazenamento de longo prazo.

Figura 16 Preparar para armazenamento ou deslocamento



Preparar para uso após o armazenamento de longo prazo

Após o instrumento ter sido armazenado por mais de um mês,

1. Substitua o eletrólito nos sensores, se aplicável.
2. Calibre os sensores. Consulte [Calibração](#) na página 138.

Hidrate os sensores novamente

Se os sensores ficarem secos, deixe-os na água antes do uso.

Observação: Não deixe um sensor de gás dissolvido total úmido, pois isso danificará a membrana do sensor.

Solução de problemas

Consulte o *Manual do Hydrolab Operating Software* para obter informações sobre a solução de problemas. Para ver o *Manual do Hydrolab Operating Software*, inicie o Hydrolab Operating Software, clique em "Help" (Ajuda) e selecione Hydrolab Operating Software Help (Ajuda do Hydrolab Operating Software).

Peças e acessórios de reposição

⚠ ADVERTÊNCIA



Risco de lesão corporal. O uso de peças não aprovadas pode causar lesões pessoais, danos ao instrumento ou mau funcionamento do equipamento. As peças de substituição nesta seção foram aprovadas pelo fabricante.

Observação: Os códigos dos produtos podem variar para algumas regiões. Entre em contato com o distribuidor apropriado ou consulte o website da empresa para obter informações de contato.

Peças de reposição - Sonda HL4

Descrição	Nº de item
Suporte do compartimento da pilha, Sonda HL4	9047300
Cobertura do terminal da pilha, Sonda HL4	9032000
Amortecedor, borracha, extremidade, Sonda HL4	9383100
Amortecedor, borracha, meio, Sonda HL4	9383200
Tampa, copo de armazenamento/calibração, Sonda HL4	9040900
Anel O-ring, compartimento da bateria, sonda HL4 ¹⁷	9048400
Anel O, copo de armazenamento/calibração e tampa, Sonda HL4	002811
Kit de manutenção, sensor de turbidez com limpador, sonda HL4	9480800
Proteção do sensor, padrão, Sonda HL4	9383700
Proteção do sensor, padrão com peso, Sonda HL4	9044100
Proteção do sensor, estendida, Sonda HL4	9383800
Proteção do sensor, estendida com peso, Sonda HL4	8734500
Peso da proteção do sensor, sonda HL4	9383900
Caixa de transporte, sonda HL4	9309100
Copo de armazenamento/calibração, padrão, Sonda HL4	003306
Copo de armazenamento/calibração, estendido, Sonda HL4	003395HY

Peças de reposição - Sonda HL7

Descrição	Nº de item
Pacote de bateria	PACOTE DE BATERIA DA HL7
Tampa, copo de armazenamento/calibração, sonda HL7	003609HY
Anel O-ring, copo de armazenamento/calibração e tampa, sonda HL7	000568
Proteção do sensor com peso, sonda HL7	8457100
Caixa de transporte, sonda HL7	8490400
Copo de armazenamento/calibração, sonda HL7	003608
Kit de manutenção, sensor de turbidez com escova de limpeza central e limpador, sonda HL7	9480900

Peças de reposição - Sondas HL4 e HL7

Descrição	Nº de item
Cabo de calibração	9310600
Tampa contra pó, conector USB A	9046200

¹⁷ São necessárias quatro para a sonda HL4.

Peças de reposição - Sondas HL4 e HL7 (continuação)

Descrição	Nº de item
Tampa contra pó, conector de 5 pinos	9046100
Tampa contra pó, conector de alimentação CC	9046000
Módulo de comunicações, USB	6748600
Hydrolab Operating Software, DVD	9512900
Kit de manutenção, eletrodo de referência padrão, inclui: Anel O-ring (000467HY), tabletes de sal (005376HY), junção PTFE (000548HY) e solução de eletrólito (005308HY)	014660HY
Kit de manutenção, kit de substituição da tampa, sensor LDO	007460
Kit de manutenção, sensor de pH com eletrodo de referência integrado, inclui: Anel O-ring (003396HY), seringa, chave de fenda de ¼ pol., tabletes de sal (005376HY), junção PTFE (002770HY), solução de eletrólito (005308HY)	013410HY
Tampa de amarração	9310500
Adaptador de energia, CA	002782
Pacote de graxa de silicone, 7 gramas	000298HY

Acessórios

Descrição	Nº de item
Módulo de comunicações, USB	6748600
Módulo de comunicações, SDI-12	9039600
Módulo de comunicações, RS485 Modbus	9039700
Módulo de comunicações, RS232 Modbus	9039800
Módulo de comunicações, RS232 TTY	9312900
Kit de tampa contra pó, módulos de comunicação, inclui:	8808200
Tampa contra pó, conector de alimentação CC	9046000
Tampa contra pó, conector de 5 pinos	9046100
Tampa contra pó, conector USB A	9046200
Tampa contra pó, conector DB9	9045900
Cabo de comunicação, 5 m	CZ005
Cabo de comunicação, 10 m	CZ010
Cabo de comunicação, 15 m	CZ015
Cabo de comunicação, 25 m	CZ025
Cabo de comunicação, 30 m	CZ030
Cabo de comunicação, 50 m	CZ050
Cabo de comunicação, 75 m	CZ075
Cabo de comunicação, 100 m	CZ100
Cabo de comunicação, 150 m	CZ150
Cabo de comunicação, 200 m	CZ200

Acessórios (continuação)

Descrição	Nº de item
Tampa do cabo de comunicação, extremidade úmida	9714500
Célula de fluxo, HL4	014880
Célula de fluxo, HL4 com um sensor estendido	013520HY
Célula de fluxo, HL7	014120

目录

规格 第 155 页

基本信息 第 155 页

启动 第 159 页

操作 第 162 页

维护 第 169 页

故障排除 第 173 页

备件与附件 第 173 页

规格

产品规格如有变化，恕不另行通知。

规格	详细信息
尺寸	HL4: \varnothing 4.44 cm (1.75 in.)不含橡胶缓冲套; \varnothing 5.33 cm (2.1 in)含橡胶缓冲套.长度—51.43 cm (20.25 in)不含内部电池组和标准传感器护罩; 66.36 cm (26.125 in)不含内部电池组和加长传感器护罩; 62.23 cm (24.5 in)含内部电池组和标准传感器护罩; 77.787 cm (30.625 in)含内部电池组和加长传感器护罩 HL7: \varnothing 8.9 cm (3.5 in.)不含橡胶缓冲套; \varnothing 9.6 cm (3.78 in)含橡胶缓冲套.长度—66.4 cm (26.1 in)
重量	HL4: 2.2 kg (5 lb) (带内部电池组), 一节 D-cell 电池和储存杯/校准杯 (无液体) HL7: 4.5 kg (10 lb) (带四节 D-cell 电池), 储存杯/校准杯 (无液体)
电源要求	HL4: 通信模块 6–24 VDC (12 VDC 标称电压), 12 VDC: 平均功率 250 mW, 峰值功率 18 W HL7: 通信模块 6–24 VDC (12 VDC 标称电压), 12 VDC: 平均功率 2.0 W, 峰值功率 24 W
内部电池组 ¹	HL4: 一节内部 D-cell 一次性碱性电池。在记录间隔时间设置为 15 分钟、采用默认预热时间并安装了深度、温度、电导率、pH 和 LDO 传感器且处于室温的情况下大约可使用 75 天。 HL7: 四节内部 D-cell 一次性碱性电池。在记录间隔时间设置为 15 分钟、采用默认预热时间并安装了温度、电导率、pH、LDO、叶绿素 a、蓝绿藻 (淡水) 和浊度传感器、将中央清洁刷设置为清洁一圈且传感器处于室温的情况下大约可使用 90 天。
工作温度 ²	–5 至 50 °C (23 至 122 °F), 无冻结
存储温度	1 至 50 °C (34 至 122 °F)
深度	200 m (656 ft) (最大) 注: 有些传感器在 200 m (656 ft) 处不能使用。请参阅传感器文档了解传感器深度规格。
拉伸强度 (最大)	固定帽: 68 kg (150 lb); 部署线缆: 227 kg (500 lb)
传感器	HL4: 温度传感器、四个外部传感器端口和可选内部深度传感器 HL7: 温度传感器、七个外部传感器端口和可选内部深度传感器 请参阅传感器文档了解传感器规格。
通信	通信模块: USB、SDI-12、RS232 Modbus、RS485 Modbus 和 RS232 TTY 型
记录	4 GB 内存 ³ ; 最小 1 秒钟间隔
认证	CE 标志。其他认证不尽相同。联系制造商。

基本信息

对于因本手册中的任何不足或遗漏造成的直接、间接、特别、附带或结果性损失，制造商概不负责。制造商保留随时更改本手册和手册中描述的产品的权利，如有更改恕不另行通知或承担有关责任。修订版可在制造商的网站上找到。

¹ HL4 选件

² 超出该温度范围会导致机械损坏或电子性能故障。

³ 内存足够保存 5 年的连续测量值 (15 分钟记录间隔)

安全信息

注意

对于误用和滥用造成的产品损坏，制造商概不负责，包括但不限于：直接、附带和间接的损坏，并且对于适用法律允许的最大程度的损坏也不承担任何责任。用户唯一的责任是识别重大应用风险和安装适当的系统，以在设备可能出现故障时保护整个操作过程。

请在拆开本设备包装、安装或使用本设备前，完整阅读本手册。特别要注意所有的危险警告和注意事项。否则，可能会对操作者造成严重的人身伤害，或者对设备造成损坏。

确保设备提供的保护没有受损。请勿以本手册指定方式之外的其它方式使用或安装本设备。

危险品使用信息

⚠ 危险

表示潜在的或紧急的危险情况，如果不加以避免，将会导致死亡或严重伤害。

⚠ 警告

表示潜在或非常危险的情形，如不避免，可能导致严重的人身伤亡。

⚠ 警告



表示潜在的危险情形，可能导致轻度或中度人身伤害。

注意

表明如不加以避免则会导致仪器损坏的情况。需要特别强调的信息。

警告标签

请阅读贴在仪器上的所有标签和标记。如未遵照这些安全标签的指示操作，则可能造成人身伤害或仪器损坏。仪器上的符号在手册中通过警告说明参考。

	本符号如果出现在仪器中，则表示参考说明手册中的操作和/或安全信息。
	标有此符号的电气设备在欧洲不能通过家庭或公共垃圾系统进行处理。请将老旧或报废设备寄回至制造商处进行处置，用户无需承担费用。

认证

加拿大无线电干扰产生设备法规 (Canadian Radio Interference-Causing Equipment Regulation), IECS-003, A 类:

制造商支持测试记录留存。

此 A 类数字设备符合加拿大干扰产生设备法规的所有要求。

Cet appareil numérique de classe A répond à toutes les exigences de la réglementation canadienne sur les équipements provoquant des interférences.

FCC 第 15 部分, “A”类限制

制造商支持测试记录留存。该设备符合 FCC 规定第 15 部分的要求。设备操作满足以下两个条件:

1. 本设备不会造成有害干扰。
2. 本设备必须接受任何接收到的干扰，包括可能导致意外操作的干扰。

若未经负责出具符合声明的一方明确同意擅自对本设备进行改动或改装，可能会导致取消用户操作该设备的权限。本设备已经过测试，符合 FCC 规定第 15 部分中确定的 A 类数字设备限制。这些限制专门提供当设备在商业环境下工作时针对有害干扰的合理保护。该设备产生、使用和放射无线电射频能量，如果不按照说明手册的要求对其进行安装和使用，可能会对无线电通讯造成有害干扰。本设备在

居民区工作时可能会产生有害干扰，这种情况下用户须自行承担费用消除这种干扰。以下方法可用于减少干扰问题：

1. 断开设备的电源，以便确定它是干扰源与否。
2. 如果设备与遭受干扰的仪器连接到相同的插座，将设备连接到其他插座。
3. 将设备从接受干扰的仪器边上移开。
4. 重新定位受干扰仪器的接收天线。
5. 同时尝试以上多项措施。

产品概述

注意

不要在含有会损坏传感器或外壳的污染物（比如极强酸碱、高浓度有机溶剂、油脂、有毒金属或放射性水）的水中使用 HL 系列探头。

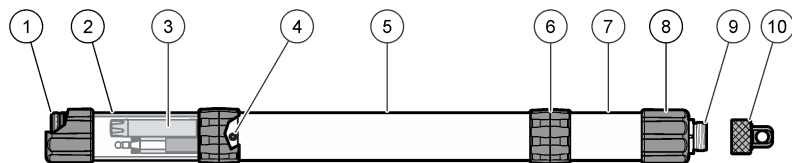
HL 系列探头用于现场测定或无人照看地监测环境水源（淡水和海水）。请参考图 1 和图 2。可使用探头测量的参数标识在探头上和 Hydrolab Operating Software 的传感器设置屏幕上。

HL4 探头配有一个温度传感器、四个外部传感器端口和一个可选内部深度传感器。四个外部传感器端口最多容纳四个不同的传感器。

HL7 探头配有一个温度传感器、七个外部传感器端口和一个可选内部深度传感器。七个外部传感器端口最多可容纳七个不同的传感器或六个不同的传感器外加可选的中央清洁刷。

要识别安装的传感器，请参阅 Hydrolab Operating Software 的传感器设置屏幕。所有传感器均为出厂安装，用户未经制造商授权不得更换。

图 1 仪器概述—HL4 探头



1 储存/校准杯的校准帽	6 中间橡胶缓冲套（2个） ⁶
2 储存/校准杯 ⁴	7 电池盒 ⁷
3 传感器位于 pH = 4 的透明缓冲液中	8 末端橡胶缓冲套（2个） ⁶
4 锁紧螺钉（2个） ⁵	9 接头
5 外壳	10 固定帽

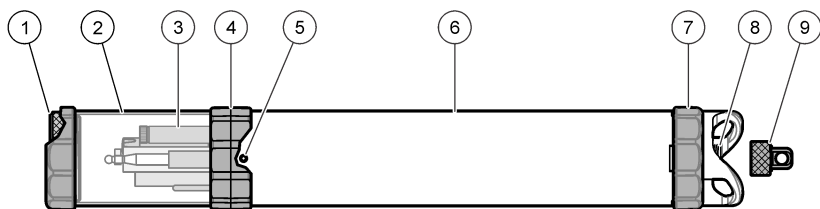
⁴ 所示为标准型。

⁵ 仅限制造商使用

⁶ 必要时可拆下中间缓冲套和末端缓冲套，以便在狭窄空间（如井内）内使用本仪器。

⁷ 仅限配有内部电池组的仪器

图 2 仪器概述—HL7 探头

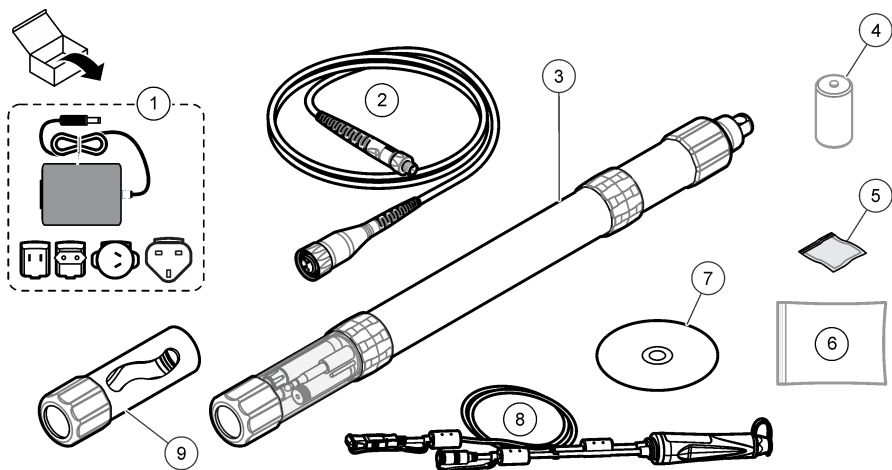


1 储存/校准杯的标准帽	6 外壳
2 储存/校准杯	7 末端橡胶缓冲套 (2个) ⁶
3 传感器位于 pH = 4 的透明缓冲液中	8 接头
4 中间橡胶缓冲套 ⁶	9 固定帽
5 锁紧螺钉 (3个) ⁵	

产品部件

确保已收到所有部件。请参阅图 3 或图 4。如有任何物品丢失或损坏，请立即联系制造商或销售代表。

图 3 仪器组件—HL4 探头



1 AC 电源适配器	6 传感器维护套件 ¹⁰
2 校准线缆 ⁸	7 Hydrolab Operating Software 光盘 (DVD)
3 HL4 探头	8 USB 通信模块
4 D-cell 碱性电池 ⁹	9 带加重传感器护罩 ¹¹
5 硅脂包, 0.25 oz	

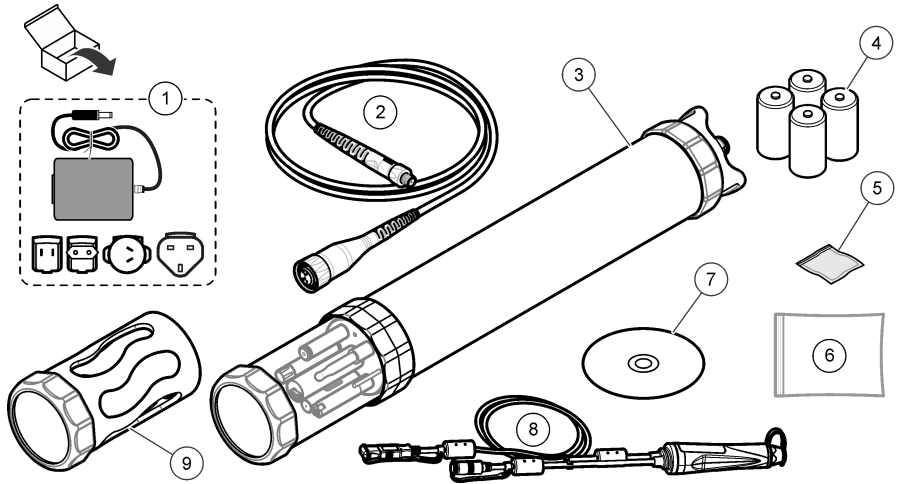
⁸ 不能用于水中。否则会损坏仪器。

⁹ 配有内部电池组的仪器随附

¹⁰ 随某些传感器提供。

¹¹ 所示为标准型。


图 4 仪器组件—HL7 探头



1 AC 电源适配器	6 传感器维护套件 ¹⁰
2 校准线缆 ⁸	7 Hydrolab Operating Software 光盘 (DVD)
3 HL7 探头	8 USB 通信模块
4 D-cell 碱性电池 (4 节)	9 带配重传感器护罩
5 0.25 oz 硅脂包	

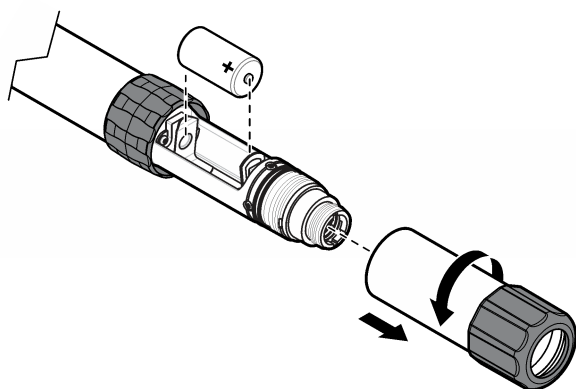
启动

安装电池—HL4 探头

警告	
	<p>爆炸危险。电池安装不正确会导致释放爆炸性气体。确保以正确的朝向插入已批准化学类型的电池。</p>

对于配有内部电池组的仪器，请安装随附的 D-cell 电池。请参阅图 5。

图 5 安装电池



安装电池—HL7 探头

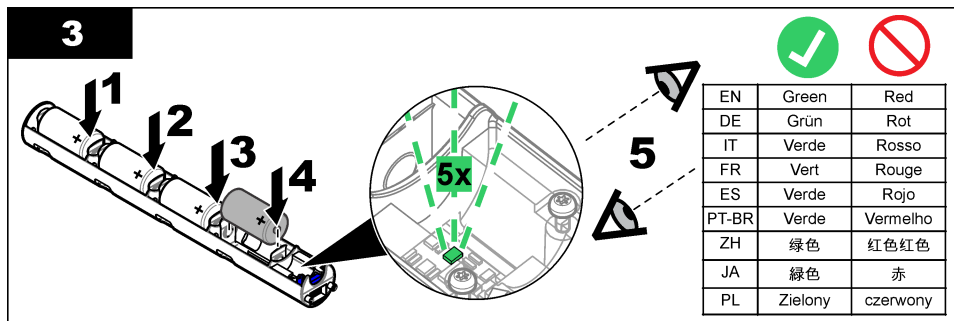
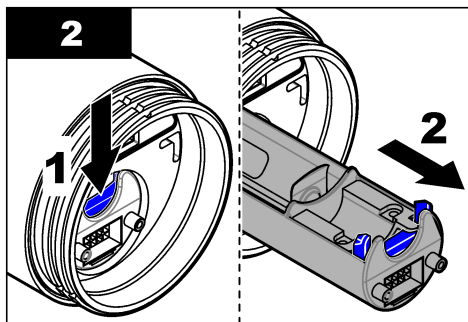
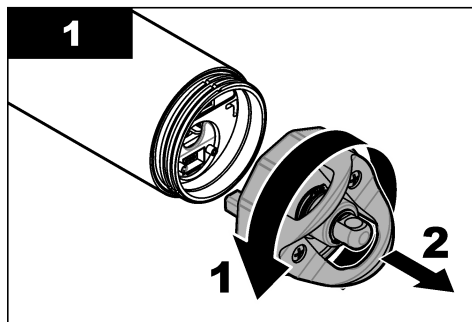
警告

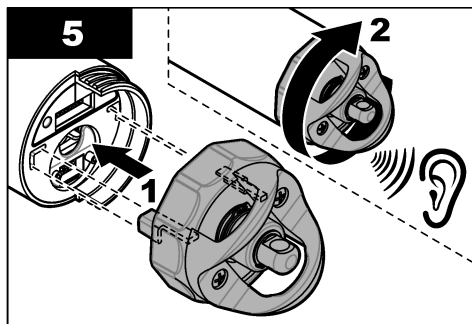
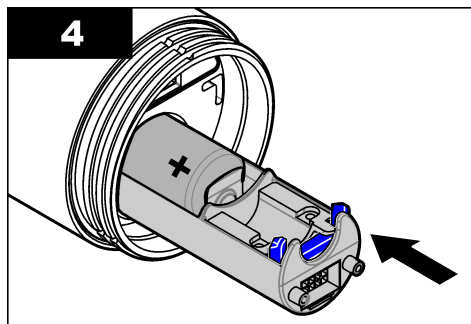


爆炸危险。电池安装不正确会导致释放爆炸性气体。确保以正确的朝向插入与已批准化学类型相同的电池。请勿混用新电池和用过的电池。请勿混用不同制造商生产的电池。请勿使用损坏的电池。

安装随附的四节 D-cell 电池。请参阅以下图示步骤。

安装完最后一节电池后，电池电量指示灯会呈绿色闪烁。如果电池电量指示灯呈红色闪烁，则表示电池电量不足。





安装软件

在电脑上安装 Hydrolab Operating Software。

需准备的物品：

- Windows XP SP3 或更高版本的电脑
- Hydrolab Operating Software 光盘 (DVD)

1. 将光盘 (DVD) 放入电脑中。随后启动安装程序。
2. 按照软件的提示步骤完成软件在电脑上的安装。

连接至电脑

将仪器连到电脑。

需准备的物品：

- 安装有 Hydrolab Operating Software 的电脑
- 校准线缆或可选部署线缆
- 通信模块
- 电源适配器¹²

1. 将仪器连到电脑。请参阅图 6。

转动固定帽底部以将其探头上取下。安装固定帽时，固定帽顶部不得转动。

注： 图 6 展示了 HL4 探头适用的操作步骤。HL7 探头适用的操作步骤与之相同。

要连接至其它的电源适配器或通信模块，请参阅电源适配器或通信模块随附的文档。

注： 对于配有内部电池组的仪器，外部电源连接属于可选项。使用外部电源时，不使用电池。

2. 首次安装时以及每次使用电脑上另一个 USB 端口时：

- a. Windows 都会提示发现新设备，并打开一个向导窗口。选择**否**，暂时不以搜索软件，然后单击下一步。

- b. 选择**自动安装软件（推荐）**，然后单击下一步。无需使用安装光盘 (DVD)。

Windows 将为通信模块安装软件驱动程序。

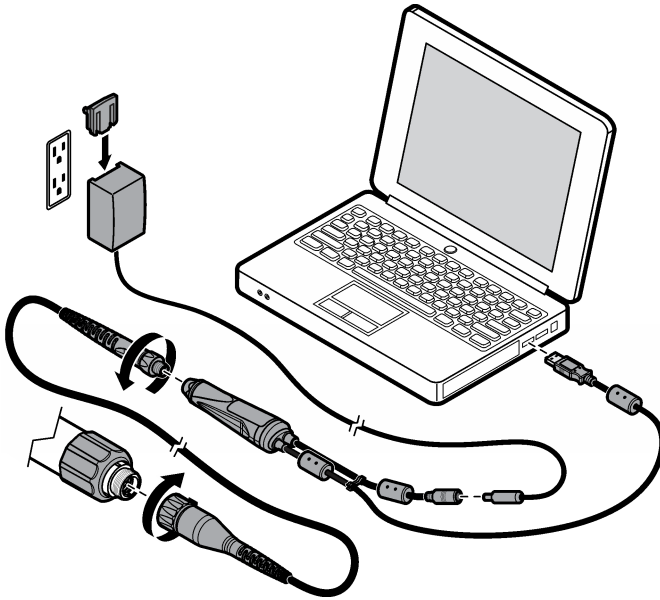
3. 启动 Hydrolab Operating Software。所连仪器出现在“连接至设备”字段中。

注： 如果未在初始安装时完成步骤 2，所连仪器不会出现在“连接至设备”字段中。

4. 选择仪器，然后单击**连接**。

¹² 对于配有内部电池组的仪器属于可选项

图 6 将仪器连接到电脑






操作

配置

有关配置软件、仪器和传感器设置的信息，请参阅 *Hydrolab Operating Software 手册*。要查看 *Hydrolab Operating Software 手册*，请启动 Hydrolab Operating Software 并单击 Help（帮助），然后选择 Hydrolab Operating Software Help（Hydrolab Operating Software 帮助）。

校准

▲ 警告	
 	存在化学品暴露风险。遵守实验室安全规程，穿戴适用于所处理化学品的所有个人防护装备。有关安全协议，请参阅当前安全数据表 (MSDS/SDS)。
▲ 警告	
	化学品暴露风险。请遵循地方、区域和国家法规处置化学品和废弃物。

首次使用之前要校准传感器，然后定期校准，并在维护或改装传感器之后进行校准。定期执行校准检查，以确保测量值仍处于公差范围内。

有关如何执行以下任务的说明，请参阅 *Hydrolab 操作软件手册*：

- 启动传感器校准。
- 启动传感器校准检查。
- 设置校准模式。

- 选择校准和校准检查期间显示的测量单位。
- 查看校准历史。

要查看 *Hydrolab 操作软件手册*，请启动 Hydrolab 操作软件并单击 Help（帮助），然后选择 Hydrolab Operating Software Help（Hydrolab 操作软件帮助）。

启动校准或校准检查后，屏幕上将会显示对应传感器标准步骤的指示。

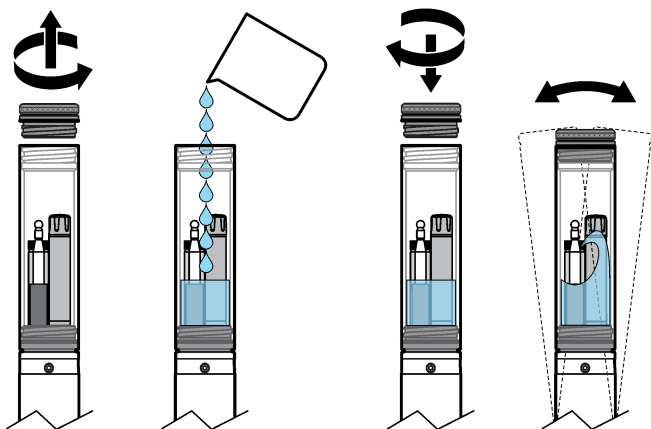
准备传感器校准

校准之前，务必冲洗储存/校准杯并清洁传感器，以防污染校准标准液。

1. 用清洁水冲洗储存/校准杯。
 2. 清洁传感器。请参阅传感器文档了解相关说明。
 3. 用去离子水冲洗传感器至少三次。请参阅图 7。
- 注：**图 7 展示了 HL4 探头适用的操作步骤。HL7 探头适用的操作步骤与之相同。
4. 用校准标准液冲洗传感器至少两次。请参阅图 7。

为获得最佳结果，每次冲洗之后都应弃置使用过的去离子水和校准标准液。

图 7 冲洗传感器



部署准则

注意

部署之前务必安装固定帽，或将部署线缆连接至仪器，以保持接头干燥。不要使用校准线缆进行部署，因为接头会受潮。

注意

务必在部署之前安装传感器护罩，否则会损坏传感器。

- 使用固定帽时，不要为仪器施加超过 68 kg (150 lb) 的额外重量。
- 使用部署线缆时，不要为仪器施加超过 113 kg (250 lb) 的额外重量。
- 不要在传感器护罩上悬挂重物。请参阅规格第 155 页了解固定帽和部署线缆的拉伸强度。

线缆维护

- 必要时定期用棉花棒蘸取硅脂润滑固定帽和可选部署线缆的密封面。
- 将所有的非防水线缆（部署线缆除外）的所有线缆保存在清洁、干燥、无腐蚀的环境中。如果线缆变脏或受潮，使用之前清洁干净，然后(或者)吹干。

- 不要将非防水缆卷成直径小于 30.5 cm (12 in)的线缆卷，否则会损坏线缆。
- 不要将线缆打结或使用夹子标记深度。
- 不要使用半径小于 10 cm (4 in) 或直径小于 20 cm (8 in) 的滑轮弯曲或拉伸部署线缆。
- 如果线缆很长，用一个带有电气滑环的电动式或手摇曲柄式卷筒升降仪器。对于较短的线缆，可以使用不含滑环的轻质卷筒。

短期（有人看管）部署

注意

仪器所在位置不应使部署线缆易被船舶螺旋桨或其它移动物体割断或损坏。

用电脑部署

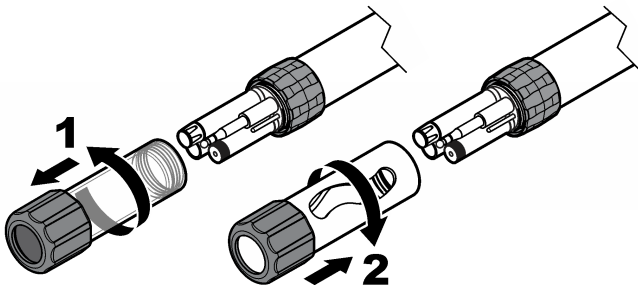
需准备的物品：

- 安装有 Hydrolab Operating Software 的电脑
- 传感器护罩
- 部署线缆
- USB 通信模块
- 电源适配器¹³

1. 将仪器连到电脑。请参阅[连接至电脑](#) 第 161 页。确保使用部署线缆而不是校准线缆。
2. 取下存储杯/校准杯。请参阅图 8。保存好存储/校准杯，以备后用。
注：图 8 展示了 HL4 探头适用的操作步骤。HL7 探头适用的操作步骤与之相同。
3. 安装传感器护罩。请参阅图 8。
不要让传感器变干燥。
4. 将仪器放入被测水中。为了获得最佳结果，确保仪器全部浸入水中。
5. 单击**监测**以查看实时测量。有关获取测量值和/或更改视图的信息，请参阅 *Hydrolab Operating Software 手册*。
注：要查看 *Hydrolab Operating Software 手册*，请启动 *Hydrolab Operating Software* 并单击 **Help**（帮助），然后选择 *Hydrolab Operating Software Help*（*Hydrolab Operating Software 帮助*）。

完成测量时，使仪器做好航行准备。请参阅[准备存放或运输](#) 第 172 页。

图 8 安装传感器护罩



用流通池部署

警告

存在人身伤害危险。确保样品压力低于 103 kPa (15 psig)。

对于过程或通过泵的监测，将可选流通池安装在探头上并将水样推过流通池。请参阅图 9。确保流通池中的水压不超过 103 kPa (15 psig)，否则流通池可能会破裂并造成人身伤害。

¹³ 对于配有内部电池组的仪器属于可选项

需准备的物品：

- 安装有 Hydrolab Operating Software 的电脑或 Surveyor HL 手持控制器
- 部署线缆
- 流通池
- ½ 英寸配管
- 滤水器（可选）
- 水泵或虹吸管（可选）
- USB 通信模块（如果使用 PC）
- 电源适配器¹⁴

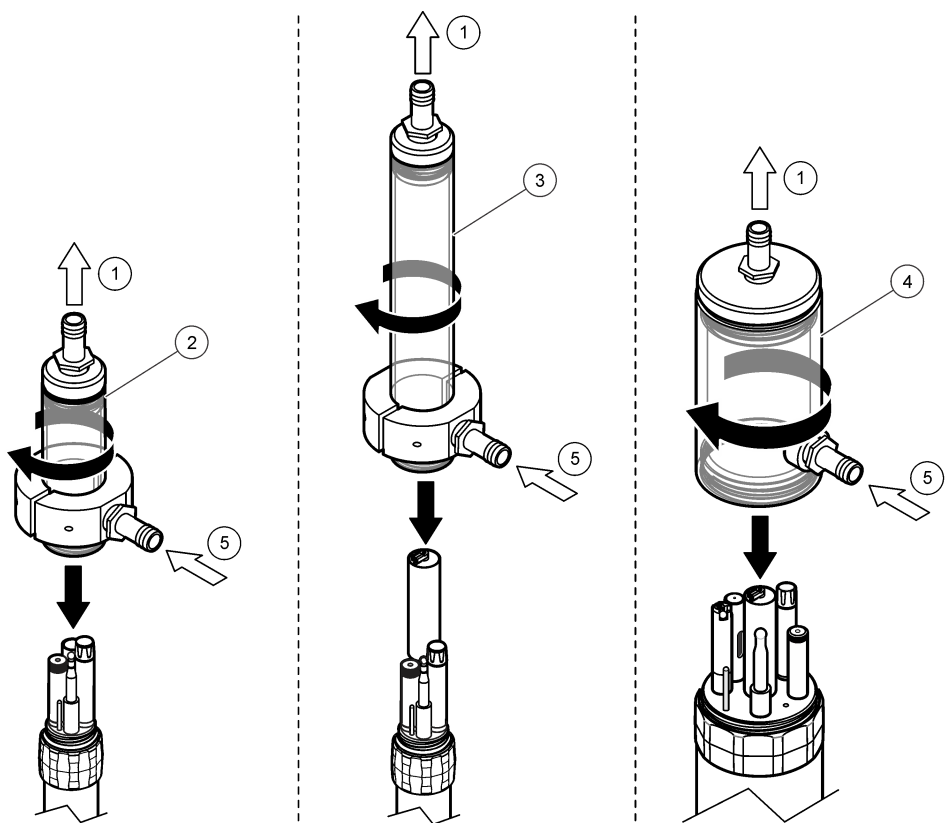
1. 要使用 PC，请将仪器连至 PC。请参阅 [连接至电脑](#) 第 161 页。确保使用部署线缆而不是校准线缆。
2. 要使用 Surveyor HL，请将仪器连至 Surveyor HL。请参阅 *Surveyor HL 用户手册*。确保使用部署线缆而不是校准线缆。
3. 取下存储杯/校准杯。保存好储存/校准杯，以备后用。
4. 安装选配的流通池。请参阅 [图 9](#)。不要让传感器变干燥。
5. 将两段 ½ 英寸配管连接至试样入口和出口。
6. 将样品出口配管的开口端连接至排水明沟或收集容器。
7. 将样品入口配管的开口端放入水样中。必要时用过滤器滤除水样中的多余物质。
8. 如果可行，翻转探头以使气泡从传感器中排出并从试样出口逸出。
9. 使水样开始流至流通池。
10. 单击 **监测** 以查看实时测量。有关获取测量值和/或更改视图的信息，请参阅 *Hydrolab Operating Software 手册* 或 *Surveyor HL 用户手册*。

注：要查看 *Hydrolab Operating Software 手册*，请启动 *Hydrolab Operating Software* 并单击 **Help**（帮助），然后选择 *Hydrolab Operating Software Help*（*Hydrolab Operating Software 帮助*）。

完成测量时，使仪器做好运输准备。请参阅 [准备存放或运输](#) 第 172 页。

¹⁴ 对于配有内部电池组的仪器属于可选项

图 9 安装流通池



1 出样口	4 用于 HL7 的流通池
2 用于 HL4 的流通池	5 进样口
3 带延长式传感器的用于 HL4 的流通池	

长期（无人看管）部署

用固定帽部署

只有配有内部电池组的仪器才能用固定帽部署。

需准备的物品：

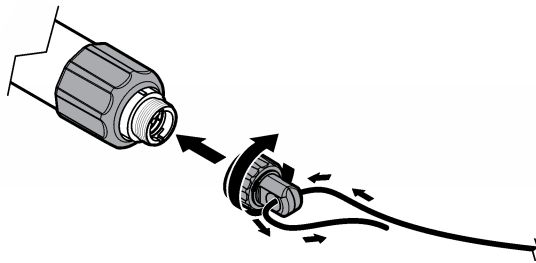
- 安装有 Hydrolab Operating Software 的电脑
- 传感器护罩
- 固定帽
- 绳子或钢索
- 校准线缆
- USB 通信模块
- 电源适配器¹⁵

¹⁵ 对于配有内部电池组的仪器属于可选项

1. 在办公室或现场为仪器添加一个新日志。
测量值将按选定的测量间隔和日期范围保存到新日志中。
 - a. 将仪器连到电脑。请参阅[连接至电脑](#) 第 161 页。
 - b. 单击**记录**，然后添加一个新日志。请参阅在线帮助中的**记录**。
 - c. 选择**文件>从设备断开**，从电脑上断开仪器。
注：或者也可以单击**设备**，选择该仪器，然后单击**断开**。
 - d. 从仪器上断开校准线缆。
2. 将固定帽安装到仪器上。请参阅图 10。转动固定帽底部进行安装。
注：图 10 展示了 HL4 探头适用的操作步骤。HL7 探头适用的操作步骤与之相同。
3. 在现场，将绳子或钢索连接至固定帽和/或卡扣（仅限于 HL7 探头）。请参阅图 10。
4. 取下存储杯/校准杯。请参阅图 8 第 164 页。保存好存储杯/校准杯，以备后用。
5. 安装传感器护罩。请参阅图 8 第 164 页。
不要让传感器变干燥。
6. 将仪器放入被测水中。为了获得最佳结果，确保仪器全部浸入水中。
7. 将仪器固定到浮标、船锚或构件上。请参阅[固定到浮标、船锚或构件上](#) 第 168 页。

完成部署后，使仪器做好航行准备。请参阅[准备存放或运输](#) 第 172 页。

图 10 安装固定帽



部署数据采集系统或控制器

要远程采集仪器的实时测量数据，需要用合适的通信模块将仪器连接到数据采集系统（即数据记录器或调制解调器）或控制器。

仪器将保持在低功率（休眠）模式，直到接收到外部设备发送的命令要求启动测量、完成测量并将所测参数发送回外部设备。请参阅在线帮助了解仪器支持的 SDI-12 命令和 TTY 命令。

配置通信模块

需准备的物品：

- 安装有 Hydrolab 操作软件的电脑
 - 通信模块
1. 在办公室或现场，将适用的通信模块连接到电脑的 USB 端口。
 2. 启动 Hydrolab 操作软件。所连通信模块出现在“连接至设备”字段中。
 3. 选择通信模块，然后单击**连接**。随后显示通信模块的配置窗口。
 4. 配置通信模块请参阅在线帮助中的**配置**。
 5. 完成配置时，断开通信模块与电脑的连接。
 - a. 选择**文件>从设备断开**，从电脑上断开通信模块。
注：或者也可以单击**设备**，选择通信模块，然后单击**断开**。
 - b. 从电脑上断开通信模块。

连接通信模块

需准备的物品：

- 数据采集系统或控制器
- 通信模块（已配置）
- 外部电源，6-24 VDC（12 VDC 标称电压）¹⁶

1. 在现场将通信模块连接至数据采集系统或控制器。请参阅通信模块随附的文档了解接线信息。请参阅[连接数据传送线和电源线](#) 第 168 页数据传送接线要求。
2. 如果数据采集系统或控制器无法向通信模块供电，将外部电源连接到通信模块。请参阅[连接数据传送线和电源线](#) 第 168 页了解外部电源接线要求。

连接数据传送线和电源线

要将数据传送线连接至通信模块，首先确保传送线缆满足工作电流的要求，并能无失真地传送数据。对于长达 305 m (1000 ft) 的线缆，三根 26 号 AWG 导线足够。

要将外部电源连接至通信模块，首先确保使用两根 18 号 AWG 电源线。如果电源靠近仪器，可以使用直径更小的电源线。

仪器的部署

需准备的物品：

- 部署线缆
- 传感器护罩

1. 将部署线缆连接至通信模块。确保使用部署线缆而不是校准线缆。
2. 将部署线缆连接至仪器。
3. 拆下储存/校准杯，安装传感器护罩。保存好储存/校准杯，以备后用。请参阅[图 8](#) 第 164 页。不要让传感器变干燥。
4. 将仪器放入被测水中。为了获得最佳结果，确保仪器全部浸入水中。不要使通信模块进入水中。
5. 用绳缆将仪器固定到一个构件上。请参阅[固定到浮标、船锚或构件上](#) 第 168 页。

完成部署后，使仪器做好航行准备。请参阅[准备存放或运输](#) 第 172 页。

固定到浮标、船锚或构件上

注意

不要用管夹安装仪器，因为会损坏仪器。

如果无人看管监测，将仪器固定到浮标、船锚或构件上。

安装位置：

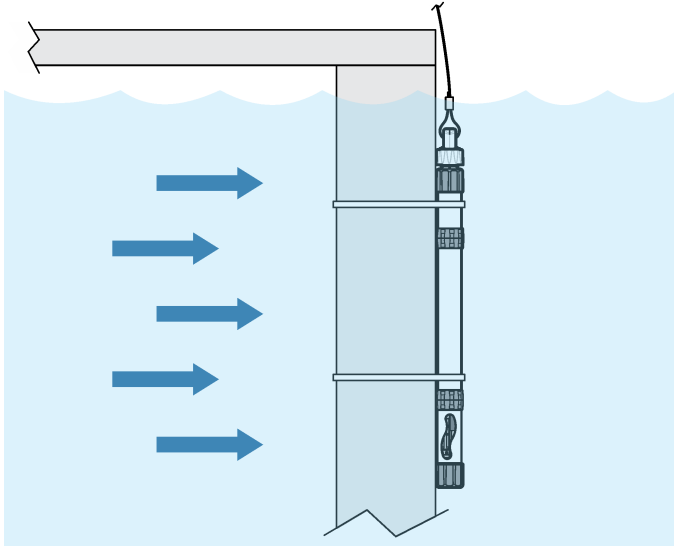
- 不会损坏仪器的地方，比如远离浮动材料、沙粒、砾石、淤泥、海上交通或易被破坏的地方
- 不会让仪器接触泥浆的地方，比如在退水之后。
- 仪器或传感器周围不会结冰。

将仪器安装到：

- 浮标 — 使用一个带有标记不易被破坏的浮标。
- 构件 — 将仪器装到下游桩子上，以防被浮动材料损坏。请参阅[图 11](#)。在仪器外壳的两端小心系上固定带，比如织带和大型塑料捆扎带。以同样方式安装部署线缆（若使用），以防线缆被浮动材料、海上交通和破坏行为损坏。为防止恶意破坏，应将仪器和线缆安装在不易被发现的地方。

¹⁶ 对于配有内部电池组的仪器属于可选项。当数据采集系统或控制器可以向通信模块供电时，无需使用外部电源。

图 11 将仪器装到构件上



维护

警告



多种危险。只有合规的专业人员才能从事文件中本部分所述的任务。

警告



人身伤害危险。由于仪器内部压力积聚，可拆卸部件在卸下时可能需要用力松开。缓慢松开并取下部件。在执行维护或维修活动期间，请远离人群并佩戴适当的防护装置。

注意

未经制造商授权不得拆解仪器进行维护。如果必须清洁或维修内部组件，请联系制造商。

注意

将仪器放在不会使传感器结冰或损坏的地方。

清洁外壳和传感器护罩

注意

为防止损坏某些传感器和仪器，不要使用易溶解塑料的溶剂清洁外壳和传感器护罩。

定期检查仪器外壳和传感器护罩。根据需要清洁外壳和传感器护罩，以清除多余的材料和沉积物。

1. 从仪器上拆下传感器护罩。
2. 将至少 2.5 cm (1 in)pH = 4 的缓冲液或清洁自来水倒入储存/校准杯中。
3. 将储存/校准杯装到仪器上。
4. 用下列物品清洁外壳和传感器护罩：
 - 质地温和的清洁剂

- 无毒脱脂溶剂，例如 Simple Green®（Sunshine Makers, Inc. 的注册商标）
- 温水
- 干净的软毛牙刷
- 软布和/或棉签

如有必要，将传感器护罩和/或外壳浸入水中至少 30 分钟，以软化污染物，使其更容易除去。


5. 用清洁水冲洗外壳和传感器护罩。

清洁传感器

定期检查传感器是否有异物、沉积物（无机和生物沉积物）及损坏。如果发现异物，清洁传感器。此外，如果传感器性能降低，也要清洁传感器。请参阅传感器文档了解清洁说明。

更换任何损坏的部件。如果结垢（沉积物和生物积垢）影响性能且无法除去，更换结垢零件。请参阅传感器文档了解维护说明。

更换电池(s)

警告	
	<p>爆炸危险。过期电池可能导致仪器内部氢气积聚。请在电池过期之前将其更换。切勿将装有电池的仪器长时间存放。请遵循当地、地区和国家法规处置电池。</p>

对于配有内部电池组的 HL4 探头，请在电池电量不足时更换 D-cell 碱性电池。请参阅图 5 第 160 页。

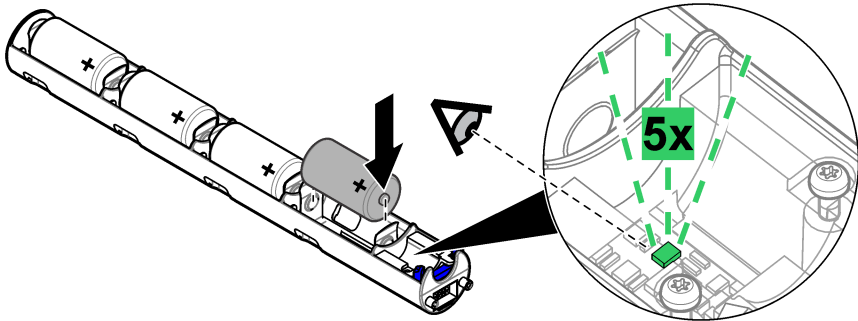
对于 HL7 探头，请在电池电量不足时更换四节 D-cell 碱性电池。请参阅安装电池—HL7 探头第 160 页。安装完最后一节电池后，确保电池电量指示灯呈绿色闪烁。请参阅图 12。如果电池电量指示灯呈红色闪烁，则表示电池电量不足。

注： 电池电量显示在 Hydrolab Operating Software 窗口的顶部。

当电池盒打开后，确保探头保持水平，以防盖子上的水进入电池盒。如果有水进入电池盒，取下电池，倒出水，用毛巾完全擦干电池盒。完全晾干电池盒之后再使用，以免发生腐蚀。

注： 未经制造商授权用户不能更换内部时钟电池。

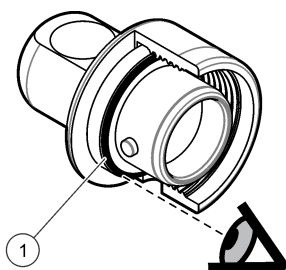
图 12 电池电量指示灯



检查 O 型圈和密封垫

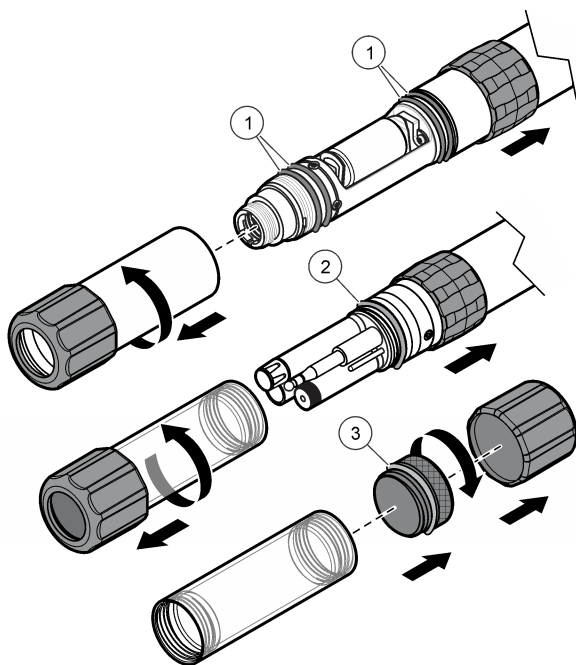
1. 定期检查 O 型圈和固定帽密封垫有无异物、磨损或损坏。请参阅图 13 至图 15。
2. 除去 O 型圈和固定帽上的任何异物。
3. 如有任何 O 型圈明显损坏或磨损（比如破裂或缺损），应予更换。用制造商提供的 O 型圈更换。
4. 为 O 型圈涂上硅脂，以防粘住和错位。
5. 密封垫有明显损坏或磨损时，更换固定帽。

图 13 密封垫位置



1 固定帽密封垫

图 14 O 型圈位置—HL4 探头

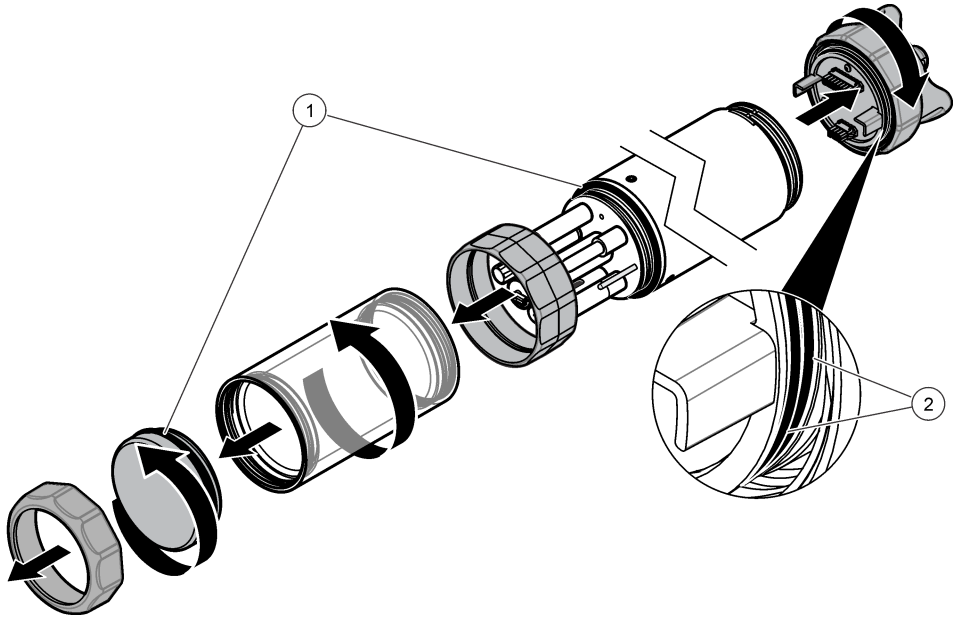


1 电池盒 O 型圈 (4 个)

2 储存/校准杯 O 型圈

3 校准杯 O 型圈

图 15 O 型圈位置—HL7 探头



1 储存杯/校准杯 O 型圈 (2 个)

2 电池盒 O 型圈 (2 个)

准备存放或运输

注意

将仪器放在不会使储存/校准杯中的水结冰或损坏传感器的地方。

注意

请勿将传感器放入去离子水或清洁液中，否则会损坏传感器。

注意

请勿将浊度传感器或荧光计放入有色 pH 缓冲液中，否则会损坏传感器。

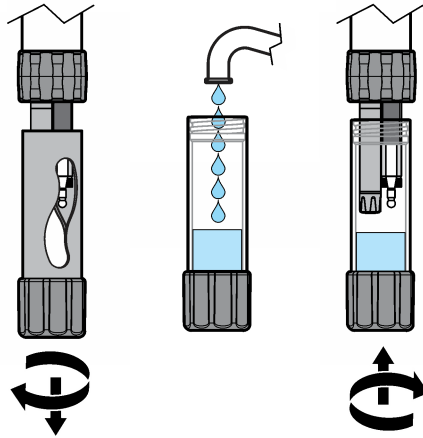
注意

不要将传感器长期放入现场水样中，会因生物生长而污染传感器。

1. 用清洁自来水冲洗仪器和传感器。
2. 拆下传感器护罩，装上储存/校准杯。将至少 2.5 cm (1 in) PH = 4 的无色缓冲液或清洁自来水倒入储存/校准杯中。请参阅图 16。
注：图 16 展示了 HL4 探头适用的操作步骤。HL7 探头适用的操作步骤与之相同。
注：传感器不必放在 PH 缓冲液或水中。
注：不要使总溶解气体传感器受潮，否则会损坏传感器膜。
3. 确保将末端缓冲套安装在储存/校准杯上。
4. 将固定帽安装在接头上，以使接头保持清洁和干燥。
5. 将所有非防水线缆（部署线缆除外的所有线缆）放在一个干燥容器中。不要将线缆卷成直径小于 30.5 cm (12 in) 的线缆卷，否则会损坏线缆。

6. 存放传感器之前进行清洁。请参阅传感器文档。
7. 对于长期存放，请拆下内部 D-cell 电池。请参阅 图 5 第 160 页 或 安装电池—HL7 探头 第 160 页。对于长期存放，无需对传感器进行其它准备。

图 16 准备存放或运输



长期存放后准备使用

仪器存放超过 1 个月之后，

1. 更换传感器中的电解液（若适用）。
2. 校准传感器。请参阅 [校准](#) 第 162 页。

重新润湿传感器


如果传感器变干燥，请在使用之前将其浸泡在水中。

注： 不要使总溶解气体传感器受潮，否则会损坏传感器膜。

故障排除

有关故障排除信息，请参阅 *Hydrolab Operating Software 手册*。要查看 *Hydrolab Operating Software 手册*，请启动 *Hydrolab Operating Software* 并单击 Help（帮助），然后选择 *Hydrolab Operating Software Help*（Hydrolab Operating Software 帮助）。

备件与附件

▲ 警告	
	<p>人身伤害危险。使用未经批准的部件可能造成人身伤害、仪器损坏或设备故障。本部分中的更换部件均经过制造商的批准。</p>

注： 一些销售地区的产品和物品数量可能有所不同。请与相关分销商联系或参阅公司网站上的联系信息。

备件—HL4 探头

说明	物品编号
电池外壳保护套, HL4 探头	9047300
电池端子盖, HL4 探头	9032000
末端橡胶缓冲套, HL4 探头	9383100
中间橡胶缓冲套, HL4 探头	9383200
储存/校准杯盖, HL4 探头	9040900
O 型圈, 电池盒, HL4 探头 ¹⁷	9048400
储存/校准杯和杯盖 O 型圈, HL4 探头	002811
维护套件, 带擦拭器的浊度传感器, HL4 探头	9480800
标准传感器护罩, HL4 探头	9383700
带配重标准传感器护罩, HL4 探头	9044100
加长传感器护罩, HL4 探头	9383800
带配重加长传感器护罩, HL4 探头	8734500
带配重的传感器护罩, HL4 探头	9383900
HL4 探头装运盒	9309100
标准储存/校准杯, HL4 探头	003306
加长储存/校准杯, HL4 探头	003395HY

备件—HL7 探头

说明	物品编号
电池组	HL7 电池组
杯盖, 储存杯/校准杯, HL7 探头	003609HY
O 型圈, 储存杯/校准杯和杯盖, HL7 探头	000568
带配重的传感器护罩, HL7 探头	8457100
HL7 探头装运盒	8490400
储存杯/校准杯, HL7 探头	003608
维护套件, 带中央清洁刷和擦拭器的浊度传感器, HL7 探头	9480900

备件—HL4 和 HL7 探头

说明	物品编号
校准线缆	9310600
防尘盖, USB A 接头	9046200
防尘盖, 5 针连接器	9046100
防尘盖, 直流电源连接器	9046000

¹⁷ HL4 探头所需数量为四个。

备件—HL4 和 HL7 探头（续）

说明	物品编号
通信模块，USB 型	6748600
Hydrolab Operating Software 光盘 (DVD)	9512900
维护套件，标准参比电极，随附： O 型圈 (000467HY)、盐片 (005376HY)、PTFE 接头 (000548HY) 和电解液 (005308HY)	014660HY
维护套件，盖更换套件，LDO 传感器	007460
维护套件，带集成式参比电极的 pH 传感器，随附： O 型圈 (003396Hy)、注射器、¼ 英寸螺丝刀、盐片 (005376HY)、PTFE 接头 (002770HY)、电解液 (005308HY)	013410HY
固定帽	9310500
交流电源适配器	002782
0.25 oz 硅脂包	000298HY

配件

说明	物品编号
通信模块，USB 型	6748600
通信模块，SDI-12 型	9039600
通信模块，RS485 Modbus 型	9039700
通信模块，RS232 Modbus 型	9039800
通信模块，RS232 TTY 型	9312900
防尘盖套件，通信模块，随附：	8808200
防尘盖，直流电源连接器	9046000
防尘盖，5 针连接器	9046100
防尘盖，USB A 接头	9046200
防尘盖，DB9 连接器	9045900
部署线缆，5 m	CZ005
部署线缆，10 m	CZ010
部署线缆，15 m	CZ015
部署线缆，25 m	CZ025
部署线缆，30 m	CZ030
部署线缆，50 m	CZ050
部署线缆，75 m	CZ075
部署线缆，100 m	CZ100
部署线缆，150 m	CZ150
部署线缆，200 m	CZ200
部署线缆帽，湿端	9714500

配件（续）

说明	物品编号
用于 HL4 的流通池	014880
用于 HL4 的流通池，带延长式传感器	013520HY
用于 HL7 的流通池	014120

目次

仕様 177 ページ

総合情報 178 ページ

スタートアップ 182 ページ

操作 185 ページ

メンテナンス 193 ページ

トラブルシューティング 198 ページ

交換パーツとアクセサリ 198 ページ

仕様

この仕様は予告なく変更されることがあります。

仕様	詳細
寸法	HL4: \varnothing 4.44 cm(ゴム製バンパーなし)、 \varnothing 5.33 cm(ゴム製バンパーあり)、長さ—51.43 cm(内蔵バッテリーパックなし、標準センサガード装着)、66.36 cm(内蔵バッテリーパックなし、拡張センサガード装着)、62.23 cm(内蔵バッテリーパックあり、標準センサガード装着)、77.78 cm(内蔵バッテリーパックあり、拡張センサガード装着) HL7: \varnothing 8.9 cm(ゴム製バンパーなし)、 \varnothing 9.6 cm(ゴム製バンパーあり)、長さ—66.4 cm
重量	HL4: 2.2 kg (内蔵バッテリーパック、単一電池 1 個、ストレージ/校正容器 (液体なし) 付き) HL7: 4.5 kg (単一電池 4 個、ストレージ/校正容器 (液体なし) 付き)
電源	HL4: 6 ~ 24 VDC (12 VDC 公称) を通信モジュールに接続、12 VDC: 平均 250 mW、最大 18 W HL7: 6 ~ 24 VDC (12 VDC 公称) を通信モジュールに接続、12 VDC: 平均 2.0 W、最大 24 W
内蔵バッテリーパック ¹	HL4: 内蔵アルカリ単一電池 1 個、再充電不可 15 分のロギング間隔、およびデフォルトの予熱時間 (深度センサ、温度センサ、導電率センサ、pH センサ、LDO センサ設置、室温) で約 75 日間使用可能 HL7: 内蔵アルカリ単一電池 4 個、再充電不可 15 分のロギング間隔、およびデフォルトの予熱時間 (温度センサ、導電率センサ、pH センサ、LDO センサ、クロロフィルセンサ、藍藻類 (淡水) センサ、濁度センサ設置、1 巡回させるための集中洗浄ブラシ設置、センサは室温) で約 90 日間使用可能
動作周囲温度 ²	-5 ~ 50 °C、凍結なし
保管温度	1 ~ 50 °C
深さ	最大 200 m 注: 一部のセンサは 200 m では使用できません。センサ深度の仕様については、センサの取扱説明書を参照してください。
引張強度 (最大)	係留キャップ: 68 kg、フィールドケーブル: 227 kg
センサ	HL4: 温度センサ、4 個の外部センサポート、およびオプションの内蔵深度センサ HL7: 温度センサ、4 個の外部センサポート、およびオプションの内蔵深度センサ センサの仕様については、センサの取扱説明書を参照してください。
通信	通信モジュール: USB、SDI-12、RS232 Modbus、RS485 Modbus、および RS232 TTY
ロギング	4 GB の内蔵メモリー ³ 、1 秒以上の間隔
認証	CE マーク認定。その他の認証は変更されることがあります。はメーカーにお問い合わせください。

¹ HL4 用オプション

² この温度範囲外で作動させると、機械的に損傷したり、電子的性能が低下したりすることがあります。

³ 15 分のロギング間隔で 5 年間継続的に測定された値を保存するのに十分なメモリー

総合情報

いかなる場合も、製造元は、例えそのような損害が生じる可能性について報告を受けていたとしても、本マニュアルに含まれるいかなる瑕疵または脱落から生じる直接的、間接的、特定、付随的または結果的に生じる損害に関して責を負いません。製造元は、通知または義務なしに、随時本マニュアルおよび製品において、その記載を変更する権利を留保します。改訂版は、製造元の Web サイト上にあります。

安全情報

告知

メーカーは、本製品の目的外使用または誤用に起因する直接損害、偶発的損害、結果的損害を含むあらゆる損害に対して、適用法で認められている範囲で一切責任を負わないものとします。ユーザーは、適用に伴う危険性を特定したり、装置が誤作動した場合にプロセスを保護するための適切な機構を設けることに関して、全責任を負うものとします。

この機器の開棚、設定または操作を行う前に、このマニュアルをすべてよく読んでください。危険および注意の注意事項に注意を払ってください。これを怠ると、使用者が重傷を負う可能性、あるいは機器が損傷を受ける可能性があります。

本装置に備わっている保護機能が故障していないことを確認します。本マニュアルで指定されている以外の方法で本装置を使用または設置しないでください。

危険情報の使用

▲ 危険

回避しなければ死亡または重傷につながる、潜在的または切迫した危険な状況を示します。

▲ 警告

避けない場合、死亡事故や負傷が起こるかも知れない危険な状況を示します。

▲ 注意



軽傷または中傷事故の原因となる可能性のある危険な状況を示しています。

告知

回避しなければ、装置の損傷を引き起こす可能性のある状況を示します。特に注意を要する情報。

使用上の注意ラベル

測定器上に貼付されたラベルや注意書きを全てお読みください。これを怠ると、人身傷害や装置の損傷につながるおそれがあります。測定器に記載されたシンボルは、使用上の注意と共にマニュアルを参照してください。

	このシンボルが測定器に記載されている場合、操作上の指示マニュアル、または安全情報を参照してください。
	このシンボルが付いている電気機器は、ヨーロッパ域内または公共の廃棄処理システムで処分できません。古くなったり耐用年数を経た機器は、廃棄するためにメーカーに無償返却してください。

取得認証

カナダの障害発生機器規則、IECS-003、クラス A:

テスト記録のサポートはメーカーにあります。

このクラス A デジタル装置はカナダの障害発生機器規則の要件をすべて満たします。

Cet appareil numérique de classe A répond à toutes les exigences de la réglementation canadienne sur les équipements provoquant des interférences.

FCC PART 15、クラス「A」 限度値

テスト記録のサポートはメーカーにあります。この機器は FCC 規則のパート 15 に準拠します。運転は以下の条件を前提としています:

1. この装置が有害な干渉の原因とならないこと。
2. この装置が望ましくない動作の原因となる可能性のあるいかなる干渉にも対応しなければなりません。

これらの規格への準拠に責任を持つ当事者による明示的承認を伴わずにこの装置に対する改変または改造を行うと、ユーザーはこの機器を使用する権限を失う可能性があります。この装置は、FCC 規則のパート 15 に従って、クラス A のデジタル機器の制限に準拠することが試験によって確認されています。これらの制限は、この機器が商用の環境で使用されたときに、有害な干渉から適切に保護することを目的に設定されています。この機器は、無線周波数エネルギーを生成および使用するもので、取り扱い説明書に従って取り付けおよび使用しない場合にはそれを放射する場合があります、無線通信に対して有害な干渉を発生させる可能性があります。住宅地域における本装置の使用は有害な電波妨害を引き起こすことがあり、その場合ユーザーは自己負担で電波妨害の問題を解決する必要があります。以下の手法が干渉の問題を軽減するために使用可能です。

1. 装置から電源を取り外して、電源が干渉源かどうかを確認します。
2. 装置が干渉を受けている装置と同じコンセントに接続されている場合は、装置を別のコンセントに接続してください。
3. 妨害を受けている装置から本装置を離します。
4. 干渉を受けるデバイスの受信アンテナの位置を変更します。
5. 上記の手法を組み合わせてみます。

製品の概要

告知

HL シリーズのゾンデを汚染物のある水の中で使用しないでください (極度の酸性または塩基、高濃度の有機溶剤、油/グリース、有毒金属、または放射性物質を含む水など)。センサまたは本体が損傷します。

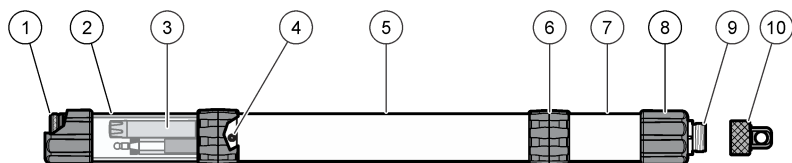
HL シリーズのゾンデはコンパクトで持ち運びできます。環境水 (淡水と海水) を現場で測定する場合や、無人モニタリングする場合に使用します。図 1 および 図 2 を参照してください。ゾンデで測定したパラメーターは、Hydrolab Operating Software のゾンデおよびセンサの設定画面で確認できます。

HL4 ゾンデには、温度センサ、4 個の外部センサポート、およびオプションの内蔵深度センサが装備されています。4 個の外部センサポートには、最大 4 つの異なるセンサを取り付けることができます。

HL7 ゾンデには、温度センサ、7 個の外部センサポート、およびオプションの内蔵深度センサが装備されています。7 個の外部センサポートには、最大 7 個の異なるセンサか、あるいは 6 個の異なるセンサとオプションの集中洗浄ブラシを付けることができます。

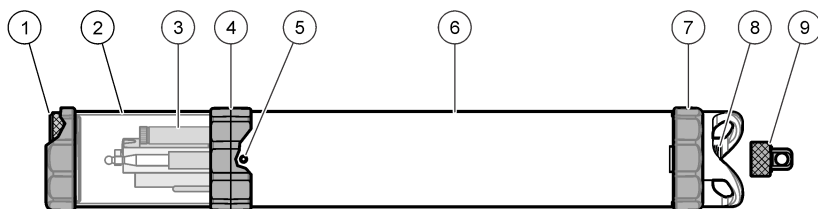
取り付けられたセンサを確認するには、Hydrolab Operating Software のセンサ設定画面を参照してください。すべてのセンサは工場出荷時に取り付けられていて、弊社から許可されている場合を除きユーザーは交換できません。

図1 装置の概要—HL4 ソンデ



1 ストレージ/校正容器の校正キャップ	6 ゴム製ミドルバンパー (2個) ⁶
2 ストレージ/校正容器 ⁴	7 バッテリーコンパートメント ⁷
3 清浄な pH 4 緩衝液内のセンサ	8 ゴム製エンドバンパー (2個) ⁶
4 ロック用ネジ (2本) ⁵	9 コネクタ
5 本体	10 係留キャップ

図2 装置の概要—HL7 ソンデ



1 ストレージ/校正容器の校正キャップ	6 本体
2 ストレージ/校正容器	7 ゴム製エンドバンパー (2個) ⁶
3 清浄な pH 4 緩衝液内のセンサ	8 コネクタ
4 ゴム製ミドルバンパー ⁶	9 係留キャップ
5 ロック用ネジ (3本) ⁵	

製品コンポーネント

すべてのコンポーネントが正しく納品されていることを確認します。図3または図4を参照してください。コンポーネントが不足していたり損傷していたりする場合は、直ちに取扱い販売代理店にお問い合わせください。

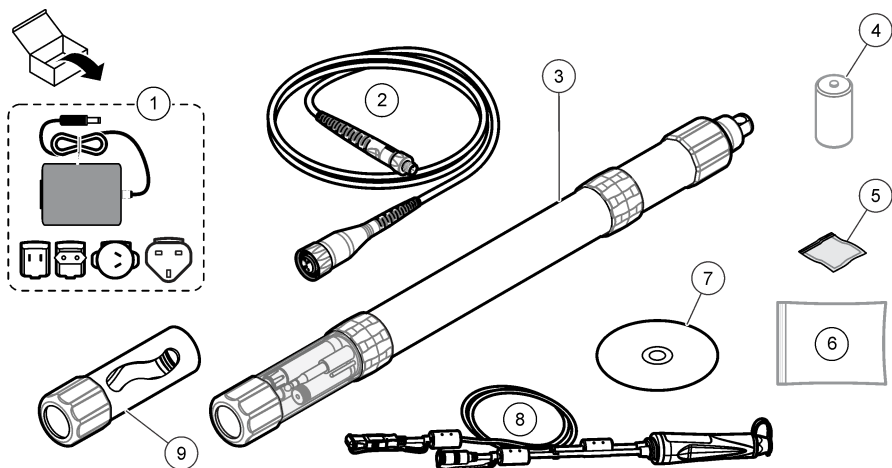
⁴ 標準バージョンを表示。

⁵ メーカー専用

⁶ 井戸などの狭いスペースで本器を使用する場合は、必要に応じてミドルバンパーおよびエンドバンパーを取り外してください。

⁷ 内蔵バッテリーパックがある場合のみ

図3 装置の構成部品—HL4 ゾンデ



1 AC 電源アダプター	6 センサメンテナンスキット ¹⁰
2 校正ケーブル ⁸	7 Hydrolab Operating Software の DVD
3 HL4 ゾンデ	8 USB 通信モジュール
4 アルカリ単一電池 ⁹	9 重りつきセンサガード ¹¹
5 シリコングリースパケット、0.25 oz	

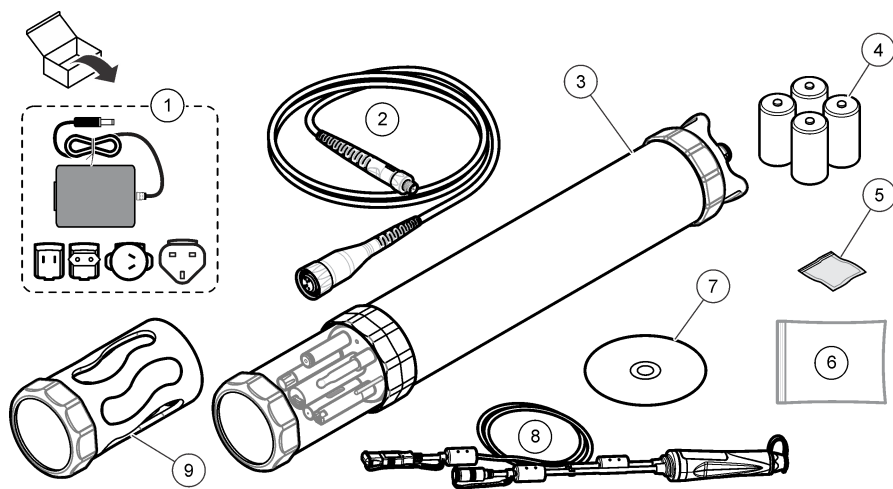
⁸ 水中では使用できません。本器が損傷します。

⁹ 内蔵バッテリーパックに付属

¹⁰ 一部のセンサに付属。

¹¹ 標準バージョンを表示。

図 4 装置の構成部品—HL7 ソンデ



1 AC 電源アダプター	6 センサメンテナンスキット ¹⁰
2 校正ケーブル ⁸	7 Hydrolab Operating Software の DVD
3 HL7 ソンデ	8 USB 通信モジュール
4 アルカリ単一電池 (4 本)	9 重りつきセンサガード
5 シリコングリースパケット、0.25 oz	

スタートアップ

バッテリーの取り付け—HL4 ソンデ

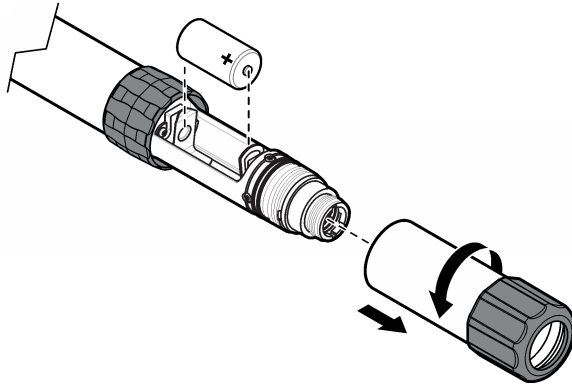
▲ 警告



爆発の危険。バッテリーを正しく入れないと、爆発性ガスが発生する可能性があります。バッテリーが指定の化学型であることと、正しい向きに入れられていることを確認してください。

本器にバッテリーパックが内蔵されている場合は、付属の単一電池を取り付けます。図 5 を参照してください。

図 5 バッテリーの取り付け



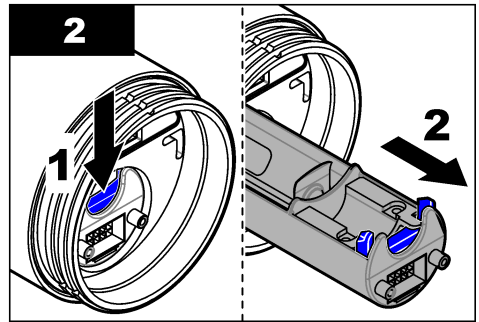
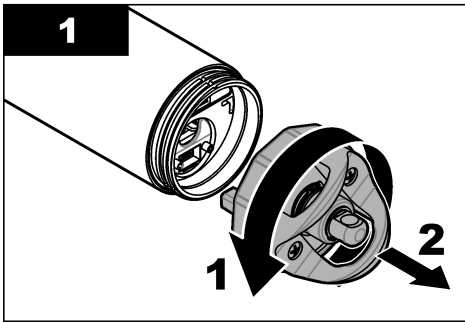
電池の取り付け—HL7 ゾンデ

警告

爆発の危険。バッテリーを正しく入れないと、爆発性ガスが発生する可能性があります。バッテリーが指定の化学型であり 3 本とも同じ型であることと、正しい方向に入れられていることを確認してください。新しいバッテリーと古いバッテリーを混ぜて使用しないでください。異なるメーカー製のバッテリーを混ぜて使用しないでください。損傷したバッテリーは使用しないでください。

付属の単一電池 4 本を取り付けます。下図に示す手順を参照してください。

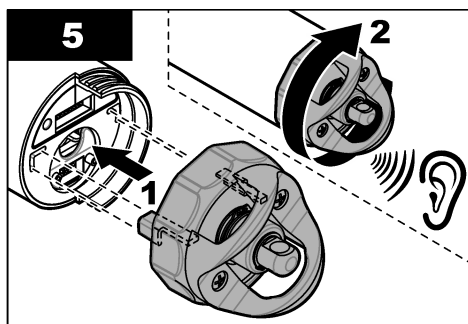
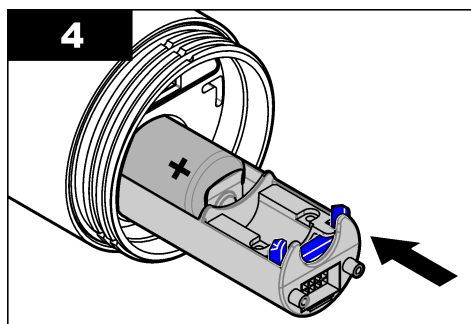
最後の電池を取り付けると、バッテリーインジケータランプが緑色に点滅します。バッテリーインジケータランプが赤色に点滅する場合は、電池残量が不足しています。



3

5

EN	Green	Red
DE	Grün	Rot
IT	Verde	Rosso
FR	Vert	Rouge
ES	Verde	Rajo
PT-BR	Verde	Vermelho
ZH	綠色	紅色紅色
JA	綠色	赤
PL	Zielony	czerwony



ソフトウェアのインストール

PC に Hydrolab Operating Software をインストールします。

用意するもの:

- Windows XP SP3 以降がインストールされた PC
- Hydrolab Operating Software の DVD

1. PC に DVD を挿入します。インストールプログラムが起動します。
2. ソフトウェアのプロンプトに示された手順に従って、PC にソフトウェアをインストールします。

PC との接続

本器を PC に接続します。

用意するもの:

- Hydrolab Operating Software がインストールされた PC
- 校正ケーブルまたはオプションのフィールドケーブル
- 通信モジュール
- 電源アダプター 12

1. 本器を PC に接続します。図 6 を参照してください。

係留キャップの底を回してゾンデから取り外します。係留キャップを取り付けるときに、係留キャップの上部は回しません。

注: 図 6 は HL4 ゾンデを示しています。HL7 ゾンデの手順も同じです。

図に示されているものと異なる電源アダプターまたは通信モジュールに接続する場合は、電源アダプターまたは通信モジュールに付属の取扱説明書を参照してください。

注: 本器にバッテリーパックが内蔵されている場合、外部電源接続はオプションです。外部電源を使用する場合、バッテリーは使用しません。

2. はじめて使用する場合、および PC の別の USB ポートを使用するたびに、次の手順を実行します。
 - a. 新しいデバイスが見つかったというメッセージが表示され、ウィザードウィンドウが開きます。[いいえ、今回は接続しません] を選択してソフトウェアを検索し、[次へ] をクリックします。
 - b. [ソフトウェアを自動的にインストールする (推奨)] を選択して、[次へ] をクリックします。DVD は不要です。
通信モジュール用のソフトウェアドライバがインストールされます。

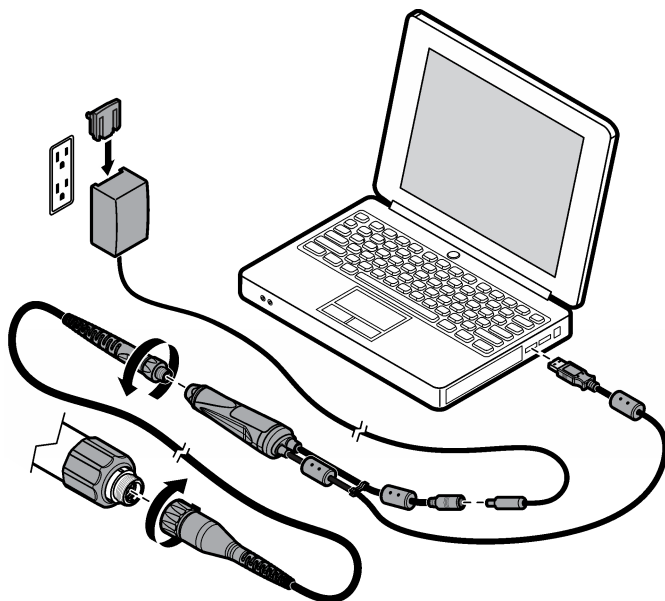
¹² 内蔵バッテリーパックはオプションです。

3. Hydrolab Operating Software を起動します。[Connect to Device (デバイスへの接続)] フィールドに、接続された本器が表示されます。

注: 最初に設置するときに手順2 を実行しなかった場合、本器は [Connect to Device (デバイスへの接続)] フィールドに表示されません。

4. 本器を選択して、[Connect (接続)] をクリックします。

図 6 本器の PC への接続



操作

設定

『Hydrolab Operating Software Manual』を参照して、ソフトウェアや装置、センサの設定を行ってください。『Hydrolab Operating Software Manual』を参照するには、Hydrolab Operating Software を起動して、[Help (ヘルプ)] をクリックし、[Hydrolab Operating Software Help (Hydrolab Operating Software ヘルプ)] を選択します。

校正

▲ 注意



化学物質による人体被害の危険。検査室の安全手順に従い、取り扱う薬品に適した個人用保護具をすべて装着してください。安全手順に関する現在の安全性データシート(MSDS/SDS)を参照してください。

▲ 注意



化学物質による人体被害の危険。化学物質および廃液は、地域、県、または国の環境規制に従って廃棄してください。

センサは、最初に使用する前、メンテナンスや変更の後、および定期的に校正を行ってください。校正チェックを定期的に行い、測定値が許容範囲内にあることを確認してください。

次の作業を行う方法については、『Hydrolab Operating Software Manual』を参照してください。

- センサ校正を開始します。
- センサ校正チェックを開始します。
- 校正モードを設定します。
- 校正および校正チェック時に表示される測定単位を選択します。
- 校正履歴を確認します。

『Hydrolab Operating Software Manual』を表示するには、Hydrolab 作動ソフトウェアを起動し、[Help (ヘルプ)] をクリックし、[Hydrolab Operating Software Help (Hydrolab Operating Software ヘルプ)] を選択します。

校正または校正チェックが開始されたら、センサの段階を追った手順がディスプレイに表示されません。

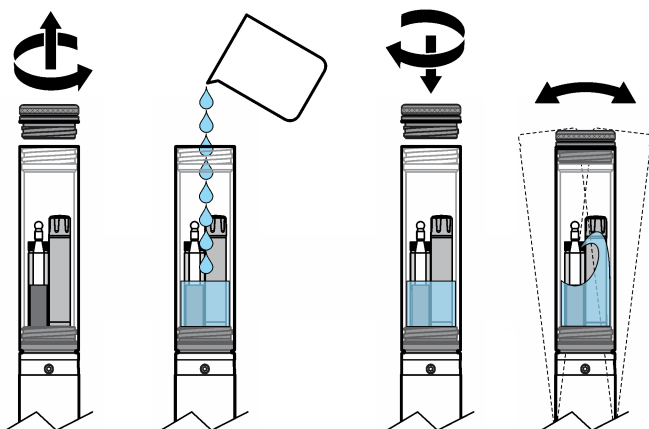
校正のためのセンサの準備

校正前に必ずストレージ/校正容器をすすぎ、センサを清掃して、校正標準液が汚れないようにしてください。

1. ストレージ/校正容器を清浄水ですすぎます。
2. センサを清掃します。手順については、センサの取扱説明書を参照してください。
3. 純水でセンサを 3 回以上すすぎます。図 7 を参照してください。
注: 図 7 は HL4 ゾンデを示しています。HL7 ゾンデの手順も同じです。
4. 校正標準液でセンサを 2 回以上すすぎます。図 7 を参照してください。

最適な結果を得るために、すすぎが完了するたびに純水および校正標準液を廃棄してください。

図 7 センサのすすぎ



使用に関するガイドライン

告知

常に係留キャップを取り付けておくか、使用前に本器にフィールドケーブルを取り付けて、コネクタを乾燥した状態に保つようしてください。使用の際に校正ケーブルは使用しないでください。コネクタが濡れるおそれがあります。

告知

使用前は常にセンサガードを取り付けておいてください。そうしないと、センサが損傷することがあります。

- 係留キャップを使用している場合は、本器に **68 kg** を超える重量を加えないでください。
- フィールドケーブルを使用している場合は、本器に **113 kg** を超える重量を加えないでください。
- センサガードに重量のある物を吊り下げないでください。係留キャップまたはフィールドケーブルの引張強度については、[仕様 177](#) ページを参照してください。

ケーブルを取り扱う場合の注意事項

- 綿棒にシリコングリスを付けて、係留キャップの密封面およびオプションのフィールドケーブルに塗ります。この作業は定期的に、または必要に応じて行ってください。
- 防水性のないケーブル（フィールドケーブルを除くすべてのケーブル）は、清潔で乾燥した、腐食のおそれのない場所に保管してください。ケーブルが汚れた場合や、濡れた場合は、ケーブルを清掃し、空気乾燥させてから使用してください。
- 防水性のないケーブルは、直径 **30.5 cm** 未満の物体にコイル状に巻かないでください。ケーブルが損傷することがあります。
- 深さをマーキングするためにケーブルに結び目を作ったり、クリップを使用したりしないでください。
- フィールドケーブルを半径 **10 cm** または直径 **20 cm** 未満の形状に折り曲げたり、このサイズより小さな滑車に掛けて引っ張ったりしないでください。
- ケーブルが非常に長い場合に本器を上げ下げするには、電気スリップリングの付いた電動リールまたはハンドル式リールを使用してください。ケーブルが短い場合は、スリップリングの付いていない軽量のリールも使用できます。

短期間の (有人) 使用

告知

ボートのプロペラなどの移動物体によって配置ケーブルが切断または損傷する可能性がある場所には、本器を設置しないでください。

PC を使用する場合の配置

用意するもの:

- Hydrolab Operating Software がインストールされた PC
- センサガード
- フィールドケーブル
- USB 通信モジュール
- 電源アダプター ¹³

1. 本器を PC に接続します。[PC との接続 184](#) ページを参照してください。校正ケーブルではなく、配置ケーブルを使用してください。
2. ストレージ/校正容器を取り外します。[図 8](#) を参照してください。ストレージ/校正容器は後で使用できるよう保管しておきます。

注: [図 8](#) は HL4 ゾンデを示しています。HL7 ゾンデの手順も同じです。

3. センサガードを取り付けます。[図 8](#) を参照してください。
センサが乾燥しないように注意してください。
4. 測定する水面の下になるように、本器の位置を下げます。最適な結果を得るために、本器全体が水面下になるようにしてください。

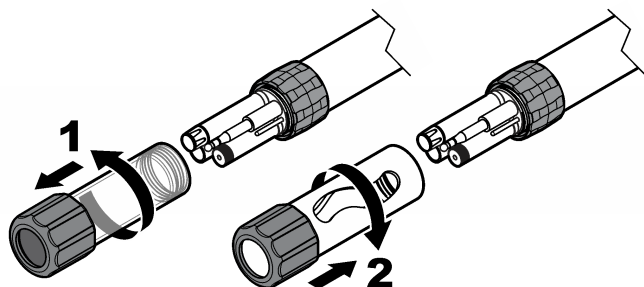
5. **[Monitoring (モニタリング)]** をクリックして、リアルタイム測定値を表示します。『*Hydrolab Operating Software Manual*』を参照して、測定値の取得やビューの切り替えを行います。

注: 『*Hydrolab Operating Software Manual*』を参照するには、Hydrolab Operating Software を起動して、[Help (ヘルプ)] をクリックし、[Hydrolab Operating Software Help (Hydrolab Operating Software ヘルプ)] を選択します。

¹³ 内蔵バッテリーパックはオプションです。

測定が完了したら、本器の移動の準備を行います。保管または移動のための準備 197 ページを参照してください。

図 8 センサガードの取り付け



フローセルを使用する場合の配置

▲ 警告

人体損傷の危険。試料の圧力を 103 kPa より低く保つよう to してください。

プロセスやポンプ通過状態を監視するために、ゾンデにオプションのフローセルを取り付け、フローセルを通して試料水を押し入れます。図 9 を参照してください。

フローセルの水圧を 103 kPa 以下に保つよう to してください。そうしないとフローセルが破損して怪我をするおそれがあります。

用意するもの:

- Hydrolab Operating Software がインストールされた PC または Surveyor HL 手持ち式変換器
 - フィールドケーブル
 - フローセル
 - チューブ、 $\frac{1}{2}$ -インチ
 - ろ過フィルター (オプション)
 - 水ポンプまたはサイフォン (オプション)
 - USB 通信モジュール(PC 使用の場合)
 - 電源アダプター 14
1. PC を使用するには、本器を PC に接続します。PC との接続 184 ページを参照してください。校正ケーブルではなく、フィールドケーブルを使用してください。
 2. Surveyor HL を使用するには、本器を Surveyor HL に接続します。『Surveyor HL User Manual』を参照してください。校正ケーブルではなく、配置ケーブルを使用してください。
 3. ストレージ/校正容器を取り外します。ストレージ/校正容器は後で使用できるよう保管しておきます。
 4. オプションのフローセルを取り付けます。図 9 を参照してください。センサが乾燥しないように注意してください。
 5. 2 個の $\frac{1}{2}$ -インチチューブをサンプル入口とサンプル出口に接続します。
 6. サンプル出口チューブの開口端を開口ドレインまたは収集容器に取り付けます。
 7. サンプル入口チューブの開口端を試料水に入れます。必要に応じて、試料水から不要な物質をフィルターで取り除きます。
 8. 可能であれば、ゾンデを反転攪拌してセンサから泡を取り除き、サンプル出口ポートから出します。
 9. 試料水のフローセルへの流入を開始します。

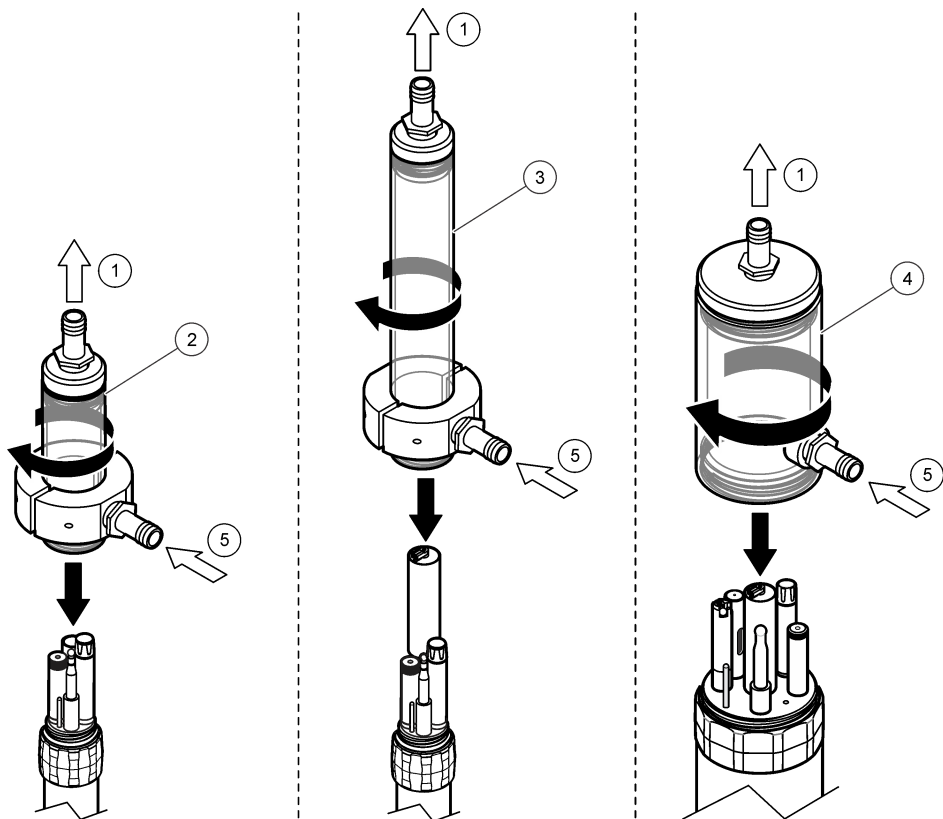
¹⁴ 内蔵バッテリーパックはオプションです。

10. **[Monitoring (モニタリング)]** をクリックして、リアルタイム測定値を表示します。対応する『Hydrolab Operating Software Manual』または『Surveyor HL User Manual』を参照し、測定値の取得やビューの切り替えを行います。

注: 『Hydrolab Operating Software Manual』を参照するには、Hydrolab Operating Software を起動して、[Help (ヘルプ)] をクリックし、[Hydrolab Operating Software Help (Hydrolab Operating Software ヘルプ)] を選択します。

測定が完了したら、本器の移動の準備を行います。保管または移動のための準備 197 ページを参照してください。

図 9 フローセルの取り付け



1 サンプル出口	4 HL7 のフローセル
2 HL4 用フローセル	5 試料入口
3 HL4 用フローセル (延長センサ付き)	

長期間の (無人) 使用

係留キャップを使用する場合の使用法

本器を配置する際に係留キャップを使用できるのは、本器にバッテリーパックが内蔵されている場合のみです。

用意するもの:

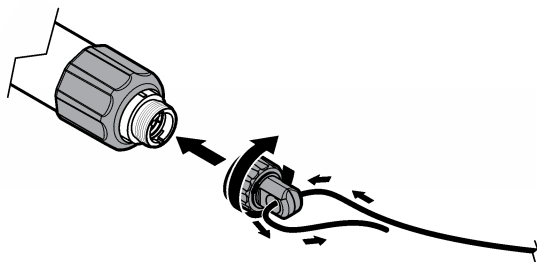
- Hydrolab Operating Software がインストールされた PC

- センサガード
- 係留キャップ
- ロープまたはワイヤー
- 校正ケーブル
- USB 通信モジュール
- 電源アダプター¹⁵

1. 事務所または現場で本器に新しいログを追加します。
測定値は、選択した測定間隔および日付範囲に応じて新しいログに保存されます。
 - a. 本器を PC に接続します。PC との接続 184 ページを参照してください。
 - b. **[Logging (ロギング)]** をクリックして、新しいログを追加します。オンラインヘルプの「ロギング」を参照してください。
 - c. **[File (ファイル)]** > **[Disconnect from Device (デバイスとの接続を切断)]** を選択して、PC と本器との接続を切断します。
注: または、**[Devices (デバイス)]** をクリックし、本器を選択してから、**[Disconnect (切断)]** をクリックします。
 - d. 本器から校正ケーブルを取り外します。
2. 本器に係留キャップを取り付けます。図 10 を参照してください。係留キャップの下部を回して、取り付けます。
注: 図 10 は HL4 ゾンデを示しています。HL7 ゾンデの手順も同じです。
3. 現場で、係留キャップやベイル (HL7 ゾンデのみ) にロープやワイヤーラインを取り付けます。図 10 を参照してください。
4. ストレージ/校正容器を取り外します。図 8 188 ページを参照してください。ストレージ/校正容器は後で使用できるよう保管しておきます。
5. センサガードを取り付けます。図 8 188 ページを参照してください。
センサが乾燥しないように注意してください。
6. 測定する水面の下になるように、本器の位置を下げます。最適な結果を得るために、本器全体が水面下になるようにしてください。
7. ブイ、錨、または構造物に本器を取り付けます。ブイ、錨、または構造物への取り付け 192 ページを参照してください。

配置が完了したら、本器の移動の準備を行います。保管または移動のための準備 197 ページを参照してください。

図 10 係留キャップの取り付け



データ収集システムまたは変換器を使用する場合の使用方法

本器で測定されたリアルタイム測定値をリモートに収集する場合は、対応する通信モジュールを使用して本器をデータ収集システム (データロガーまたはモデム) または変換器に接続します。

¹⁵ 内蔵バッテリーパックはオプションです。

外部デバイスから電源投入コマンドを受信し、測定を完了して、測定パラメーターを外部デバイスに戻すまで、本器は低電力(スリープ)モードのままです。本器でサポートされている SDI-12 コマンドおよび TTY コマンドについては、オンラインヘルプを参照してください。

通信モジュールの設定

用意するもの:

- Hydrolab オペレーティングソフトウェアがインストールされた PC
 - 通信モジュール
1. 事務所または現場で、該当する通信モジュールを PC の USB ポートに接続します。
 2. Hydrolab オペレーティングソフトウェアを起動します。[Connect to Device (デバイスへの接続)] フィールドに、接続された通信モジュールが表示されます。
 3. 通信モジュールを選択して、[Connect (接続)] をクリックします。通信モジュールの設定ウィンドウが表示されます。
 4. 通信モジュールを設定します。オンラインヘルプの「設定」を参照してください。
 5. 設定が完了したら、PC から通信ケーブルを取り外します。
 - a. [File (ファイル)] > [Disconnect from Device (デバイスとの接続を切断)] を選択して、PC から通信ケーブルを取り外します。

注: または、[Devices (デバイス)] をクリックして通信ケーブルを選択してから、[Disconnect (切断)] をクリックします。
 - b. PC から通信ケーブルを取り外します。

通信モジュールの接続

用意するもの:

- データ収集システムまたは変換器
 - 通信モジュール (設定済み)
 - 外部電源、6 ~ 24 VDC (12 VDC 公称)¹⁶
1. 現場で、データ収集システムまたは変換器に通信モジュールを接続します。配線の詳細については、通信モジュールに付属の取扱説明書を参照してください。データ送信に関する配線の要件については、[データ送信および電源配線 191](#) ページを参照してください。
 2. データ収集システムまたは変換器から通信モジュールに電力を供給できない場合は、外部電源を通信モジュールに接続します。外部電源に関する配線の要件については、[データ送信および電源配線 191](#) ページを参照してください。

データ送信および電源配線

データ送信線を通信モジュールに接続するには、送信ケーブルが作動電流に対応していて、データが歪みなしに送信されることを確認してください。305 m 以下のケーブルの場合は、26 AWG ワイヤーが 3 本あれば十分です。

外部電源を通信モジュールに接続する場合、電源には 18 AWG ワイヤーを 2 本使用してください。電源が本器の近くにある場合は、ゲージの小さな電源ワイヤーを使用できます。

本器の配置

用意するもの:

- 配置ケーブル
- センサガード

¹⁶ 内蔵バッテリーバックはオプションです。データ収集システムまたは変換器から通信モジュールに電力を供給できる場合は、使用しません。

1. 通信モジュールに配置ケーブルを接続します。校正ケーブルではなく、配置ケーブルを使用してください。
2. 本器に配置ケーブルを接続します。
3. ストレージ/校正容器を取り外して、センサガードを取り付けます。ストレージ/校正容器は後で使用できるよう保管しておきます。図 8 188 ページを参照してください。センサが乾燥しないように注意してください。
4. 測定する水面の下になるように、本器の位置を下げます。最適な結果を得るために、本器全体が水面下になるようにしてください。通信モジュールを水の中に入れてください。
5. 本器およびケーブルを構造物に取り付けます。ブイ、錨、または構造物への取り付け 192 ページを参照してください。

配置が完了したら、本器の移動の準備を行います。保管または移動のための準備 197 ページを参照してください。

ブイ、錨、または構造物への取り付け

告知

本器を取り付ける場合は、パイプクランプを使用しないでください。本器が損傷する可能性があります。

無人モニタリングの場合は、本器をブイ、錨、または構造物に取り付けます。

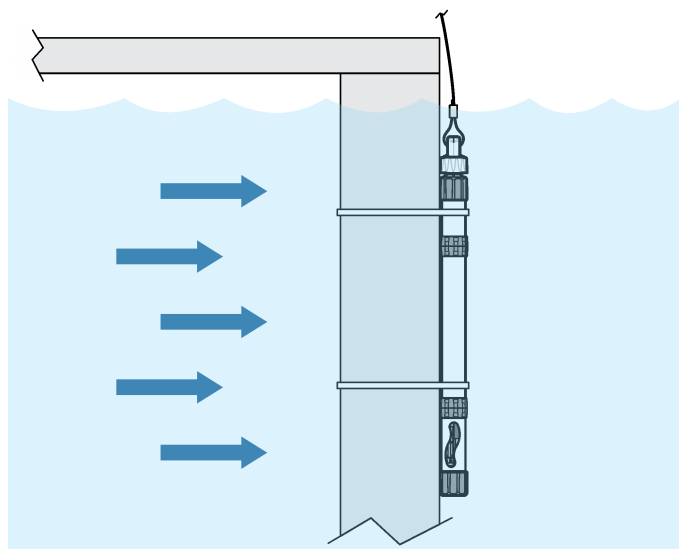
次の場所に取り付けます。

- 浮遊物、砂、砂利、沈泥、航行、破壊行為などによって本器が損傷しない場所
- 水の減少などによって本器が泥に接触することがない場所
- 本器やセンサ付近に氷が付着しない場所

本器を取り付ける場合は、場所に応じて次の手順に従います。

- ブイ—破壊行為を誘発しないマーキングブイを使用します。
- 構造物—浮遊物によって損傷しないよう、杭の下流側に本器を取り付けます。図 11 を参照してください。本器本体の両端にウェブベルトやプラスチック製大型タイラップなどのストラップを慎重に取り付けます。配置ケーブルを使用する場合は、同様な方法で取り付けて、浮遊物、航行、破壊行為などによるケーブルの損傷を防止します。破壊行為を防止するために、本器やケーブルは見えにくい位置に取り付けてください。

図 11 構造物への本器の取り付け



メンテナンス

▲ 注意



複合的な危険。本書のこのセクションに記載されている作業は、必ず資格のある要員が行う必要があります。

▲ 注意



負傷の危険。装置内部で圧力が高まるため、取り外し可能な部品を外そうとすると中からの力で外れることがあります。部品はゆっくり緩めて取り外してください。メンテナンスまたはサービス作業中は、部品を人のいない方に向け、適切な護身具を装着してください。

告知

弊社の許可がない場合は、メンテナンスのために本器を分解しないでください。内部のコンポーネントを清掃するか、または修理する場合は、弊社にお問合せください。

告知

センサが凍結しない場所に本器を保管してください。センサが損傷します。

本体およびセンサガードの清掃

告知

本体およびセンサガードを清掃する場合は、一部のセンサおよび本器の損傷を防止するために、プラスチックを溶かす溶剤等は使用しないでください。

本器の本体およびセンサガードは定期的にチェックしてください。必要に応じて本体およびセンサガードを清掃して、汚れやゴミを取り除いてください。

1. 本器からセンサガードを取り外します。
2. 2.5 cm 以上の pH 4 緩衝液または清潔な水道水をストレージ/校正容器に注ぎます。
3. ストレージ/校正容器を本器に取り付けます。

4. 次のアイテムを使用して本体およびセンサガードを清掃します。

- 中性洗剤
- Simple Green® (Sunshine Makers, Inc. の登録商標) などの毒性のない脱脂液
- 温水
- 清潔で柔らかい歯ブラシ
- 柔らかい布または綿棒

必要に応じてセンサガードや本体を水に 30 分以上浸し、汚れを軟らかくして取り除きやすくします。

5. 本体およびセンサガードを清浄な水ですすぎます。

センサの清掃

センサに汚れやゴミ (無機物や生物)、および損傷がないか定期的にチェックしてください。汚れが見つかった場合は、センサを清掃します。センサの性能が低下した場合も、センサを清掃します。清掃手順については、センサの取扱説明書を参照してください。

損傷した部品は交換してください。性能に影響する物質 (沈殿物や生物) が付着して取り除けない部品がある場合は、交換します。メンテナンス手順については、センサの取扱説明書を参照してください。

バッテリーの交換

▲ 警告



爆発の危険。期限切れのバッテリーを取り付けたままにしておくと、装置内部に水素ガスが蓄積する場合があります。バッテリーは有効期限が切れる前に交換してください。装置にバッテリーを取り付けたまま長期間保管しないでください。電池は、自治体や国の規則に従って廃棄してください。

内蔵バッテリーパック付き HL4 ゾンデの場合、バッテリー残量が低下したらアルカリ単一電池を交換してください。図 5 183 ページを参照してください。

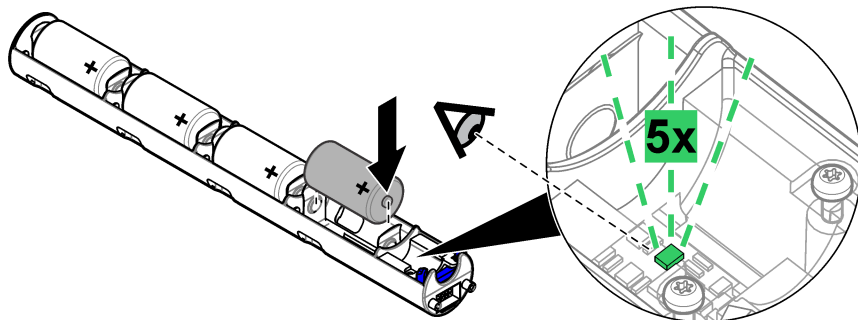
HL7 ゾンデの場合、バッテリー残量が低下したらアルカリ単一電池 4 個を交換してください。電池の取り付け—HL7 ゾンデ 183 ページを参照してください。最後の電池を取り付けたときにバッテリーインジケータが緑色に点滅することを確認してください。図 12 を参照してください。バッテリーインジケータランプが赤色に点滅する場合は、電池残量が不足しています。

注: バッテリー残量は *Hydrolab Operating Software* ウィンドウの上部に表示されます。

バッテリーコンパートメントが開いているときは、カバー上の水がバッテリーコンパートメントに入らないように、ゾンデを水平にしてください。バッテリーコンパートメントに水が入った場合は、電池を取り外して水を排出し、タオルでコンパートメントの水分を完全に拭き取ってください。腐食を防ぐために、バッテリーコンパートメントを完全に空気乾燥してから使用するようにしてください。

注: 弊社の許可がない限り、ユーザーは内蔵クロックバッテリーを交換できません。

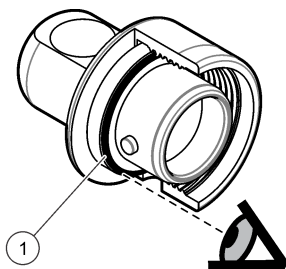
図 12 バッテリーインジケータランプ



○リングおよびシーリングガスケットのチェック

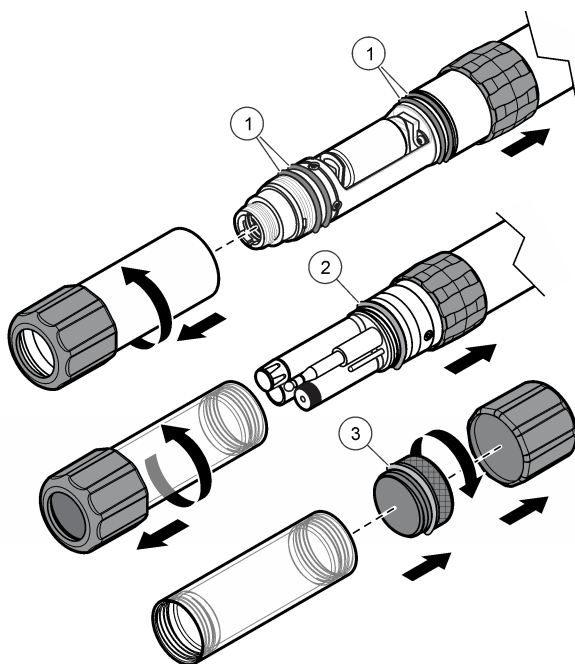
1. 係留キャップの○リングおよびシーリングガスケットに汚れの付着、摩耗、または損傷がないかを定期的にチェックしてください。図13～図15を参照してください。
2. ○リングおよび係留キャップから汚れを取り除きます。
3. ○リングに目に見える損傷や摩耗（ひび割れや欠損）がある場合は、交換します。弊社純正の○リングと交換してください。
4. ○リングにシリコングリースを塗って、固着したり、位置がずれたりしないようにします。
5. シーリングガスケットに目に見える損傷や摩耗がある場合は、係留キャップを交換します。

図13 シーリングガスケットの位置



1 係留キャップのシーリングガスケット

図 14 Oリングの位置—HL4 ゾンデ

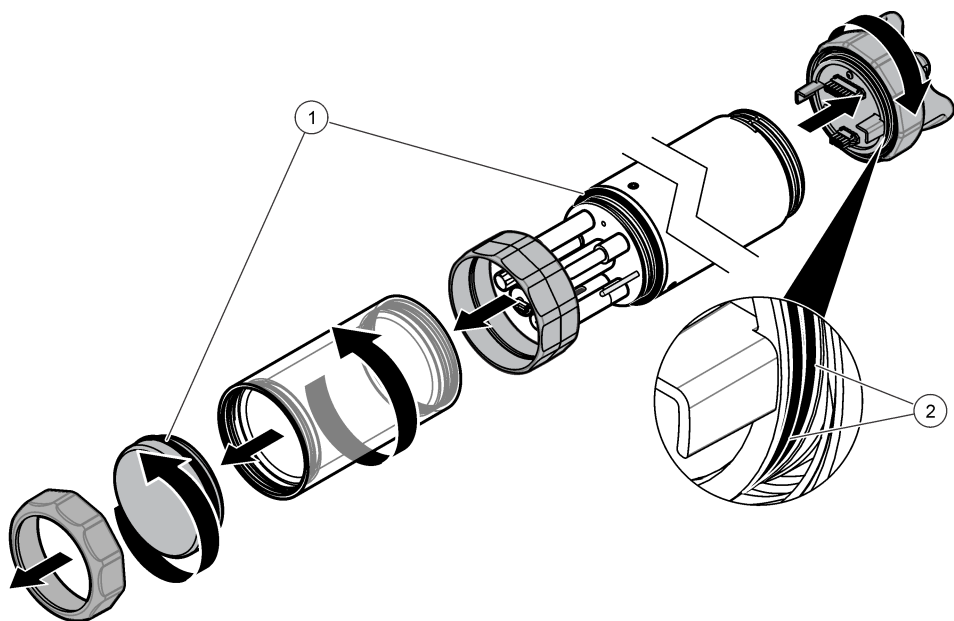


1 バッテリーコンパートメント Oリング (4 個)

2 ストレージ/校正容器の Oリング

3 校正キャップの Oリング

図 15 O リングの位置—HL7 ゾンデ



1 ストレージ/校正容器の O リング (2 個)	2 バッテリーコンパートメント O リング (2 個)
---------------------------	-----------------------------

保管または移動のための準備

告知

ストレージ/校正容器内の水が凍結しない場所に本器を保管してください。センサが損傷します。

告知

センサを純水や洗浄液内に入れたままにしないでください。センサが損傷します。

告知

濁度センサまたは蛍光光度計を色の付いた pH 緩衝液内に入れたままにしないでください。センサが損傷します。

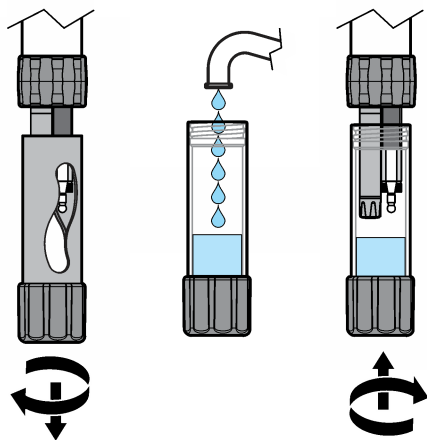
告知

現場の試料水内にセンサを長期間置き続けしないでください。付着した生物が成長してセンサが汚染されることがあります。

1. 本器およびセンサを水道水ですすぎます。
2. センサガードを取り外して、ストレージ/校正容器を取り付けます。2.5 cm 以上の無色の pH 4 緩衝液または清潔な水道水をストレージ/校正容器に注ぎます。図 16 を参照してください。
注: 図 16 は HL4 ゾンデを示しています。HL7 ゾンデの手順も同じです。
注: センサを pH 緩衝液または水の中に入れる必要はありません。
注: 溶存ガスセンサ全体を濡れたままにしないでください。センサのメンブランが損傷します。
3. ストレージ/校正容器にエンドバンパーが取り付けられていることを確認してください。
4. コネクタに係留キャップを取り付け、コネクタを清潔で乾燥した状態に保ちます。
5. 防水性のないすべてのケーブル (配置ケーブルを除くすべてのケーブル) を乾燥したコンテナに入れます。ケーブルを直径 30.5 cm 未満の物体にコイル状に巻かないでください。ケーブルが損傷することがあります。

6. 保管前にセンサを清掃します。センサの取扱説明書を参照してください。
7. 長期間保管する場合は、単一電池を取り外します。図 5 183 ページまたは 電池の取り付け—HL7 ゾンデ 183 ページを参照してください。センサを長期保管する場合、これ以外の準備作業は必要ありません。

図 16 保管または移動のための準備



長期保管後に使用するための準備

本器を 1 か月以上保管した後に使用する場合は、次の手順に従います。

1. 必要に応じてセンサの電解液を交換します。
2. センサを校正します。校正 185 ページを参照してください。

センサの水への浸し

センサが乾燥した場合は、使用する前に水に浸してください。

注: 溶存ガスセンサ全体を濡れたままにしないでください。センサのメンブランが損傷します。

トラブルシューティング

トラブルシューティングの情報については、『Hydrolab Operating Software Manual』を参照してください。『Hydrolab Operating Software Manual』を参照するには、Hydrolab Operating Software を起動して、[Help (ヘルプ)] をクリックし、[Hydrolab Operating Software Help (Hydrolab Operating Software ヘルプ)] を選択します。

交換パーツとアクセサリ

警告



負傷の危険。未承認の部品を使用すると、負傷、装置の破損、または装置の誤作動を招く危険性があります。このセクションでの交換部品は、メーカーによって承認済みです。

注: プロダクト番号とカタログ番号は、一部の販売地域では異なる場合があります。詳細は、取り扱い販売店にお問い合わせください。お問い合わせ先については、当社の Web サイトを参照してください。

交換部品—HL4 ゾンデ

説明	アイテム番号
バッテリー収納部スリーブ、HL4 ゾンデ	9047300
バッテリー端子カバー、HL4 ゾンデ	9032000
ゴム製バンパー、エンド、HL4 ゾンデ	9383100
ゴム製バンパー、ミドル、HL4 ゾンデ	9383200
キャップ、ストレージ/校正容器、HL4 ゾンデ	9040900
Oリング、バッテリーコンパートメント、HL4 ゾンデ ¹⁷	9048400
Oリング、ストレージ/校正容器とキャップ、HL4 ゾンデ	002811
メンテナンスキット、ワイパー付き濁度センサ、HL4 ゾンデ	9480800
センサガード、標準、HL4 ゾンデ	9383700
センサガード、標準(重量あり)、HL4 ゾンデ	9044100
センサガード、拡張、HL4 ゾンデ	9383800
センサガード、拡張(重量あり)、HL4 ゾンデ	8734500
センサガード重り、HL4 ゾンデ	9383900
輸送用箱、HL4 ゾンデ	9309100
ストレージ/校正容器、標準、HL4 ゾンデ	003306
ストレージ/校正容器、拡張、HL4 ゾンデ	003395HY

交換部品—HL7 ゾンデ

説明	アイテム番号
バッテリーパック	HL7 バッテリーパック
キャップ、ストレージ/校正容器、HL7 ゾンデ	003609HY
Oリング、ストレージ/校正容器とキャップ、HL7 ゾンデ	000568
センサガード(重り付き)、HL7 ゾンデ	8457100
輸送用箱、HL7 ゾンデ	8490400
ストレージ/校正容器、HL7 ゾンデ	003608
メンテナンスキット、濁度センサ(集中洗浄ブラシおよびワイパー付き)、HL7 ゾンデ	9480900

交換部品—HL4 ゾンデおよび HL7 ゾンデ

説明	アイテム番号
校正ケーブル	9310600
ダストキャップ、USB A コネクタ	9046200
ダストキャップ、5 ピンコネクタ	9046100
ダストキャップ、DC 電源コネクタ	9046000

¹⁷ HL4 ゾンデには 4 個が必要です。

交換部品—HL4 ソンデおよび HL7 ソンデ（続き）

説明	アイテム番号
通信モジュール、USB	6748600
Hydrolab Operating Software、DVD	9512900
メンテナンスキット、標準基準電極、以下を含む: O-リング (000467HY)、塩錠 (005376HY)、PTFE 接合 (000548HY)、電解液 (005308HY)	014660HY
メンテナンスキット、キャップ交換キット、LDO センサ	007460
メンテナンスキット、内蔵基準電極付き pH センサ、以下を含む: O-リング (003396HY)、シリンジ、¼-インチドライバ、塩錠 (005376HY)、PTFE 接合 (002770HY)、電解液 (005308HY)	013410HY
係留キャップ	9310500
電源アダプター、AC	002782
シリコングリースパケット、0.25 oz	000298HY

アクセサリ

説明	アイテム番号
通信モジュール、USB	6748600
通信モジュール、SDI-12	9039600
通信モジュール、RS485 Modbus	9039700
通信モジュール、RS232、RS232 Modbus	9039800
通信モジュール、RS232 TTY	9312900
ダストキャップキット、通信モジュール、以下を含む:	8808200
ダストキャップ、DC 電源コネクタ	9046000
ダストキャップ、5 ピンコネクタ	9046100
ダストキャップ、USB A コネクタ	9046200
ダストキャップ、DB9 コネクタ	9045900
フィールドケーブル、5 m	CZ005
フィールドケーブル、10 m	CZ010
フィールドケーブル、15 m	CZ015
フィールドケーブル、25 m	CZ025
フィールドケーブル、30 m	CZ030
フィールドケーブル、50 m	CZ050
フィールドケーブル、75 m	CZ075
フィールドケーブル、100 m	CZ100
フィールドケーブル、150 m	CZ150
フィールドケーブル、200 m	CZ200
フィールドケーブルキャップ、ウェットエンド	9714500
フローセル、HL4	014880

アクセサリ (続き)

説明	アイテム番号
フローセル、HL4 (延長センサ付き)	013520HY
フローセル、HL7	014120

Spis treści

Dane techniczne na stronie 202

Ogólne informacje na stronie 203

Uruchomienie na stronie 207

Użytkowanie na stronie 210

Konserwacja na stronie 219

Rozwiązywanie problemów na stronie 223

Części zamienne i akcesoria na stronie 224

Dane techniczne

Dane techniczne mogą ulec zmianie bez uprzedzenia.

Dane techniczne	Szczegółowe informacje
Wymiary	HL4: \varnothing 4,44 cm (1,75 in.) bez ochronnych pierścieni; \varnothing 5,33 cm (2,1 in.) z pierścieniami ochronnymi. Długość — 51,43 cm (20,25 in.) bez wewnętrznego modułu baterii i standardowej osłony czujnika; 66,36 cm (26,125 in.) bez wewnętrznego modułu baterii i przedłużoną osłoną czujnika; 62,23 cm (24,5 in.) z wewnętrznym modulem baterii i standardową osłoną czujnika; 77,787 cm (30,625 in.) z wewnętrznym modulem baterii i przedłużoną osłoną czujnika HL7: \varnothing 8,9 cm (3,5 in.) bez ochronnych pierścieni; \varnothing 9,6 cm (3,78 in.) z pierścieniami ochronnymi. Długość — 66,4 cm (26,1 in.)
Waga	HL4: 2,2 kg (5 lb) z wewnętrznym modulem baterii, jedną baterią typu D i kubkiem kalibracyjnym bez cieczy HL7: 4,5 kg (10 lb) z czterema bateriami typu D i kubkiem kalibracyjnym bez cieczy
Wymagania dotyczące zasilania	HL4: 6–24 VDC (znamionowo 12 VDC) w module komunikacyjnym, 12 VDC: 250 mW średnio, 18 W szczytowo HL7: 6–24 VDC (znamionowo 12 VDC) w module komunikacyjnym, 12 VDC: 2,0 W średnio, 24 W szczytowo
Wewnętrzny moduł baterii ¹	HL4: Jedna wewnętrzna bateria alkaliczna typu D, bez możliwości ładowania. Około 75 dni użytkowania z 15-minutowym interwałem zapisu i domyślnym czasem nagrzewania z zainstalowanymi czujnikami głębokości, temperatury, przewodności, pH i LDO oraz w temperaturze pokojowej. HL7: Cztery wewnętrzne baterie alkaliczne typu D, bez możliwości ładowania. Około 90 dni użytkowania z 15-minutowym interwałem zapisu i domyślnym czasem nagrzewania z zainstalowanymi czujnikami temperatury, przewodności, pH, LDO, chlorofilu a, niebiesko-zielonych glonów (woda słodka) i zmętnienia, siarkowa szcztotka czyszcząca ustawioną do wykonywania jednego obrotu oraz czujnikami, w temperaturze pokojowej.
Temperatura pracy ²	–5 do 50°C (23 do 122°F), bez zamarzania
Temperatura składowania	od 1 do 50°C (od 34 do 122°F)
Głębokość	maks. 200 m (656 ft) Uwaga: Niektóre czujniki nie mogą być używane na głębokości 200 m (656 ft). Dane techniczne dotyczące głębokości znajdują się w dokumentacji czujnika.
Wytrzymałość na rozciąganie (maksymalna)	Nakrętka zabezpieczająca
Czujniki	HL4: Czujnik temperatury, cztery porty czujników zewnętrznych i opcjonalny wewnętrzny czujnik głębokości HL7: Czujnik temperatury, siedem portów czujników zewnętrznych i opcjonalny wewnętrzny czujnik głębokości Dane techniczne czujnika znajdują się w dokumentacji czujnika.

¹ Opcja w przypadku HL4

² Praca poza tym zakresem temperatur może spowodować uszkodzenia mechaniczne lub błędną pracę układu elektronicznego.

Dane techniczne	Szczegółowe informacje
Komunikacja	Moduł komunikacyjny: USB, SDI-12, RS232 Modbus, RS485 Modbus i RS232 TTY
Rejestrowanie	4 GB pamięć wewnętrzna ³ ; minimalny 1 sekundowy odstęp
Certyfikaty	Oznaczenie CE. Inne certyfikaty mogą ulec zmianie. Skontaktuj się z producentem.

Ogólne informacje

W żadnym przypadku producent nie ponosi odpowiedzialności za bezpośrednie, pośrednie, specjalne, przypadkowe lub wtórne szkody wynikające z błędu lub pominięcia w niniejszej instrukcji obsługi. Producent zastrzega sobie prawo do dokonania zmian w niniejszej instrukcji obsługi i w produkcie, której dotyczy w dowolnym momencie, bez powiadomienia lub zobowiązania. Na stronie internetowej producenta można znaleźć poprawione wydania.

Informacje dotyczące bezpieczeństwa

POWIADOMIENIE

Producent nie ponosi odpowiedzialności za ewentualne szkody wynikłe z niewłaściwego stosowania albo użytkowania tego produktu, w tym, bez ograniczeń za szkody bezpośrednie, przypadkowe i wtórne, oraz wyklucza odpowiedzialność za takie szkody w pełnym zakresie dozwolonym przez obowiązujące prawo. Użytkownik jest wyłącznie odpowiedzialny za zidentyfikowanie krytycznych zagrożeń aplikacji i zainstalowanie odpowiednich mechanizmów ochronnych procesów podczas ewentualnej awarii sprzętu.

Prosimy przeczytać całą niniejszą instrukcję obsługi przed rozpakowaniem, włączeniem i rozpoczęciem użytkowania urządzenia. Należy zwrócić uwagę na wszystkie informacje dotyczące niebezpieczeństwa i kroków zapobiegawczych. Niezastosowanie się do tego może spowodować poważne obrażenia obsługującego lub uszkodzenia urządzenia.

Należy upewnić się, czy systemy zabezpieczające wbudowane w urządzenie pracują prawidłowo. Nie używać ani nie instalować tego urządzenia w inny sposób, aniżeli podany w niniejszej instrukcji.

Korzystanie z informacji o zagrożeniach

▲ NIEBEZPIECZEŃSTWO

Wskazuje potencjalnie lub bezpośrednio niebezpieczną sytuację, która — jeśli się jej nie zapobiegnie — doprowadzi do śmierci lub poważnych obrażeń.

▲ OSTRZEŻENIE

Wskazuje na potencjalną lub bezpośrednią niebezpieczną sytuację, która, jeżeli się jej nie uniknie, może doprowadzić do śmierci lub ciężkich obrażeń.

▲ UWAGA

Wskazuje na potencjalnie niebezpieczną sytuację, która może doprowadzić do mniejszych lub umiarkowanych obrażeń.



POWIADOMIENIE

Wskazuje sytuację, która – jeśli się jej nie uniknie – może doprowadzić do uszkodzenia urządzenia. Informacja, która wymaga specjalnego podkreślenia.

Etykiety ostrzegawcze

Przeczytaj wszystkie etykiety dołączone do urządzenia. Nieprzestrzeganie tych instrukcji może spowodować urazy ciała lub uszkodzenie urządzenia. Symbol umieszczony na urządzeniu jest zamieszczony w podręczniku i opatrzonej informacją o należytych środkach ostrożności.

³ Pojemność pamięci pozwala na zachowanie 5 lat ciągłych pomiarów z 15-minutowym interwałem zapisu

	<p>Ten symbol, jeżeli znajduje się on na przyrządzie, odsyła do instrukcji obsługi i/lub informacji dotyczących bezpieczeństwa.</p>
	<p>Urządzeń elektrycznych oznaczonych tym symbolem nie wolno wyrzucać do europejskich publicznych systemów utylizacji odpadów. Wyeksploatowane urządzenia należy zwrócić do producenta w celu ich utylizacji. Producent ma obowiązek przyjąć je bez pobierania dodatkowych opłat.</p>

Certyfikaty

Kanadyjska regulacja prawna dotycząca sprzętu powodującego zakłócenia odbioru radiowego, IECS-003, klasa A:

Stosowne wyniki testów dostępne są u producenta.

Ten cyfrowy aparat klasy A spełnia wszystkie wymogi kanadyjskich regulacji prawnych dotyczących sprzętu powodującego zakłócenia.

Cet appareil numérique de classe A répond à toutes les exigences de la réglementation canadienne sur les équipements provoquant des interférences.

FCC Część 15, Ograniczenia Klasy "A"

Stosowne wyniki testów dostępne są u producenta. Niniejsze urządzenie spełnia warunki Części 15 Zasad FCC. Przy pracy obowiązują poniższe warunki:

1. Sprzęt nie może powodować szkodliwego zakłócenia.
2. Sprzęt musi akceptować wszelkie odbierane zakłócenia, w tym zakłócenia, które mogą powodować niepożądane działanie.

Zmiany oraz modyfikacje tego urządzenia, które nie zostały wyraźnie zaakceptowane przez stronę odpowiedzialną za zgodność, mogą spowodować pozbawienie użytkownika upoważnienia do korzystania z niniejszego urządzenia. To urządzenie zostało przetestowane i odpowiada ograniczeniom dla urządzenia cyfrowego klasy A, stosownie do części 15 zasad FCC. Ograniczenia te zostały wprowadzone w celu zapewnienia należytej ochrony przed szkodliwymi zakłóceniami, gdy urządzenie jest użytkowane w środowisku komercyjnym. Niniejsze urządzenie wytwarza, używa i może wydzielać energię o częstotliwości radiowej oraz, jeśli nie jest zainstalowane i używane zgodnie z instrukcją obsługi, może powodować szkodliwe zakłócenia w łączności radiowej. Istnieje prawdopodobieństwo, że wykorzystywanie tego urządzenia w terenie mieszkalnym może spowodować szkodliwe zakłócenia. W takim przypadku użytkownik jest zobowiązany do usunięcia zakłóceń na własny koszt. W celu zmniejszenia problemów z zakłóceniami można wykorzystać poniższe metody:

1. Odłączyć urządzenie od źródła zasilania, aby zweryfikować, czy jest ono źródłem zakłóceń, czy też nie.
2. Jeśli sprzęt jest podłączony do tego samego gniazdka co urządzenie wykazujące zakłócenie, podłączyć sprzęt do innego gniazdka.
3. Odsunąć sprzęt od zakłócanego urządzenia.
4. Zmienić pozycję anteny odbiorczej urządzenia zakłócanego.
5. Spróbować kombinacji powyższych metod.

Informacje o produkcji

POWIADOMIENIE

Nie używać sondy z serii HL w zanieczyszczonej wodzie, która może doprowadzić do uszkodzenia czujników lub obudowy (np. silne kwasy lub zasady, wysokie stężenia rozpuszczalników organicznych, olej/tłuszcz, metale toksyczne lub radioaktywna woda).

Sonda z serii HL służy do pomiaru punktowego lub długoterminowej rejestracji parametrów wody (słodkiej i stonej) w środowisku naturalnym. Zobacz [Rysunek 1](#) i [Rysunek 2](#). Parametry mierzone

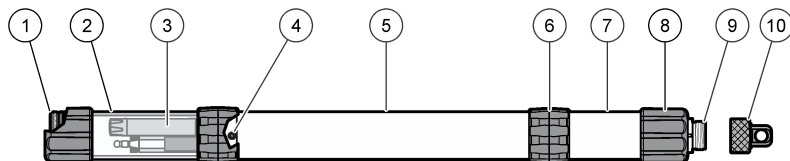
przez sondę są zidentyfikowane na ekranie ustawień sondy i czujnika oprogramowania operacyjnego Hydrolab Operating Software.

Sonda HL4 jest wyposażona w czujnik temperatury, cztery porty czujników zewnętrznych oraz opcjonalny czujnik wewnętrzny głębokości. Do czterech portów czujników zewnętrznych można podłączyć maksymalnie cztery różne czujniki.

Sonda HL7 jest wyposażona w czujnik temperatury, siedem portów czujników zewnętrznych oraz opcjonalny czujnik wewnętrzny głębokości. Siedem zewnętrznych portów czujników służy do podłączenia maksymalnie siedmiu różnych czujników lub sześciu różnych czujników i opcjonalnej centralnej szczotki czyszczącej.

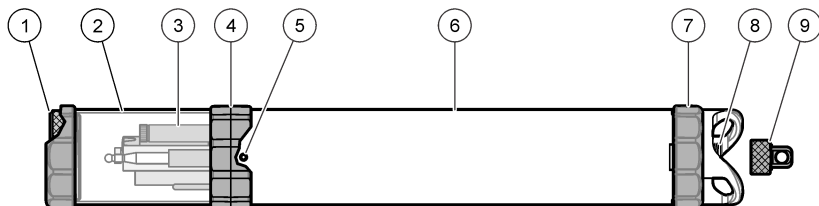
Aby uzyskać informacje o zainstalowanych czujnikach, należy wyświetlić ekran ustawień czujników oprogramowania operacyjnego Hydrolab Operating Software. Wszystkie czujniki są montowane fabrycznie, ich wymiana nie jest możliwa przez użytkownika bez zgody producenta.

Rysunek 1 Sonda HL4 — ogólne informacje o przyrządzie



1 Zakrętka kubka kalibracyjnego	6 Środkowy pierścień ochronny (2x) ⁶
2 Kubek kalibracyjny ⁴	7 Pojemnik na baterie ⁷
3 Czujniki w buforze z paskiem pH 4 przezroczystym	8 Górny pierścień ochronny (2x) ⁶
4 Śruba ustalająca (2x) ⁵	9 Złącze
5 Obudowa	10 Nakrętka zabezpieczająca

Rysunek 2 Sonda HL7 — ogólne informacje o przyrządzie



1 Zakrętka kubka kalibracyjnego	6 Obudowa
2 Kubek kalibracyjny	7 Górny pierścień ochronny (2x) ⁶
3 Czujniki w buforze z paskiem pH 4 przezroczystym	8 Złącze
4 Środkowy pierścień ochronny ⁶	9 Nakrętka zabezpieczająca
5 Śruba ustalająca (3x) ⁵	

Elementy produktu

Sprawdzić, czy wszystkie elementy znajdują się w dostarczonym zestawie. Zobacz [Rysunek 3](#) lub [Rysunek 4](#). Jeżeli brakuje któregoś z elementów zestawu lub nastąpiło jego uszkodzenie, należy niezwłocznie skontaktować się z producentem lub przedstawicielem handlowym.

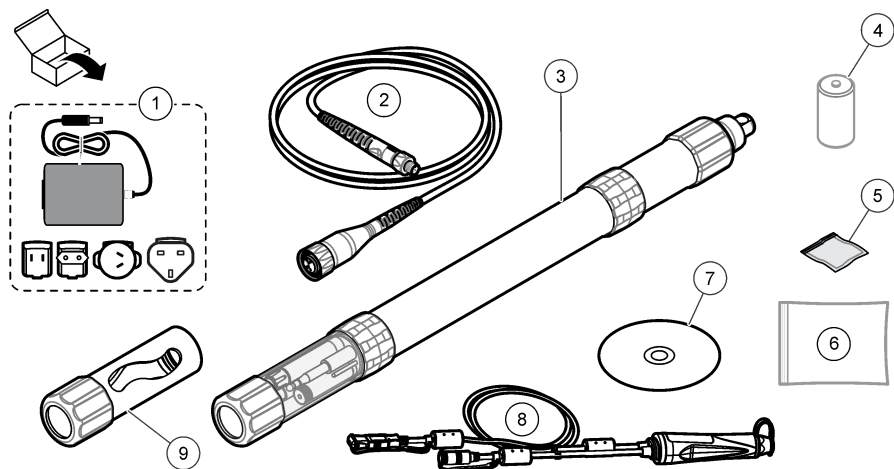
⁴ Pokazana jest wersja standardowa.

⁵ Tylko do użytku przez producenta

⁶ Wyjąć środkowe i górne gumowe pierścienie ochronne, które są niezbędne do korzystania z urządzenia w ciasnych przestrzeniach, np. studzienkach.

⁷ Urządzenia tylko z wewnętrznym modulem baterii

Rysunek 3 Sonda HL4 — elementy przyrządu



1 Zasilacz AC	6 Zestaw(-y) do konserwacji czujnika ¹⁰
2 Kabel kalibracji ⁸	7 Płyta DVD z oprogramowaniem operacyjnym Hydrolab Operating Software
3 Sonda HL4	8 Moduł komunikacji USB
4 Bateria alkaliczna typu D ⁹	9 Osłona czujników z obciążnikiem ¹¹
5 Pakiet smaru silikonowego, 0,25 oz	

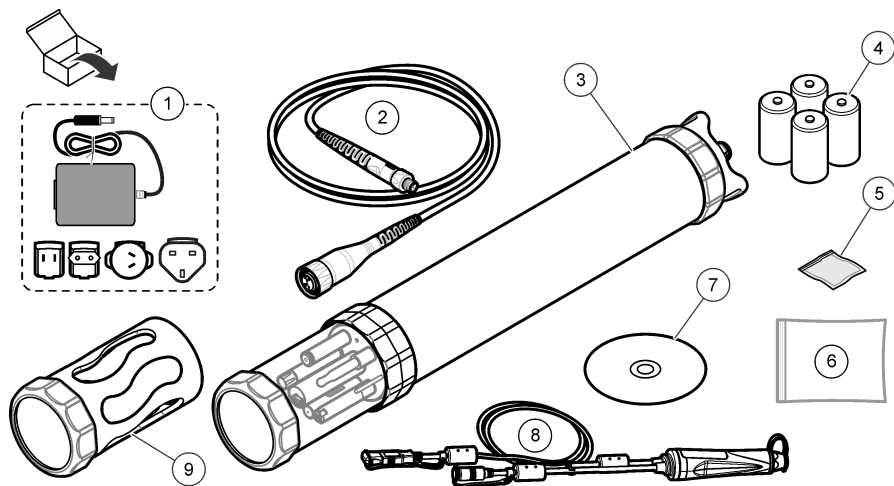
⁸ Nie używać w wodzie. Wystąpi uszkodzenie urządzenia.

⁹ Dostarczany do urządzenia w wersji z wewnętrznym modulem baterii

¹⁰ Dostarczany z niektórymi czujnikami.

¹¹ Pokazana jest wersja standardowa.

Rysunek 4 Sonda HL7 — elementy przyrządu



1 Zasilacz AC	6 Zestaw(-y) do konserwacji czujnika ¹⁰
2 Kabel kalibracyjny ⁸	7 Płyta DVD z oprogramowaniem operacyjnym Hydrolab Operating Software
3 Sonda HL7	8 Moduł komunikacji USB
4 Bateria alkaliczna typu D (4x)	9 Osłona czujników z obciążnikiem
5 Smar silikonowy, 0,25 uncji	

Uruchomienie

Instalacja baterii — sonda HL4

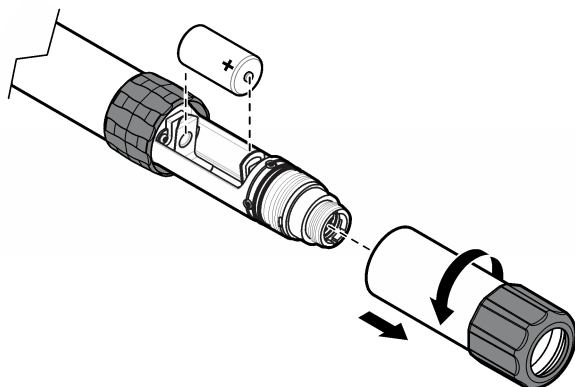
▲ OSTRZEŻENIE



Zagrozenie wybuchem. Niewłaściwie zainstalowane baterie mogą uwalniać gazy wybuchowe. Upewnij się, że bateria jest odpowiedniego typu i, czy została zainstalowana we właściwy sposób z zachowaniem biegunowości.

Dla urządzeń z wewnętrznym zestawem baterii, należy zainstalować baterię. Patrz [Rysunek 5](#).

Rysunek 5 Instalacja baterii



Instalacja baterii — sonda HL7

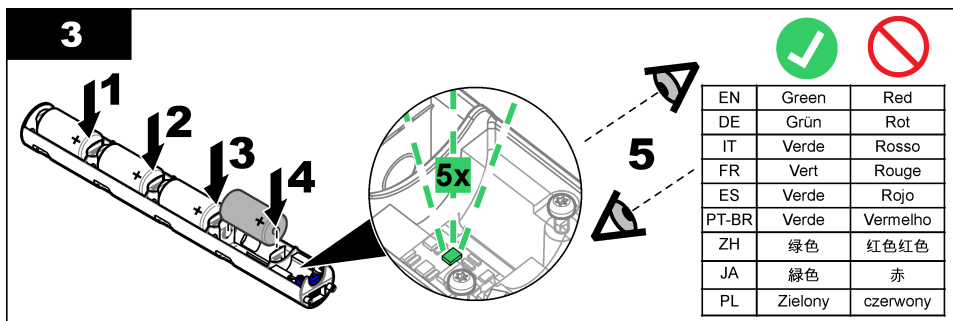
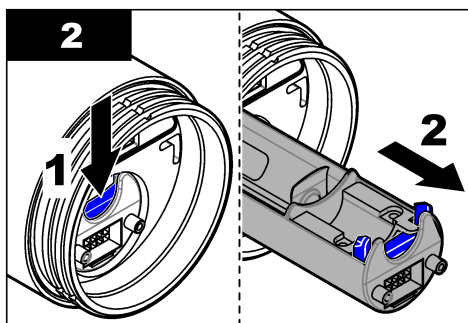
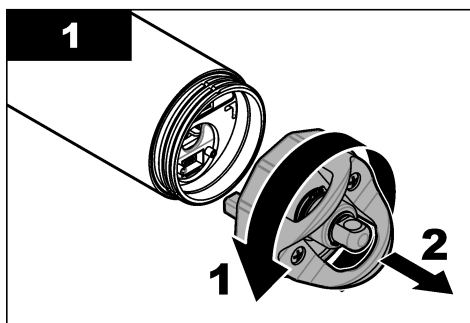
⚠ OSTRZEŻENIE

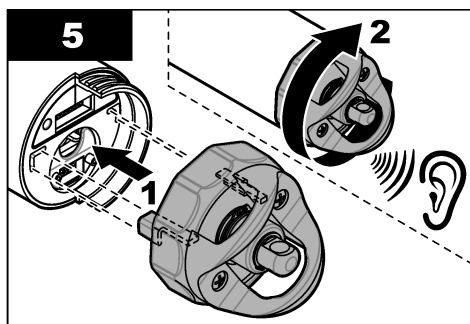
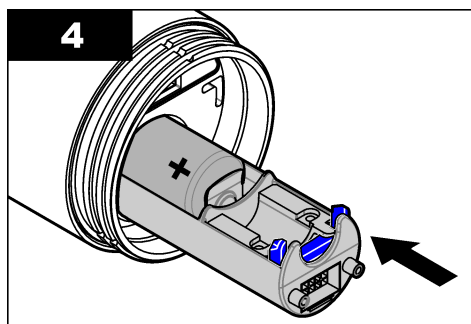


Zagrożenie wybuchem. Niewłaściwie zainstalowane baterie mogą uwalniać gazy wybuchowe. Upewnić się, że bateria jest odpowiedniego typu i że została zainstalowana we właściwy sposób z zachowaniem biegunowości. Nie używać razem zużytych i nowych baterii. Nie instalować jednocześnie baterii różnych producentów. Nie wolno używać uszkodzonych akumulatorów.

Należy zainstalować cztery znajdujące się w zestawie baterie typu D. Sprawdzić listę kolejnych czynności na rysunku.

Po zainstalowaniu ostatniej baterii kontrolka świetlna baterii błyska na zielono. Jeśli kontrolka baterii błyska czerwonym światłem, bateria nie ma wystarczającego zapasu energii.





Instalacja oprogramowania

Instalacja oprogramowania operacyjnego Hydrolab na komputerze.

Co należy przygotować:

- Komputer z systemem Windows XP SP3 lub nowszym
- Płyta DVD z oprogramowaniem operacyjnym Hydrolab Operating Software

1. Włożyć płytę DVD do komputera. Uruchomi się program instalacyjny.
2. Aby zainstalować oprogramowanie należy postępować zgodnie z instrukcjami wyświetlanymi na ekranie.

Podłączenie do komputera

Podłączyć urządzenie do komputera.

Co należy przygotować:

- Komputer z oprogramowaniem operacyjnym Hydrolab
- Kabel kalibracyjny lub opcjonalny kabel pomiarowy
- Moduł komunikacyjny
- Zasilacz¹²

1. Podłączyć urządzenie do komputera. Patrz [Rysunek 6](#).

Aby usunąć nakrętkę zabezpieczającą, należy obracać jej dolną część. Górna część nakrętki nie obraca się podczas jej montowania.

Uwaga: [Rysunek 6](#) przedstawia sondę HL4. Czynności są identyczne, co w przypadku sondy HL7.

Sposób podłączenia do zasilacza czy modułu komunikacyjnego innego niż pokazany, przedstawiony jest w dokumentacji dołączonej do zasilacza lub/i modułu komunikacyjnego.

Uwaga: Zewnętrzny zasilacz nie jest wymagany dla urządzeń z wewnętrznym modulem baterii. Zaleca się wyjąć baterie, gdy używany jest zewnętrzny zasilacz.

2. Przy pierwszym podłączeniu modułu komunikacyjnego USB (i przy każdym następnym podłączeniu do innego portu USB) postępuj zgodnie ze wskazówkami:
 - a. System Windows wyświetli monit z informacją, że nowe urządzenie zostało wykryte i otworzy się okno kreatora. Wybrać polecenie **Nie, nie tym razem**, aby wyszukać oprogramowanie, a następnie kliknąć przycisk **Dalej**.
 - b. Wybrać polecenie **Zainstaluj oprogramowanie automatycznie (Zalecane)**, a następnie kliknąć przycisk **Dalej**. Płyta DVD nie jest konieczna.
System Windows zainstaluje sterownik dla modułu komunikacyjnego.

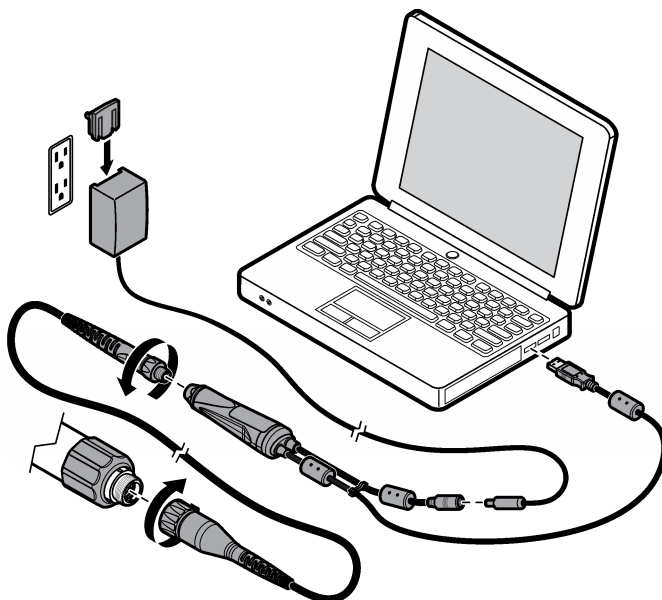
¹² Opcjonalny dla urządzeń z wewnętrznym modulem baterii

- U uruchomić oprogramowanie operacyjne Hydrolab. Podłączone urządzenia pokażą się w polu Połącz z urządzeniem.

Uwaga: Jeśli krok 2 nie zostanie wykonany podczas instalacji, urządzenie nie pokaże się w polu Połącz z urządzeniem.

- Wybrać urządzenie, a następnie kliknąć przycisk **Podłącz**.

Rysunek 6 Podłączenie urządzenia do komputera



Użytkowanie

Konfiguracja

Informacje na temat konfiguracji ustawień oprogramowania, przyrządu i czujników znajdują się w *Instrukcji oprogramowania operacyjnego Hydrolab Operating Software*. Aby wyświetlić *Instrukcję oprogramowania operacyjnego Hydrolab Operating Software*, należy uruchomić oprogramowanie operacyjne Hydrolab, kliknąć opcję Help (Pomoc) oraz opcję Hydrolab Operating Software Help (Pomoc oprogramowania operacyjnego Hydrolab).

Kalibracja

▲ UWAGA



Narażenie na działanie substancji chemicznych. Stosować się do procedur bezpieczeństwa w laboratoriach i zakładać sprzęt ochrony osobistej, odpowiedni dla używanych substancji chemicznych. Protokoły warunków bezpieczeństwa można znaleźć w aktualnych kartach charakterystyki (MSDS/SDS) materiałów.

▲ UWAGA



Narażenie na działanie substancji chemicznych. Usuwać substancje chemiczne i odpady zgodnie z przepisami lokalnymi, regionalnymi i państwowymi.

Czujniki należy kalibrować przed pierwszym użyciem, w regularnych odstępach czasu oraz po konserwacji czy modyfikacji czujnika. Okresowo należy przeprowadzać sprawdzenie wskazań, aby upewnić się, że pomiary nadal nie wykraczają poza zakres tolerancji.

Informacje dotyczące wykonania poniższych czynności zawiera dokument *Hydrolab Operating Software Manual* (Podręcznik do obsługi oprogramowania Hydrolab):

- Rozpocząć kalibrację czujnika.
- Rozpocząć kontrolę kalibracji.
- Ustawić tryb kalibracji.
- Wybrać jednostki miary wyświetlane podczas kalibracji i kontroli kalibracji.
- Wyświetlanie historii kalibracji.

Zapoznać się z treścią dokumentu *Hydrolab Operating Software Manual* (Podręcznik do obsługi oprogramowania Hydrolab), uruchomić oprogramowanie operacyjne Hydrolab, kliknąć opcję Help (Pomoc) i wybrać pozycję Hydrolab Operating Software Help (Pomoc do oprogramowania operacyjnego Hydrolab).

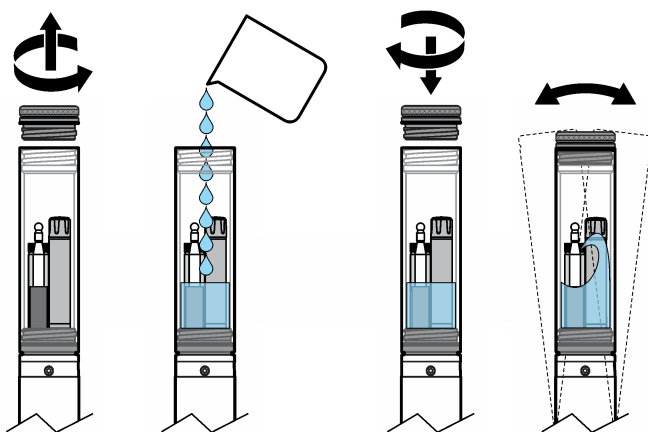
Po rozpoczęciu kalibracji lub kontroli kalibracji zostają wyświetlone instrukcje krok po kroku dotyczące postępowania z czujnikiem.

Przygotowanie czujników do kalibracji

Przed każdą kalibracją, aby zapobiec zanieczyszczeniu roztworów wzorcowych, należy przepłukać wodą kubek kalibracyjny i dokładnie wyczyścić wszystkie czujniki.

1. Przepłukać kubek kalibracyjny czystą wodą.
2. Wyczyścić czujniki. Instrukcje znajdują się w dokumentacji czujnika.
3. Przepłukać czujniki co najmniej trzy razy wodą dejonizowaną. Patrz [Rysunek 7](#).
Uwaga: Rysunek 7 przedstawia sondę HL4. Czynności są identyczne, co w przypadku sondy HL7.
4. Przepłukać czujniki co najmniej dwa razy roztworem kalibracyjnym. Patrz [Rysunek 7](#).
Aby uzyskać najlepsze wyniki, należy osuszyć wszystkie elementy z zdemineralizowanej i roztworu kalibracyjnego po każdym płukaniu.

Rysunek 7 Płukanie czujników



Wytyczne dotyczące stosowania

POWIADOMIENIE

Aby nie doprowadzić do zalania złącza elektrycznego, przed każdym użyciem sondy należy zamontować zakrętkę zabezpieczającą lub podłączyć kabel do urządzenia. Podczas używania nie używać kabla kalibracji, ze względu na możliwość zawilgocenia złącza.

POWIADOMIENIE

Przed użyciem zawsze montować osłonę czujników, gdyż może dojść do ich uszkodzenia.

- Nie obciążać dodatkowo urządzenia ciężarem przekraczającym 68 kg (150 lb), gdy używana jest zakrętka zabezpieczająca.
- Nie obciążać dodatkowo urządzenia ciężarem przekraczającym 113 kg (250 lb), gdy używany jest kabel pomiarowy.
- Nie zawieszать ciężkich przedmiotów na osłonie czujnika. Dane dotyczące wytrzymałości na rozciąganie nasadki cumowania i kabla prowadzącego znajdują się w rozdziale [Dane techniczne](#) na stronie 202.

Konserwacja kabla

- Smarować powierzchnię uszczelniającą nakrętki zabezpieczającej i opcjonalnego kabla pomiarowego smarem silikonowym nałożonym na wacik w regularnych odstępach czasu oraz w razie potrzeby.
- Przechowywać wszystkie kable, które nie są wodoodporne (wszystkie kable z wyjątkiem kabla pomiarowego) w czystym, suchym i nie powodującym korozji środowisku. Jeśli kabel zostanie zabrudzony lub zawilgocony, należy go przed użyciem wyczyścić i/lub wysuszyć na powietrzu.
- Kable, które nie są wodoodporne, nie zwiąć w okręgi o średnicy mniejszej niż 30,5 cm (12 cali), gdyż może dojść do ich uszkodzenia.
- Nie wiązać kabli w węzły lub używać zacisków do zaznaczania głębokości.
- Nie należy zginać ani nawijać kabla pomiarowego na bęben o promieniu mniejszym niż 10 cm (4 cale) lub średnicy 20 cm (8 cali).
- Używać kołowrotka ze wspomaganiami lub z ręczną korbą wyposażonego w elektryczne pierścienie ślizgowe do obniżenia i podnoszenia urządzenia, jeśli kable są bardzo długie. W przypadku krótszych kabli można używać lżejszego kołowrotka bez pierścieni ślizgowych.

Pomiary punktowe

POWIADOMIENIE

Nie należy umieszczać urządzeń w miejscach, w których kabel pomiarowy może zostać przecięty lub uszkodzony przez śrubę łodzi lub inne poruszające się obiekty.

Wykorzystanie komputera

Co należy przygotować:

- Komputer z oprogramowaniem operacyjnym Hydrolab
 - Osłona czujników
 - Kabel pomiarowy
 - Moduł komunikacji USB
 - Zasilacz¹³
1. Podłączyć urządzenie do komputera. Patrz [Podłączenie do komputera](#) na stronie 209. Upewnić się, że do sondy podłączony jest kabel pomiarowy, a nie kalibracyjny.
 2. Usunąć kubek kalibracyjny. Patrz [Rysunek 8](#). Zachować kubek kalibracyjny do późniejszego wykorzystania.
Uwaga: [Rysunek 8](#) przedstawia sondę HL4. Czynności są identyczne, co w przypadku sondy HL7.

¹³ Opcjonalny dla urządzeń z wewnętrznym zestawem baterii

3. Montaż osłony czujnika. Patrz [Rysunek 8](#).

Nie dopuścić do wysuszenia czujników.

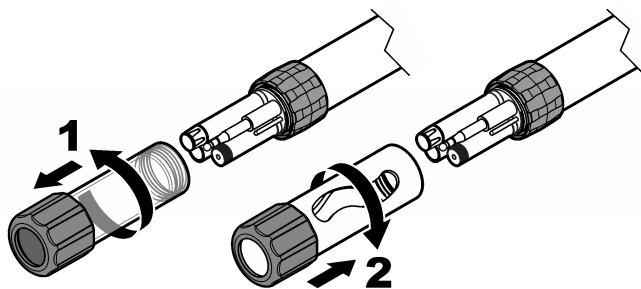
4. Zanurzyć urządzenie w wodzie, w której ma być dokonany pomiar. Aby otrzymać najlepsze wyniki, upewnić się, że całe urządzenie jest pod wodą

5. Kliknąć **Monitorowanie**, aby wyświetlać pomiary w czasie rzeczywistym. Informacje na temat pobierania pomiarów i/lub zmiany wyświetlanych danych znajdują się w *Instrukcji oprogramowania operacyjnego Hydrolab Operating Software*.

Uwaga: Aby wyświetlić Instrukcję oprogramowania operacyjnego Hydrolab Operating Software, należy uruchomić oprogramowanie operacyjne Hydrolab, kliknąć opcję *Help (Pomoc)* oraz opcję *Hydrolab Operating Software Help (Pomoc oprogramowania operacyjnego Hydrolab)*.

Po zakończeniu pomiarów należy odpowiednio zabezpieczyć urządzenie. Patrz [Przygotowanie do magazynowania lub transportu](#) na stronie 222.

Rysunek 8 Montaż osłony czujnika



Użytkowanie z całą przepływową

▲ OSTRZEŻENIE

Zagrozenie uszkodzenia ciała. Należy upewnić się, że ciśnienie próbki jest niższe niż 103 kPa (15 psig).

W przypadku monitorowania procesu technologicznego lub wnętrza pompy należy zainstalować w sondzie opcjonalną celę przepływową oraz przepuścić przez nią próbkę wody. Patrz [Rysunek 9](#).

Należy upewnić się, że ciśnienie wody w celi przepływowej nie przekracza 103 kPa (15 psig). W przeciwnym przypadku cela przepływowa może ulec pęknięciu i spowodować szkody.

Co należy przygotować:

- Komputer z oprogramowaniem operacyjnym Hydrolab lub podręczny kontroler Surveyor HL
- Kabel pomiarowy
- Kuweta przepływowa
- Układ rur, 1/2-in.
- Filtr wody (opcja)
- Pompa wody lub syfon (opcja)
- Moduł komunikacji USB (w przypadku korzystania z komputera)
- Zasilacz¹⁴

1. W celu skorzystania z komputera należy podłączyć do niego przyrząd. Patrz [Podłączenie do komputera](#) na stronie 209. Upewnić się, że do sondy podłączony jest kabel pomiarowy, a nie kalibracyjny.

2. W celu skorzystania z kontrolera Surveyor HL należy podłączyć do niego przyrząd. Należy zapoznać się z *Instrukcją obsługi kontrolera Surveyor HL*. Upewnić się, że do sondy podłączony jest kabel pomiarowy, a nie kalibracyjny.

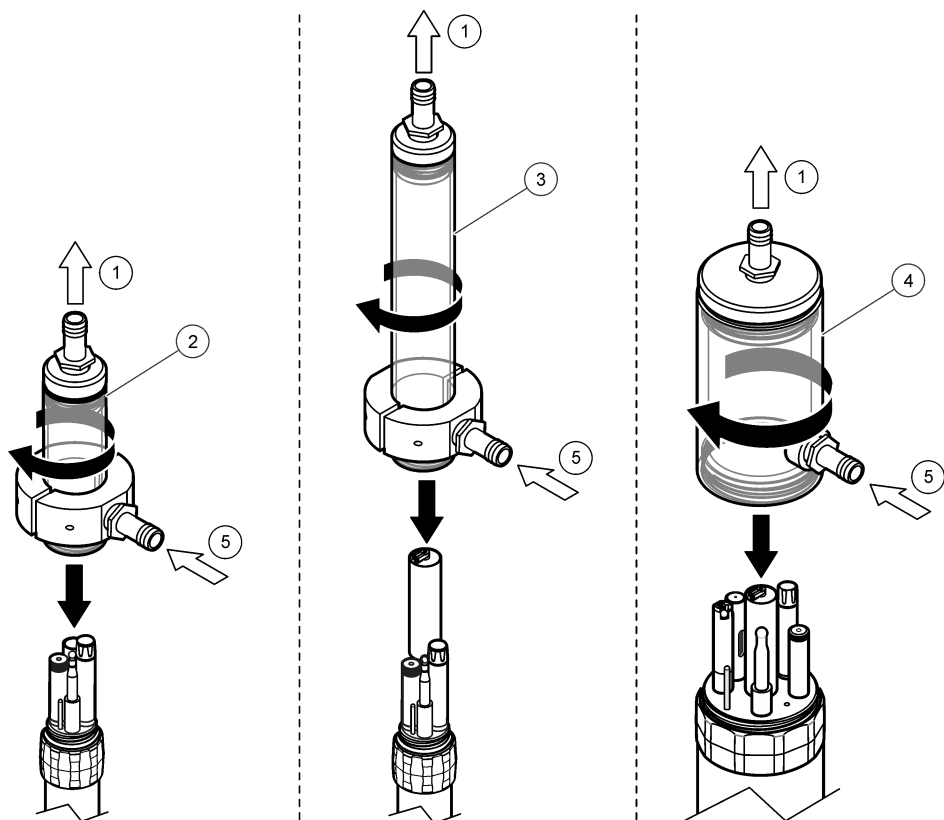
¹⁴ Opcjonalny dla urządzeń z wewnętrznym zestawem baterii

3. Usunąć kubek kalibracyjny. Zachować kubek kalibracyjny do późniejszego wykorzystania.
4. Zainstalować opcjonalną celę przepływową. Patrz [Rysunek 9](#). Nie dopuścić do wysuszenia czujników.
5. Podłączyć dwie rury ½-in. do portu wejściowego i wyjściowego próbek.
6. Przymocować otwartą końcówkę rury wyjściowej próbki do otwartego przewodu odpływowego lub zbiornika.
7. Umieścić otwartą końcówkę rury wejściowej próbki w próbce wody. W razie potrzeby usunąć niepożądany materiał z próbki wody za pomocą filtra.
8. O ile to możliwe odwrócić sondę, aby pęcherzyki zostały usunięte z czujników za pomocą portu usuwania próbki.
9. Rozpocząć przepływ próbki wody do celi przepływowej.
10. Kliknąć **Monitorowanie**, aby wyświetlać pomiary w czasie rzeczywistym. Informacje na temat pobierania pomiarów i/lub zmiany wyświetlanych danych znajdują się w *Instrukcji oprogramowania operacyjnego Hydrolab Operating Software* lub *Instrukcji obsługi kontrolera Surveyor HL*.

Uwaga: Aby wyświetlić Instrukcję oprogramowania operacyjnego Hydrolab Operating Software, należy uruchomić oprogramowanie operacyjne Hydrolab, kliknąć opcję Help (Pomoc) oraz opcję Hydrolab Operating Software Help (Pomoc oprogramowania operacyjnego Hydrolab).

Po zakończeniu pomiarów należy odpowiednio zabezpieczyć urządzenie. Patrz [Przygotowanie do magazynowania lub transportu](#) na stronie 222.

Rysunek 9 Zainstalować celę przepływową



1 Wylot próbki	4 Cella przepływową dla sondy HL7
2 Cella przepływową dla sondy HL4	5 Wlot próbki
3 Cella przepływową dla sondy HL4 z przedłużonym czujnikiem	

Pomiary długoterminowe

Montaż nakrętki zabezpieczającej

Nakrętkę zabezpieczającą można stosować wyłącznie w urządzeniach z wewnętrznym zestawem baterii.

Co należy przygotować:

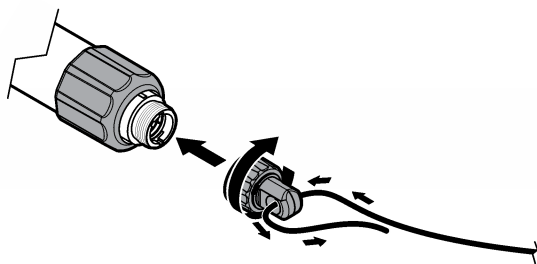
- Komputer z oprogramowaniem operacyjnym Hydrolab
- Osłona czujników
- Nasadka cumowania
- Lina lub linka
- Kabel kalibracji
- Moduł komunikacji USB
- Zasilacz¹⁵

¹⁵ Opcjonalny dla urządzeń z wewnętrznym zestawem baterii

1. W biurze lub w terenie, dodać do urządzenia nowy plik danych.
Pomiary są zapisywane w nowym pliku, zgodnie z wybranym interwałem i zakresem dat.
 - a. Podłączyć urządzenie do komputera. Patrz [Podłączenie do komputera](#) na stronie 209.
 - b. Kliknąć przycisk **Rejestrowanie**, a następnie dodać nowy plik. Patrz *Rejestrowanie* w pomocy online.
 - c. Wybrać **Plik>Odłącz od urządzenia**, aby odłączyć urządzenie od komputera.
Uwaga: Jako rozwiązanie alternatywne, kliknąć **Urządzenia**, wybrać urządzenie, a następnie kliknąć **Odłącz**.
 - d. Odłączyć kabel kalibracyjny od urządzenia.
2. Zamontować nakrętkę zabezpieczającą na urządzeniu. Patrz [Rysunek 10](#). Aby poprawnie ją zamocować, należy obrócić dolną część w prawo.
Uwaga: [Rysunek 10](#) przedstawia sondę HL4. Czynności są identyczne, co w przypadku sondy HL7.
3. W terenie należy przymocować linę lub kabel do nakrętki zabezpieczającej i/lub pałąka (tylko sonda HL7). Patrz [Rysunek 10](#).
4. Usunąć kubek kalibracyjny. Patrz [Rysunek 8](#) na stronie 213. Zachować kubek kalibracyjny do późniejszego wykorzystania.
5. Montaż osłony czujnika. Patrz [Rysunek 8](#) na stronie 213.
Nie dopuścić do wysuszenia czujników.
6. Zanurzyć urządzenie w wodzie, w której ma być dokonany pomiar. Aby otrzymać najlepsze wyniki, upewnić się, że całe urządzenie jest pod wodą
7. Zamocować urządzenie do pławy, kotwicy lub konstrukcji. Patrz [Mocowanie do pławy, kotwicy lub konstrukcji](#) na stronie 218.

Po zakończeniu pomiarów należy odpowiednio zabezpieczyć urządzenie. Patrz [Przygotowanie do magazynowania lub transportu](#) na stronie 222.

Rysunek 10 Montaż nakrętki zabezpieczającej



Pomiar z wykorzystaniem rejestratora danych

Urządzenie może również przysyłać dane w trybie on-line. Aby zapewnić taką funkcjonalność należy je podłączyć do zewnętrznego rejestratora z transmisją danych.

Urządzenie pozostaje w trybie czuwania (sleep) dopóki nie otrzyma z zewnątrz sygnału inicjującego, który powoduje jego włączenie, wykonanie pomiaru i zwrócenie wartości pomiarowych. Opis poleceń SDI-12 i TTY obsługiwanych przez urządzenie znajduje się w pomocy online.

Konfiguracja modułu komunikacyjnego

Co należy przygotować:

- Komputer z oprogramowaniem operacyjnym Hydrolab
- Moduł komunikacyjny

1. W biurze lub w terenie, podłączyć odpowiedni moduł komunikacyjny do portu USB w komputerze.
2. Uruchomić oprogramowanie operacyjne Hydrolab. Podłączony moduł komunikacyjny pojawia się w polu Połącz z urządzeniem.
3. Wybrać moduł komunikacyjny, a następnie kliknąć przycisk **Połącz**. Zostanie wyświetlone okno konfiguracyjne.
4. Skonfigurować moduł komunikacyjny. Patrz *Konfiguracja* w pomocy online.
5. Po ukończeniu konfiguracji, odłączyć kabel komunikacyjny od komputera.
 - a. Wybrać **Plik>Odłącz od urządzenia**, aby odłączyć kabel komunikacyjny od komputera.

*Uwaga: Jako rozwiązanie alternatywne, kliknąć **Urządzenia**, wybrać kabel komunikacyjny, a następnie kliknąć **Odłącz**.*
 - b. Odłączyć kabel komunikacyjny od komputera.

Podłączeniu modułu komunikacyjnego

Co należy przygotować:

- Rejestrator danych lub inny kompatybilny sterownik
- Moduł komunikacyjny (skonfigurowany)
- Zewnętrzny zasilacz, 6-24 VDC (napięcie znamionowe 12 VDC) ¹⁶

1. W terenie podłączyć moduł komunikacyjny do rejestratora lub sterownika. Informacje dotyczące okablowania znajdują się w dokumentacji dołączonej do modułu komunikacyjnego. Wymagania dotyczące okablowania dla transmisji danych znajdują się w rozdziale [Kable do transmisji danych i zasilania](#) na stronie 217.
2. Jeśli moduł komunikacyjny nie może być zasilany przez rejestrator lub sterownik, podłączyć zewnętrzny zasilacz do modułu komunikacyjnego. Wymagania dotyczące okablowania dla zewnętrznego zasilacza znajdują się w rozdziale [Kable do transmisji danych i zasilania](#) na stronie 217.

Kable do transmisji danych i zasilania

Przed podłączeniem kabli do transmisji danych do modułu komunikacyjnego, należy upewnić się, że kabel transmisji jest odpowiedni do prądu roboczego i transfer danych odbywa się bez zakłóceń. Jeśli długość kabli nie przekracza 305 m (1000 ft), wystarczające są kable trzyżyłowe o oznaczeniu 26 AWG.

Przed podłączeniem zewnętrznego zasilacza do modułu komunikacyjnego, należy upewnić się, że do zasilania używane są kable dwużyłowe 18 AWG. Kable zasilania mogą mieć mniejszy przekrój, jeśli zasilacz znajduje się blisko urządzenia.

Korzystanie z urządzenia

Co należy przygotować:

- Kabel pomiarowy
 - Osłona czujników
1. Podłączyć kabel pomiarowy do modułu komunikacyjnego. Upewnić się, że jest to kabel pomiarowy a nie kalibracyjny.
 2. Podłączyć kabel pomiarowy do urządzenia.
 3. Zdjąć kubek kalibracyjny i założyć osłonę czujników. Zachować kubek kalibracyjny do późniejszego wykorzystania. Patrz [Rysunek 8](#) na stronie 213. Nie dopuścić do wysuszenia czujników.

¹⁶ Opcjonalny dla urządzeń z wewnętrznym modułem baterii Nie używać, jeśli moduł komunikacyjny może być zasilany przez rejestrator lub sterownik.

- Zanurzyć urządzenie w wodzie, w której ma być dokonany pomiar. Aby otrzymać najlepsze wyniki, upewnić się, że całe urządzenie jest pod wodą. Nie wkładać modułu komunikacyjnego do wody.
- Zamontować urządzenie wraz z okablowaniem do konstrukcji. Patrz [Mocowanie do pławy, kotwicy lub konstrukcji](#) na stronie 218.

Po zakończeniu pomiarów należy odpowiednio zabezpieczyć urządzenie. Patrz [Przygotowanie do magazynowania lub transportu](#) na stronie 222.

Mocowanie do pławy, kotwicy lub konstrukcji

POWIADOMIENIE

Do mocowania urządzenia nie używać zacisków rurowych ze względu na możliwość uszkodzenia.

Podczas pomiarów długoterminowych należy zawsze mocować urządzenie do pławy, kotwicy lub konstrukcji.

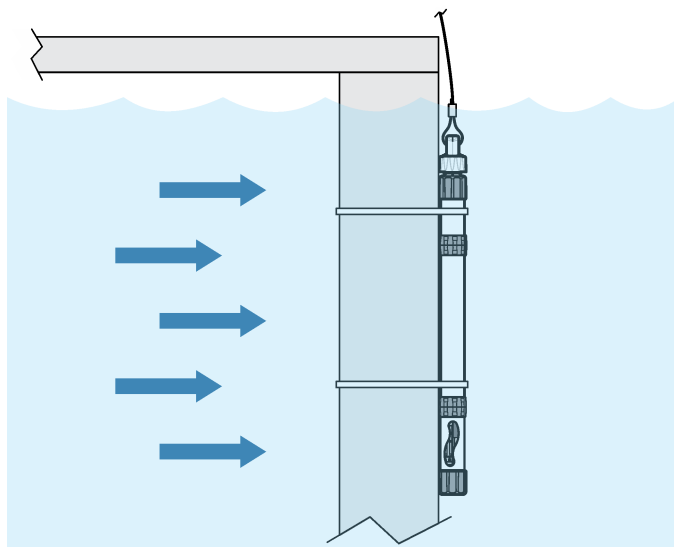
Zlecany jest montaż tylko w miejscu:

- Gdzie nie dojdzie do uszkodzenia urządzenia z powodu pływających materiałów, piasku, żwiru, mułu, ruchu statków lub aktu wandalizmu
- Gdzie urządzenie nie będzie miało kontaktu z białym skutek ustępowania wody
- Gdzie nie dojdzie do formowania się lodu wokół urządzenia lub czujników

Aby zamontować urządzenie do:

- Pławy – użyć oznakowanych pław, które nie będą prowokować aktów wandalizmu.
- Konstrukcji – mocować urządzenie do ściany palowej po stronie zabezpieczonej przed nurtem, aby zapobiec uszkodzeniu przez pływające materiały. Patrz [Rysunek 11](#). Ostrożnie zamocować pasy, np. sieci z pasów taśmowych i szerokie plastikowe opaski zaciskowe na obu końcach obudowy urządzenia. W ten sam sposób zamocować kabel pomiarowy (jeśli występuje), chroniąc go przed uszkodzeniem przez pływające materiały. Urządzenie i kabel powinny być zamontowane w możliwie niewidoczny sposób. Pozwoli to chronić je przed aktami wandalizmu.

Rysunek 11 Mocowanie urządzenia do konstrukcji



Konserwacja

▲ UWAGA



Wiele zagrożeń. Tylko wykwalifikowany personel powinien przeprowadzać prace opisane w tym rozdziale niniejszego dokumentu.

▲ UWAGA



Zagrożenie uszkodzenia ciała. Z powodu wzrostu ciśnienia wewnątrz urządzenia części zdejmowalne mogą odłączyć się z dużą siłą w momencie demontażu. Powoli luzować i wyjmować części. Części należy kierować z dala od ludzi oraz zakładać odpowiednie wyposażenie ochronne podczas czynności konserwacyjnych lub serwisowych.

POWIADOMIENIE

Nie demontować urządzenia bez zgody producenta w celu konserwacji. Skontaktuj się z producentem, gdy elementy wewnętrzne wymagają czyszczenia lub naprawy.

POWIADOMIENIE

Przechowywać urządzenie w miejscu, w którym czujniki nie ulegną zmrożeniu lub uszkodzeniu.

Czyszczenie obudowy i osłony czujników

POWIADOMIENIE

Aby zapobiec uszkodzeniu niektórych czujników i urządzenia, do ich czyszczenia nie używać rozpuszczalników, które mogą rozpuścić tworzywo sztuczne.

Obudowę urządzenia i osłonę czujników należy sprawdzać w regularnych odstępach czasu. W razie konieczności, obudowę i osłonę czujników należy wyczyścić, usuwając wszelkie zabrudzenia i osady.

1. Zdjąć osłonę czujnika z urządzenia.
2. Nalać co najmniej 2,5 cm (1 cal) buforu pH 4 lub czystej wody z kranu do kubka kalibracyjnego.
3. Zamontować pojemnik/miseczkę kalibracyjną na urządzenie.
4. Wyczyścić obudowę i osłonę czujników przy użyciu:
 - Delikatnego środka czyszczącego
 - Nietoksycznego środka odtłuszczającego, takiego jak Simple Green® (zarejestrowany znak towarowy firmy Sunshine Makers, Inc.)
 - Ciepłej wody
 - Czystej, miękkiej szczoteczki do zębów
 - Miękkiej szmatki oraz/lub patyczków higienicznych

Jeśli to konieczne, moczyć osłonę czujników i/lub obudowę w wodzie przez co najmniej 30 minut, aby umożliwić delikatne i łatwe usunięcie zanieczyszczeń.

5. Przepłukać obudowę i osłonę czujników czystą wodą.

Czyszczenie czujników

Czujniki należy sprawdzać w regularnych odstępach czasu pod kątem niepożądanych osadów (nieorganicznych oraz drobnoustrojów) oraz ewentualnych uszkodzeń. Wszelkie zabrudzenia należy niezwłocznie usunąć. Ponadto czujnik należy wyczyścić jeśli jego wskazania wyglądają na niewiarygodne. Instrukcje czyszczenia znajdują się w dokumentacji czujnika.

Wymienić wszystkie uszkodzone elementy. Wymienić części z osadami (opadowe i/lub drobnoustroje), które wpływają na wskazania i nie można ich usunąć. Instrukcje konserwacji znajdują się w dokumentacji czujnika.

Wymiana baterii(s)

⚠ OSTRZEŻENIE



Zagrożenie wybuchem. Zużyte baterie mogą powodować gromadzenie się wodoru wewnątrz urządzenia. Baterie należy wymieniać przed upływem daty ważności. Urządzenia nie należy składować przez dłuższy czas z podłączoną baterią. Usuwać baterie zgodnie z przepisami lokalnymi, regionalnymi i państwowymi.

W przypadku sond HL4 z wewnętrznym modulem baterii, należy wymienić dostarczoną baterię alkaliczną typu D przy niskim poziomie jej naładowania. Patrz [Rysunek 5](#) na stronie 208.

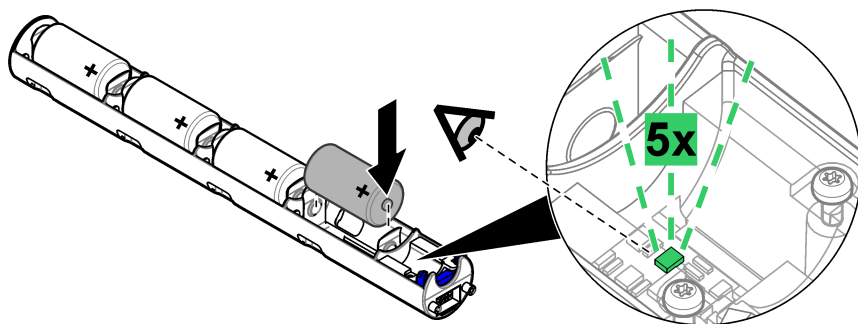
W przypadku sond HL7, należy wymienić dostarczone cztery baterie alkaliczne typu D przy niskim poziomie jej naładowania. Patrz [Instalacja baterii — sonda HL7](#) na stronie 208. Należy upewnić się, że po zainstalowaniu ostatniej baterii kontrolka baterii błyska zielonym światłem. Patrz [Rysunek 12](#). Jeśli kontrolka baterii błyska czerwonym światłem, bateria nie ma wystarczającego zapasu energii.

Uwaga: Poziom naładowania baterii jest wyświetlany w górnym oknie oprogramowania operacyjnego Hydrolab.

Należy upewnić się, że po otwarciu komory baterii sonda jest ułożona poziomo, aby utrzymywać wodę znajdującą się na osłonie na zewnątrz komory baterii. Jeśli woda przedostanie się do pojemnika na baterię, należy ją usunąć i całkowicie wysuszyć pojemnik ręcznikiem. Przed użyciem należy pojemnik na baterię dokładnie wysuszyć na powietrzu w celu ochrony przed korozją.

Uwaga: Wymiana zegara wewnętrznej baterii nie jest możliwa przez użytkownika bez zgody producenta.

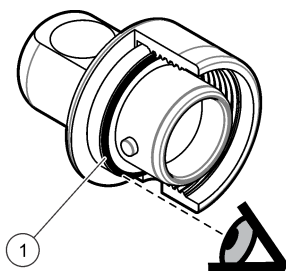
Rysunek 12 Kontrolka świetlna baterii



Sprawdzić stan pierścieni o-ring i uszczelkek

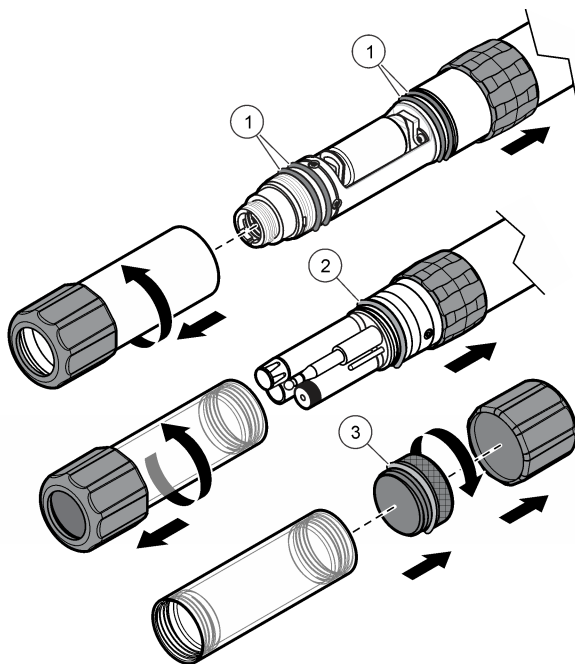
1. W regularnych odstępach czasu sprawdzać stan pierścieni o-ring i uszczelkek w nakrętce zabezpieczającej pod kątem zabrudzeń, zużycia czy uszkodzenia. Patrz punkty od [Rysunek 13](#) do [Rysunek 15](#).
2. Usunąć niepożądane materiały z pierścieni o-ring i uszczelkek.
3. Wymienić wszystkie pierścienie o-ring z widocznymi uszkodzeniami lub zużyte (np. pęknięcia lub brakujące elementy). Wymienić pierścienie o-ring na te dostarczone wyłącznie od producenta.
4. Zastosować smar silikonowy do pierścieni o-ring, aby zapobiec ich sklepaniu i zmianie pozycji.
5. Wymienić nakrętkę zabezpieczającą, gdy widoczne jest uszkodzenie lub zużycie uszczelki.

Rysunek 13 Miejsce uszczelek



1 Uszczelka nakrętki zabezpieczającej

Rysunek 14 Lokalizację pierścieni O-ring — sonda HL4

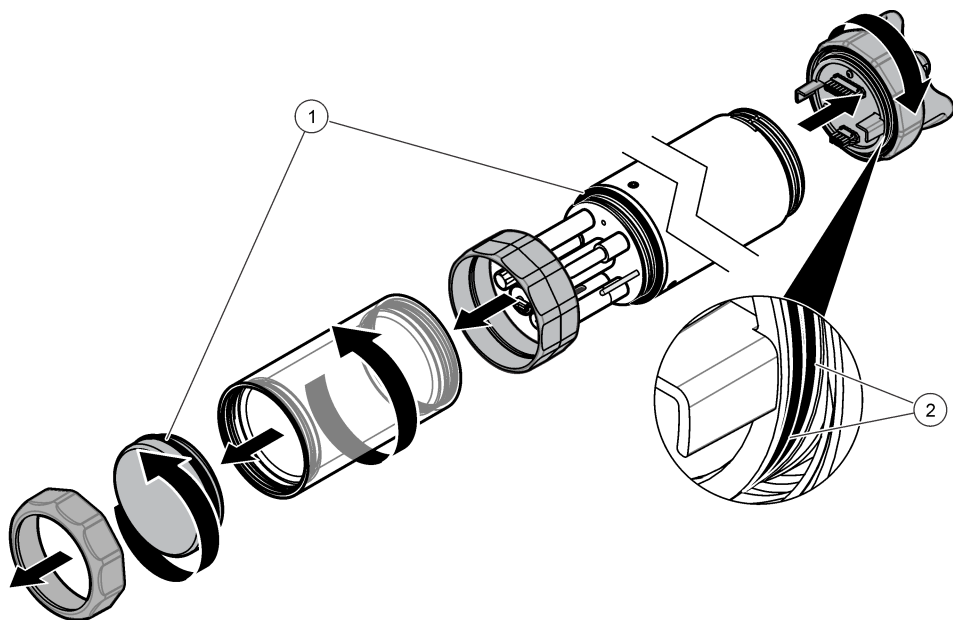


1 O-ring pojemnika na baterie (4x)

2 O-ring kubka kalibracyjnego

3 O-ring pojemnika kalibracyjnego

Rysunek 15 Lokalizacje pierścieni O-ring — sonda HL7



1 Pierścienie O-ring kubka kalibracyjnego (2x)

2 O-ring pojemnika na baterie (2x)

Przygotowanie do magazynowania lub transportu

POWIADOMIENIE

Przechowywać urządzenie w miejscu, w którym woda w pojemniku/miseczce kalibracyjnej nie zamarznie i nie zostanie uszkodzony czujnik.

POWIADOMIENIE

Nie przechowywać czujników w wodzie dejonizowanej lub środkach czyszczących, gdyż może dojść do ich uszkodzenia.

POWIADOMIENIE

Nie przechowywać czujnika mętności lub fluorymetru w buforze z barwnym wskaźnikiem pH, gdyż może dojść do ich uszkodzenia.

POWIADOMIENIE

Nie przechowywać czujników w próbce wody w terenie przez dłuższy czas, ponieważ może wystąpić wzrost drobnoustrojów i zanieczyszczeń czujników.

1. Oplukać urządzenie i czujniki z czystej wody.
2. Zdjąć osłonę czujnika i zamontować pojemnik/miseczkę kalibracyjną. Nalać co najmniej 2,5 cm (1 cal) buforu pH 4 lub czystej wody z kranu do pojemnika/miseczki kalibracyjnej. Patrz [Rysunek 16](#).

Uwaga: Rysunek 16 przedstawia sondę HL4. Czynności są identyczne, co w przypadku sondy HL7.

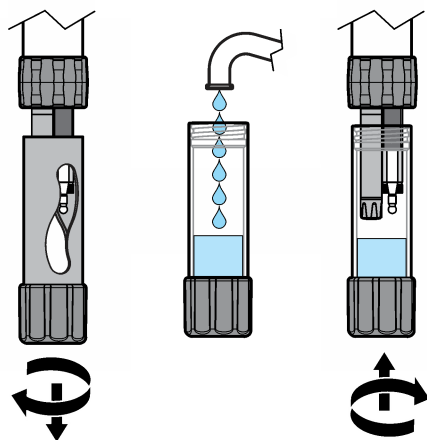
Uwaga: Nie jest konieczne, aby czujniki były w buforze pH lub w wodzie.

Uwaga: Nie przechowywać czujnika rozpuszczonego gazu całkowitego w warunkach wilgotnych, gdyż jego membrana może ulec uszkodzeniu.

3. Upewnić się, że na kubku kalibracyjnym założony jest gumowy pierścień ochronny.

4. Zamontować nakrętkę zabezpieczającą na złącze, aby pozostało czyste i suche.
5. Umieścić wszystkie kable, które nie są wodoodporne (wszystkie kable z wyjątkiem kabla pomiarowego) w suchym pojemniku. Nie umieszczać kabli w zwojach o średnicy mniejszej niż 30,5 cm (12 cali), gdyż może dojść do ich uszkodzenia.
6. Wyczyścić czujniki. Instrukcje znajdują się w dokumentacji czujnika.
7. Podczas przechowywania przez długi okres czasu, wyjąć wewnętrzne baterie typu D. Zobacz [Rysunek 5](#) na stronie 208 lub [Instalacja baterii — sonda HL7](#) na stronie 208. Nie są wymagane żadne specjalne czynności przygotowujące czujniki do długotrwałego przechowywania.

Rysunek 16 Przygotowanie do przechowywania lub transportu



Przygotowanie do użycia po długim okresie przechowywania

Po okresie przechowywania czujnika co najmniej przez 1 miesiąc,

1. Wymienić elektrolit w czujnikach (jeśli jest).
2. Skalibrować czujniki. Patrz [Kalibracja](#) na stronie 210.

Nawodnienie czujników

Jeśli czujniki wyschły, przed użyciem należy moczyć je w wodzie.

Uwaga: Nie przechowywać czujnika TDG (gaz rozpuszczony) w warunkach wilgotnych, gdyż jego membrana może ulec uszkodzeniu.

Rozwiązywanie problemów

Informacje na temat rozwiązywania problemów znajdują się w *Instrukcji oprogramowania operacyjnego Hydrolab Operating Software*. Aby wyświetlić *Instrukcję oprogramowania operacyjnego Hydrolab Operating Software*, należy uruchomić oprogramowanie operacyjne Hydrolab, kliknąć opcję Help (Pomoc) oraz opcję Hydrolab Operating Software Help (Pomoc oprogramowania operacyjnego Hydrolab).

Części zamienne i akcesoria

▲ OSTRZEŻENIE



Zagrożenie uszkodzenia ciała. Stosowanie niezatwierdzonych części grozi obrażeniami ciała, uszkodzeniem urządzenia lub nieprawidłowym działaniem osprzętu. Części zamienne wymienione w tym rozdziale zostały zatwierdzone przez producenta.

Uwaga: Numery produktów i części mogą być różne w różnych regionach. Skontaktuj się z odpowiednim dystrybutorem albo znajdź informacje kontaktowe w witrynie internetowej firmy.

Części zamienne — sonda HL4

Opis	Numer pozycji
Rękaw obudowy baterii, Sonda HL4	9047300
Pokrywa złączy baterii, Sonda HL4	9032000
Gumowy pierścień ochronny, końcowy, Sonda HL4	9383100
Gumowy pierścień ochronny, środkowy, Sonda HL4	9383200
Kubek kalibracyjny, Sonda HL4	9040900
Pierścień O-ring, komora baterii, sonda HL4 ¹⁷	9048400
Pierścień o-ring, kubek kalibracyjny, Sonda HL4	002811
Zestaw do konserwacji, czujnik zmętnienia z wycierakiem, sonda HL4	9480800
Ośłona czujników, standard, Sonda HL4	9383700
Ośłona czujników, standard z obciążnikiem, Sonda HL4	9044100
Ośłona czujników, przedłużona, Sonda HL4	9383800
Ośłona czujników, przedłużona z obciążnikiem, Sonda HL4	8734500
Obciążnik osłony czujników, sonda HL4	9383900
Pudełko, sonda HL4	9309100
Kubek kalibracyjny, standard, Sonda HL4	003306
Kubek kalibracyjny, przedłużony, Sonda HL4	003395HY

Części zamienne — sonda HL7

Opis	Numer elementu
Moduł baterii	MODUŁ BAT. HL7
Nakrętka, kubek kalibracyjny, sonda HL7	003609HY
Pierścień O-ring, kubek kalibracyjny i nakrętka, sonda HL7	000568
Ośłona czujników z obciążnikiem, sonda HL7	8457100
Pudełko, sonda HL7	8490400
Kubek kalibracyjny, sonda HL7	003608
Zestaw do konserwacji, czujnik zmętnienia z centralną szczotką czyszczącą i wycierakiem, sonda HL7	9480900

¹⁷ Cztery są wymagane w przypadku sondy HL4.

Części zamienne — sondy HL4 i HL7

Opis	Numer elementu
Kabel kalibracyjny	9310600
Nasadka przeciwkurzowa, złącze USB A	9046200
Nasadka przeciwkurzowa, złącze 5-stykowe	9046100
Nasadka przeciwkurzowa, złącze zasilania DC	9046000
Moduł komunikacyjny, USB	6748600
Oprogramowanie operacyjne Hydrolab Operating Software, DVD	9512900
Zestaw do konserwacji, standardowa elektroda porównawcza, następujące elementy w zestawie: Pierścień O-ring (000467HY), tabletki soli (005376HY), łącznik z PTFE (000548HY) i roztwór elektrolitu (005308HY)	014660HY
Zestaw do konserwacji, zestaw wymiany nakrętki, czujnik LDO	007460
Zestaw do konserwacji, czujnik pH z wbudowaną elektrodą porównawczą, zestaw zawiera: pierścień O-ring (003396HY), strzykawka, śrubokręt ¼ cala, tabletki soli (005376HY), łącznik z PTFE (002770HY), roztwór elektrolitu (005308HY)	013410HY
Nakrętka zabezpieczająca	9310500
Zasilacz, AC	002782
Smar silikonowy, 0,25 uncji	000298HY

Akcesoria

Opis	Numer pozycji
Moduł komunikacyjny, USB	6748600
Moduł komunikacyjny, SDI-12	9039600
Moduł komunikacyjny, RS485 Modbus	9039700
Moduł komunikacyjny, RS232 Modbus	9039800
Moduł komunikacyjny, RS232 TTY	9312900
Zestaw nasadki przeciwkurzowej, moduły komunikacyjne, zestaw zawiera:	8808200
Nasadka przeciwkurzowa, złącze zasilania DC	9046000
Nasadka przeciwkurzowa, złącze 5-stykowe	9046100
Nasadka przeciwkurzowa, złącze USB A	9046200
Nasadka przeciwkurzowa, złącze DB9	9045900
Kabel pomiarowy, 5 m	CZ005
Kabel pomiarowy, 10 m	CZ010
Kabel pomiarowy, 15 m	CZ015
Kabel pomiarowy, 25 m	CZ025
Kabel pomiarowy, 30 m	CZ030
Kabel pomiarowy, 50 m	CZ050
Kabel pomiarowy, 75 m	CZ075

Aksesoria (ciąg dalszy)

Opis	Numer pozycji
Kabel pomiarowy, 100 m	CZ100
Kabel pomiarowy, 150 m	CZ150
Kabel pomiarowy, 200 m	CZ200
Nakrętka kabla pomiarowego, końcówka mokra	9714500
Cela przepływowa, HL4	014880
Cela przepływowa, HL4 z przedłużonym czujnikiem	013520HY
Cela przepływowa, HL7	014120



OTT Hydromet

5600 Lindbergh Drive
Loveland, CO 80538 U.S.A.
Tel. (970) 669-3050
(800) 949-3766 (U.S.A. only)
Fax (970) 461-3921
sales@otthydromet.com
www.ott.com



OTT Hydromet

Ludwigstrasse 16
87437 Kempten, Germany
Tel. +49 (0)8 31 5617-0
Fax +49 (0)8 31 5617-209
info@ott.com
www.ott.com